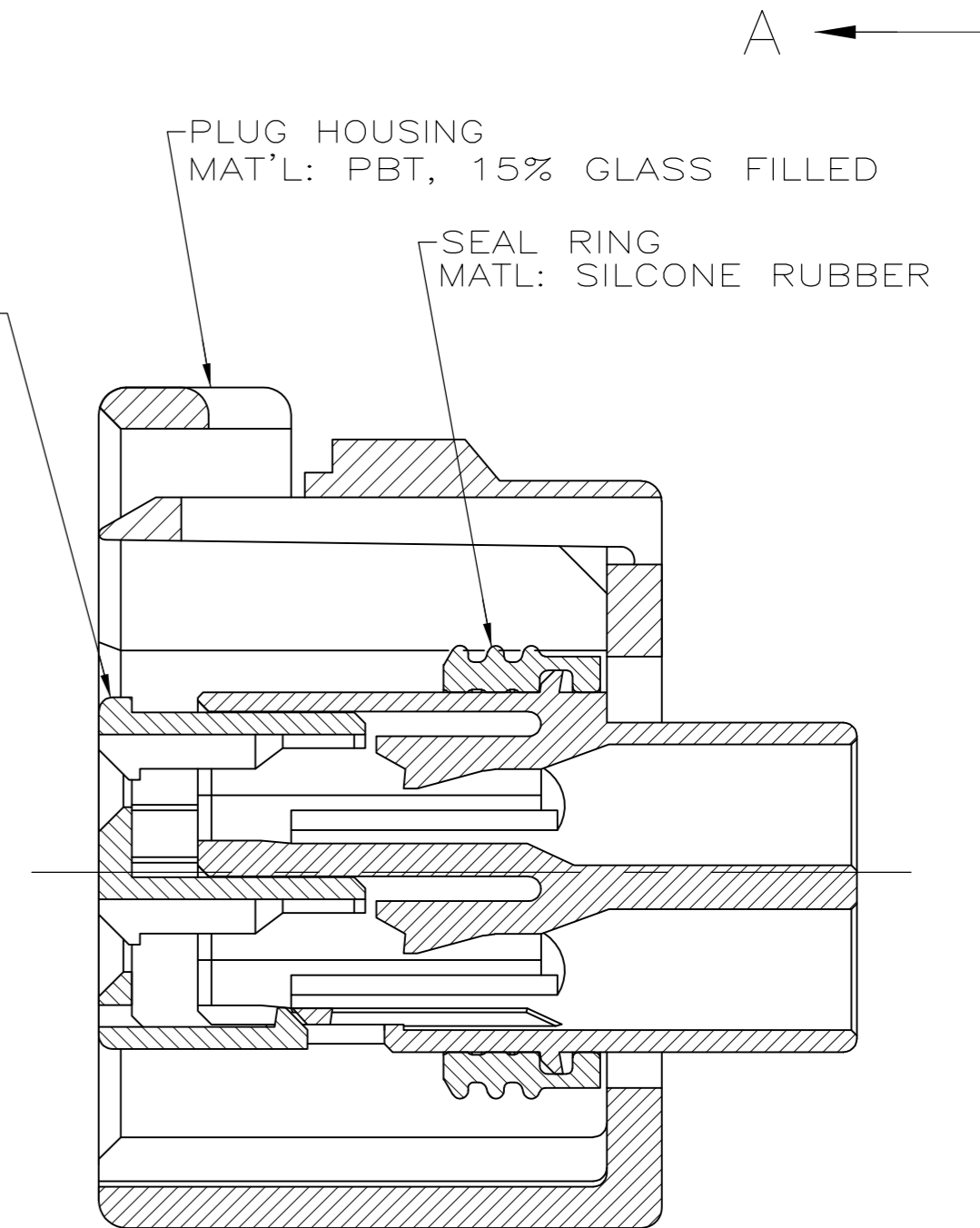
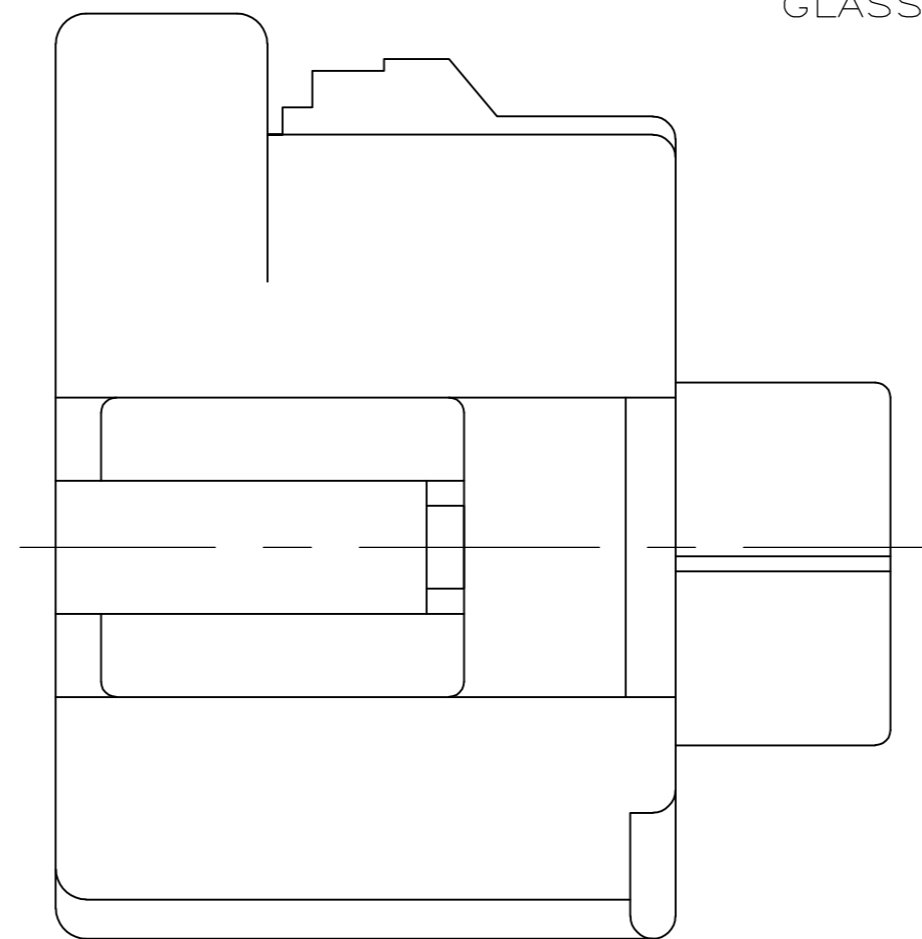
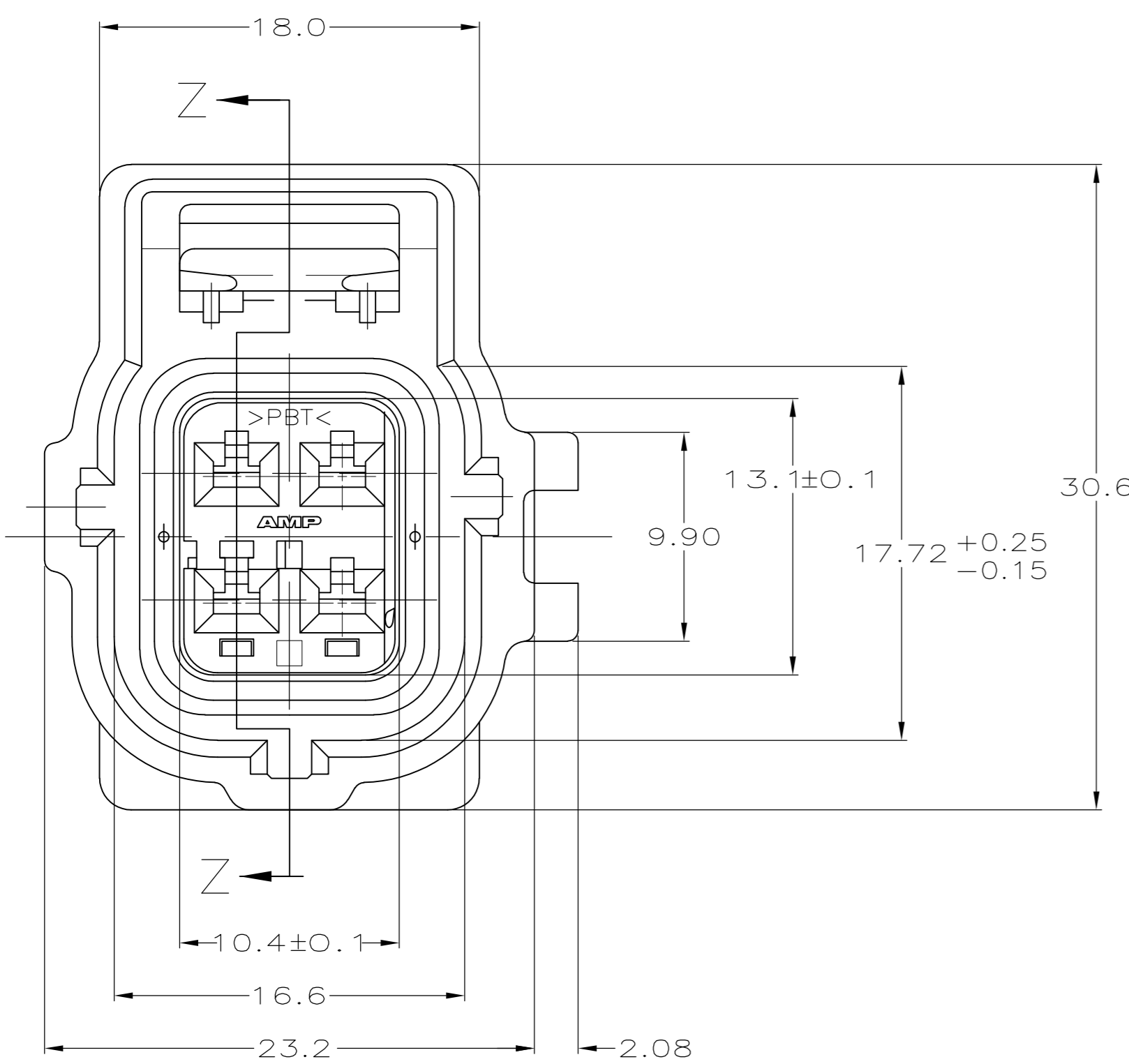
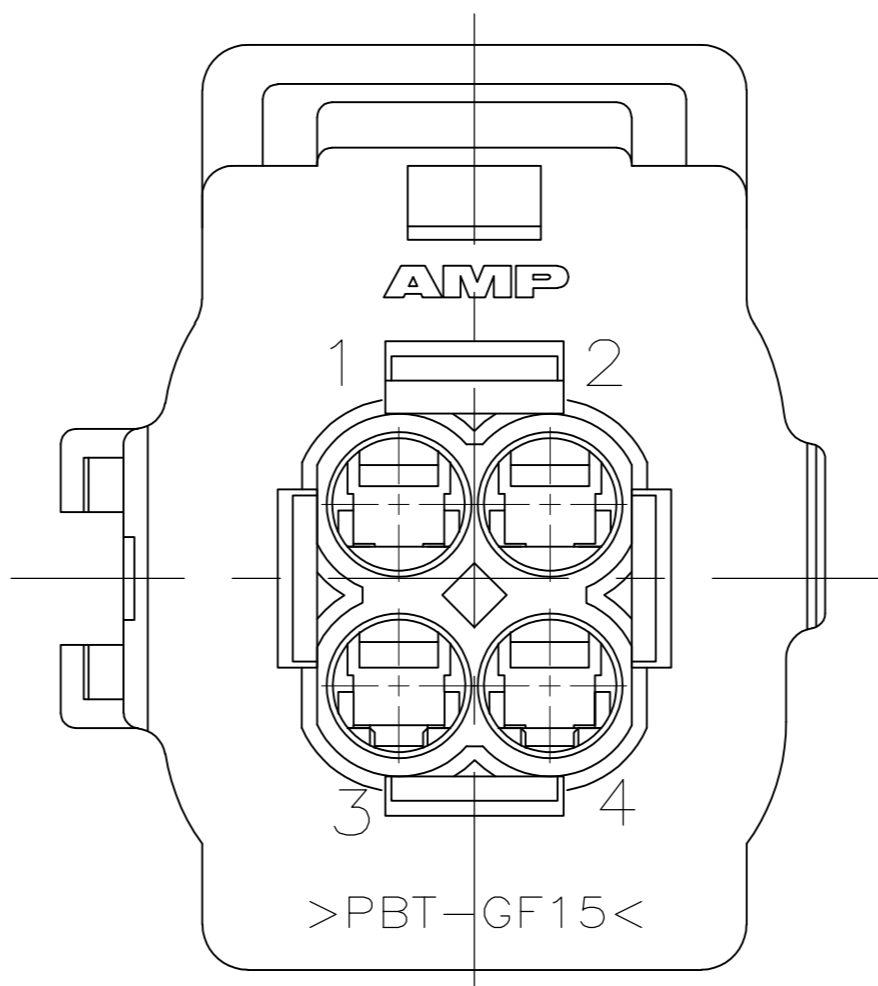
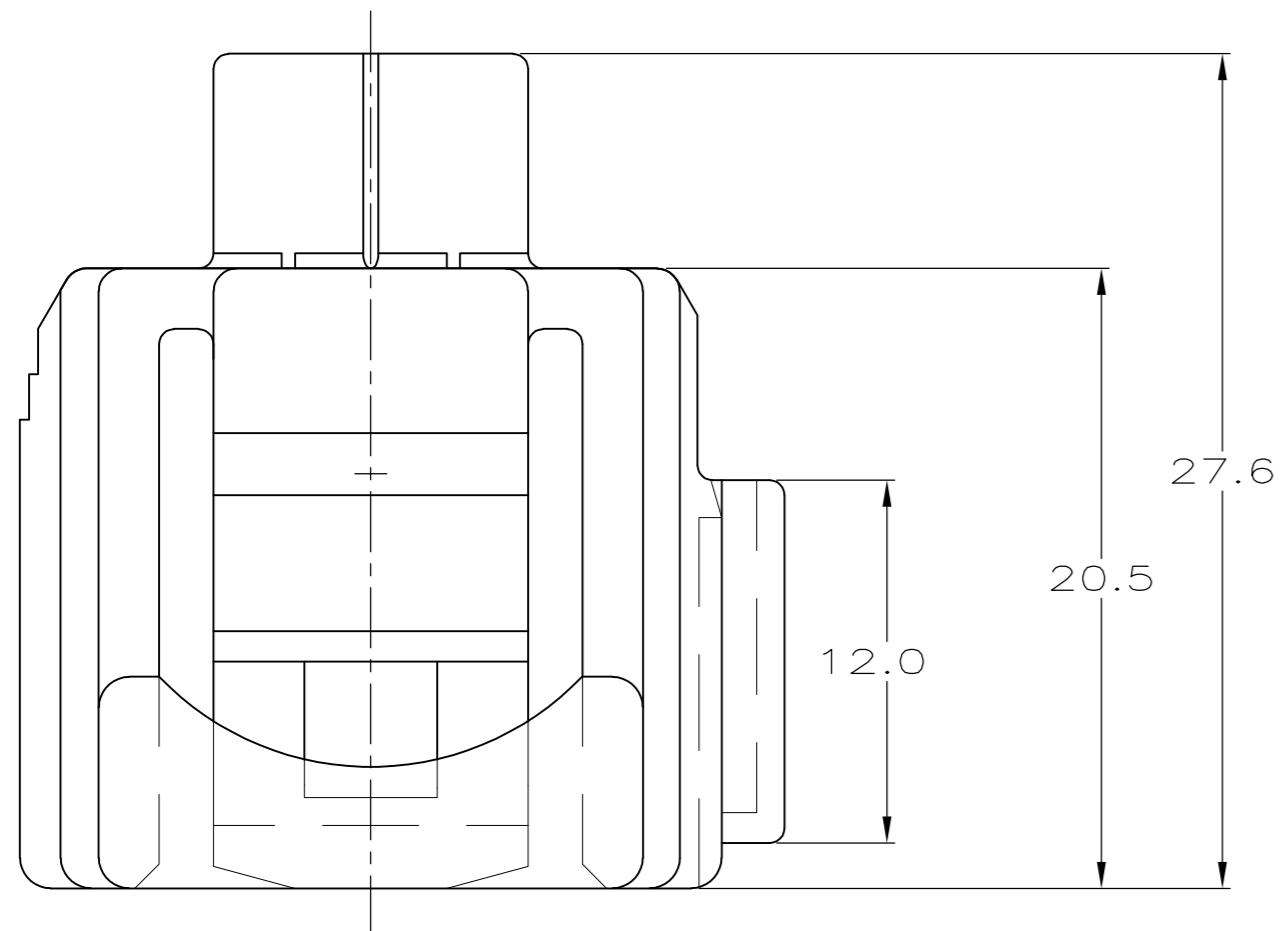


THIS DRAWING IS UNPUBLISHED. RELEASED FOR PUBLICATION
 © COPYRIGHT BY TYCO ELECTRONICS CORPORATION. ALL INTERNATIONAL RIGHTS RESERVED.

LOC	DIST	REVISIONS			
P	LTR	DESCRIPTION	DATE	DWN	APVD
GE	00				
B		REVISED PER ECO-09-008507	09APR2009	DD	MB



SECTION Z-Z
SCALE 4:1

BLACK	184394-1
PLUG COLOR	PART NUMBER

THIS DRAWING IS A CONTROLLED DOCUMENT.		DWN	AJ GRAFF	16MAY01	Tyco Electronics Corporation Harrisburg, PA 17105-3608
DIMENSIONS: mm		CHK	K COBLE	16MAY01	
TOLERANCES UNLESS OTHERWISE SPECIFIED:		APVD	K COBLE	16MAY01	
0 PLC ± - 1 PLC ± 0.3 2 PLC ± 0.15 3 PLC ± - 4 PLC ± - ANGLES ± - FINISH -		PRODUCT SPEC			
MATERIAL		APPLICATION SPEC			NAME
		WEIGHT	-		2 X 2 PLG ASY KEY A-C3 W/MULTI
		CUSTOMER DRAWING			SIZE
					A2
					CAGE CODE
					00779
					DRAWING NO
					C=184394
					RESTRICTED TO
					-
					SCALE
					4:1
					SHEET
					1 OF 1
					REV
					B