

4

3

2

1

THIS DRAWING IS UNPUBLISHED.

RELEASED FOR PUBLICATION

© COPYRIGHT

ALL RIGHTS RESERVED.

LOC

DIST

REVISIONS

DS

P

LTR

DESCRIPTION

DATE

DWN

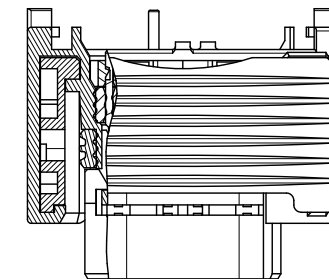
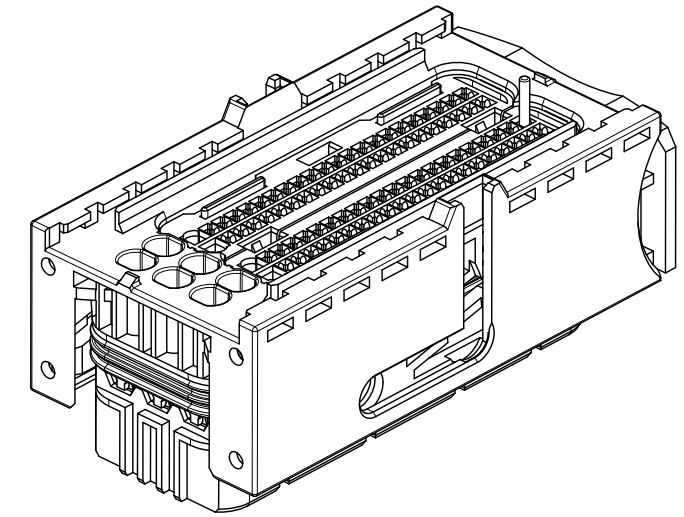
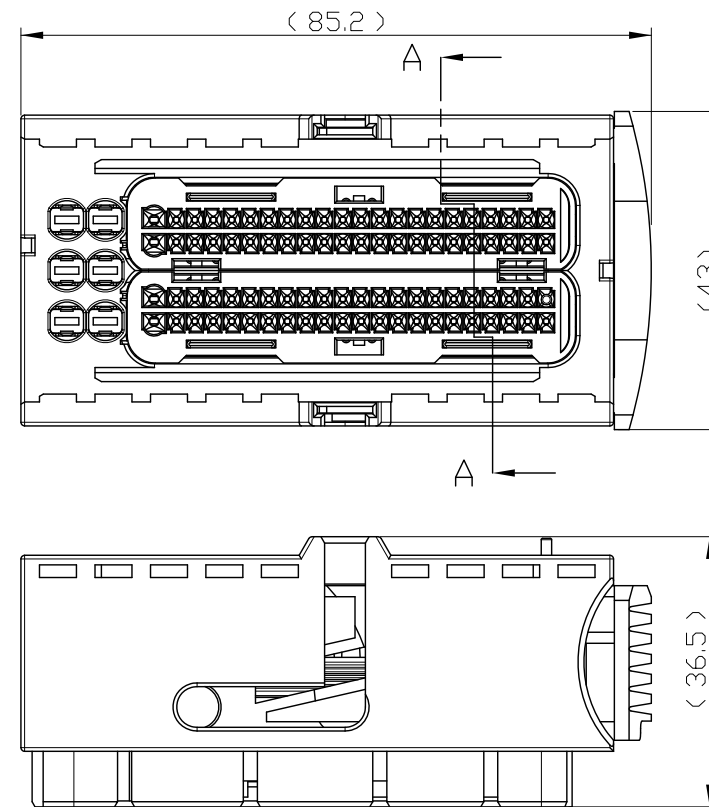
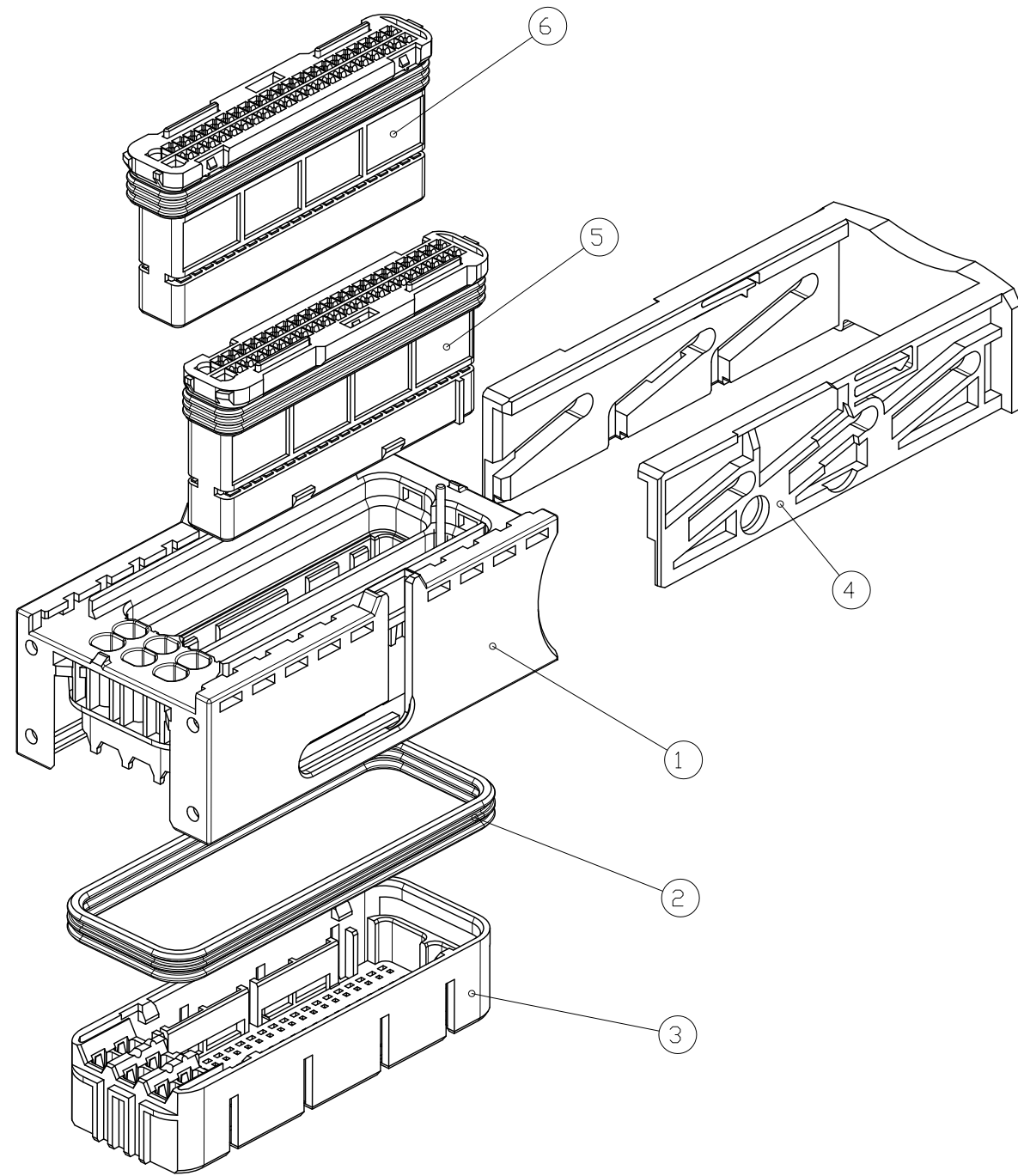
APVD

A RELEASED

10.FEB.14

YH

HG



Notes

- 1. MATING PART EXECUTION ACC. TO 114-18304-001
- 2. SUITABLE RETAINERS: 1-1355134-1, 1-1355135-1
- 3. SUITABLE CONTACTS:

CONTACT NAME	WIRE SIZE RANGE (mm ²)	DIAMETER OF INSULATION (mm)	TERMINAL PART NUMBER	SING WIRE SEAL	CAVITY PLUG
MQS	0.35~0.5	∅1.4~∅1.6	968220(2005119)	N/A	1394871-1
	0.5~0.75	∅1.6~∅1.9	968221(2005120)	N/A	(1897421-2)
MQS 1.5	0.5	∅1.6~∅1.7	1452158	N/A	1394872-1
	0.75~1.5	∅1.7~∅2.4	1241608	N/A	(1897422-1)
MCP 2.8k	0.5~1.0	∅1.4~∅2.1	1241394	828904-1	828922-1
	>1.0~2.5	∅2.2~∅3.0	1241396	828905-1	

ASS'Y NO.	NO.	FINISH/COLOR	MATERIAL	DESCRIPTION	QTY
1897634-2	6	BROWN/RED-BROWN	PA66-GF/SILICONE	CONTACT MODUL. COD. B	1
	5	BLACK/RED-BROWN	PA66-GF/SILICONE	CONTACT MODUL. COD. A	1
	4	BLACK	PA66-GF33	SLIDE	1
	3	BLACK	PBT+ASA-GF20	CAVITY BLOCK	1
	2	NATURAL	SILICONE	SEALING	1
	1	BLACK	PBT+ASA-GF20	CARRIER HOUSING	1

THIS DRAWING IS A CONTROLLED DOCUMENT.

DWN YH MA

CHK KT LIM

APVD HG CHD

PRODUCT SPEC

APPLICATION SPEC

WEIGHT

CUSTOMER DRAWING

TE Connectivity

NAME: CARRIER HSG 94POS., ASS'Y

SIZE: A3 CAGE CODE: 00779 DRAWING NO: 1897634 RESTRICTED TO

SCALE: 1:1 SHEET: 1 OF 1 REV: A

DIMENSIONS: MM

TOLERANCES UNLESS OTHERWISE SPECIFIED:

± DECIMALS: ±0.5

± ANGLES: ±3°

3rd ANGLE PROJECTION

MATERIAL

FINISH

PLC 1 PLC 2 PLC 3 PLC 4 PLC ANGLES