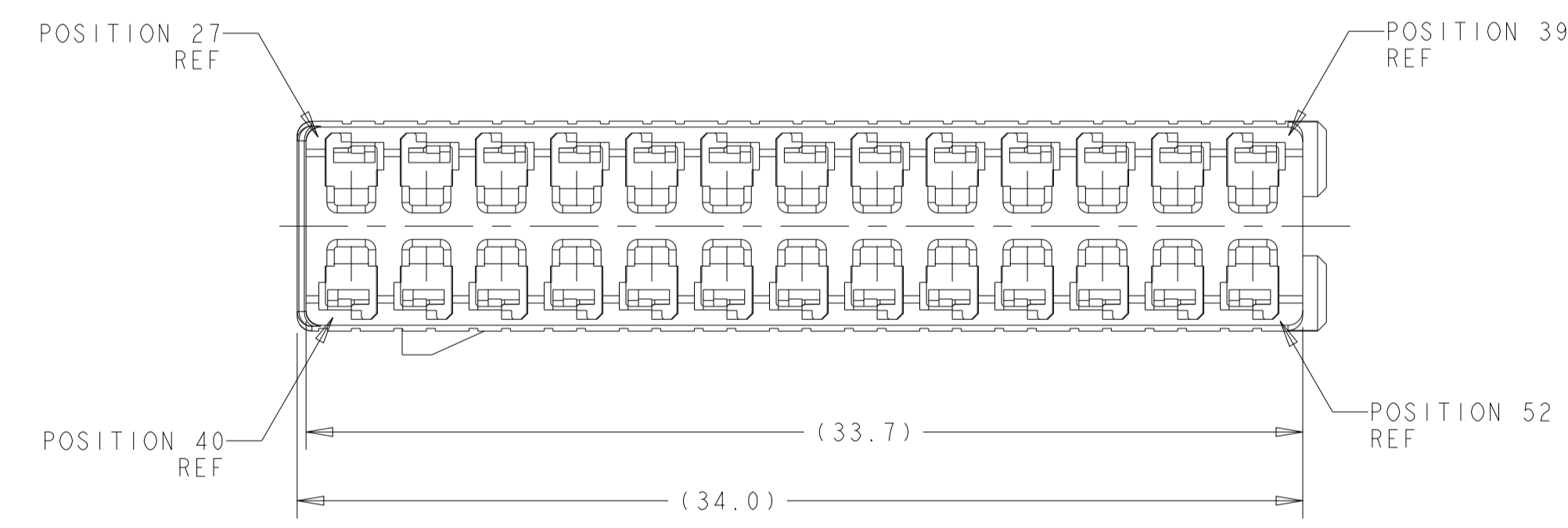
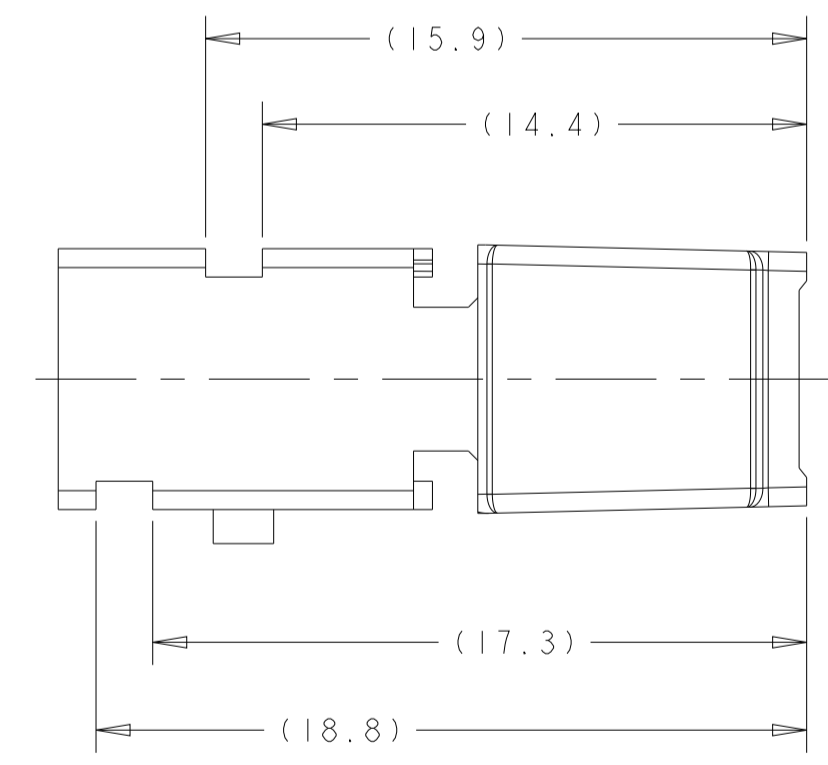
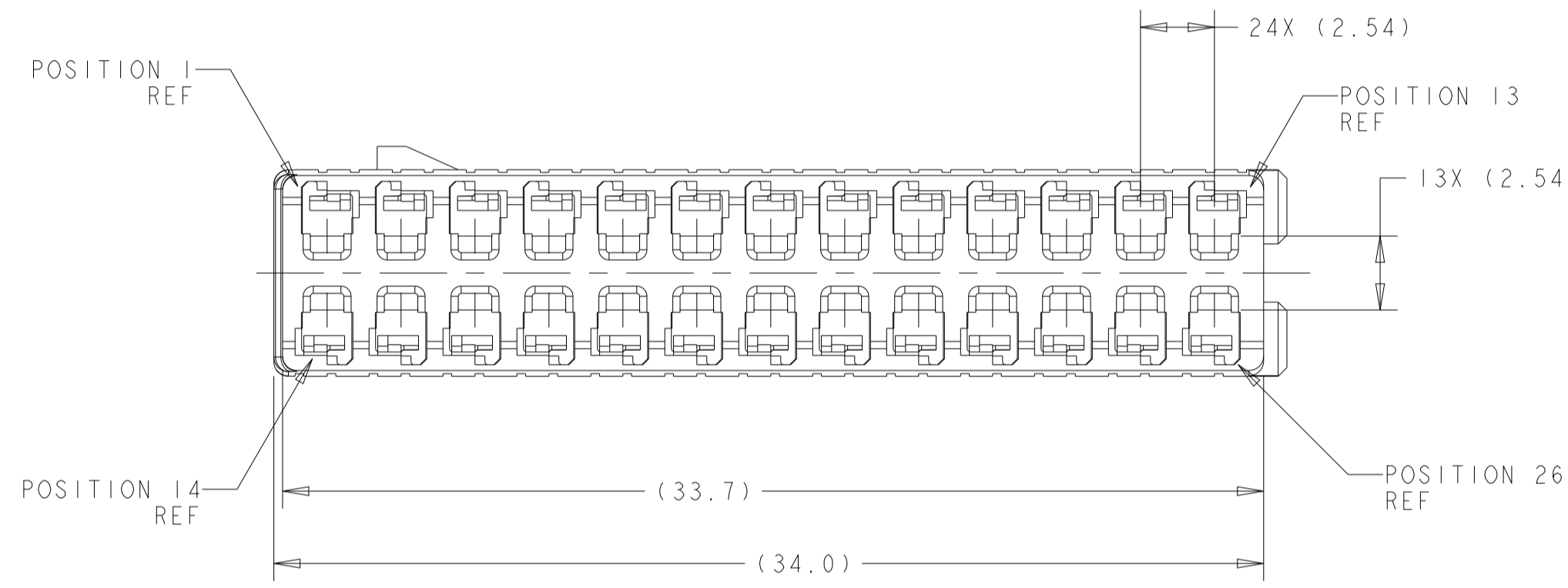
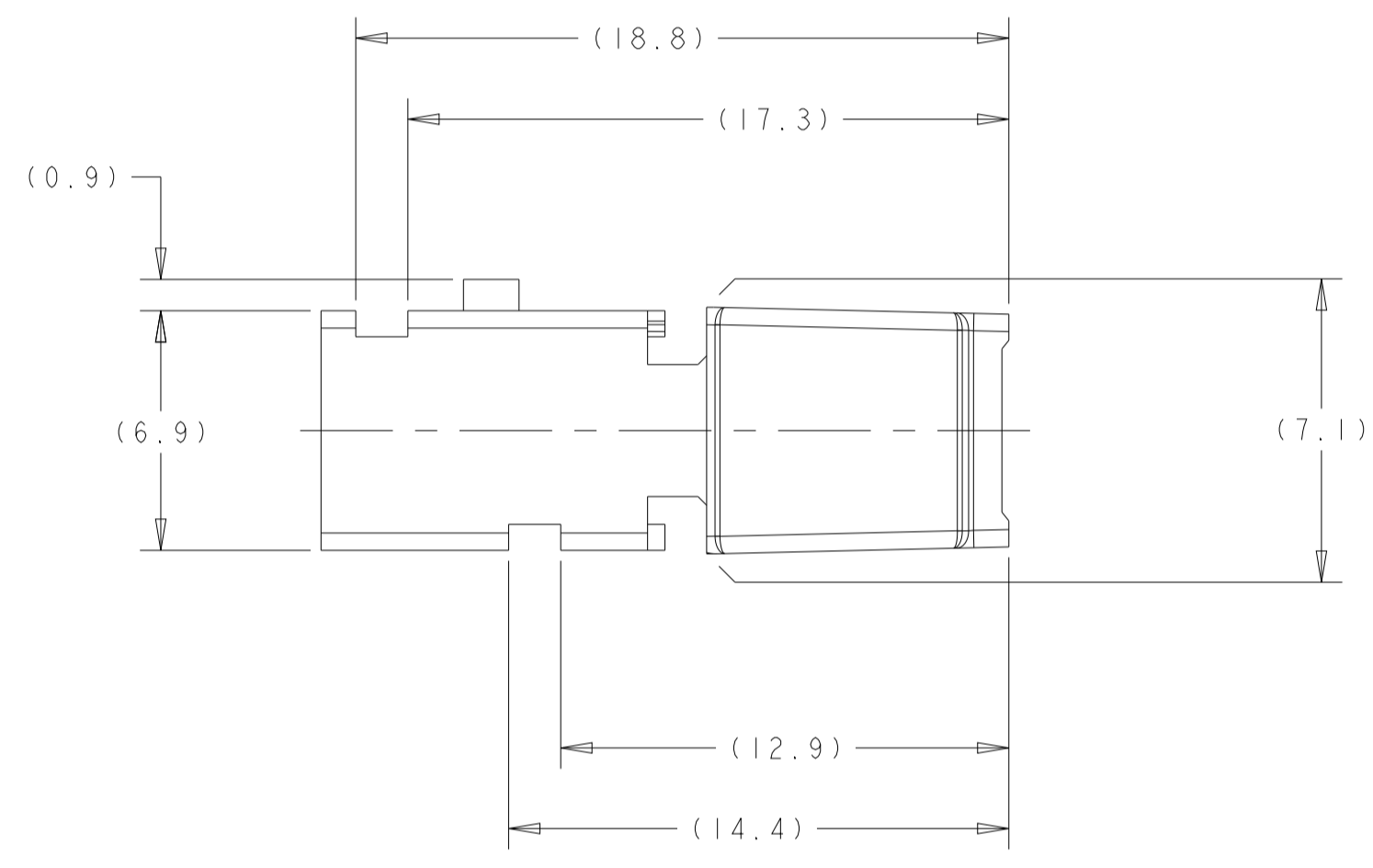
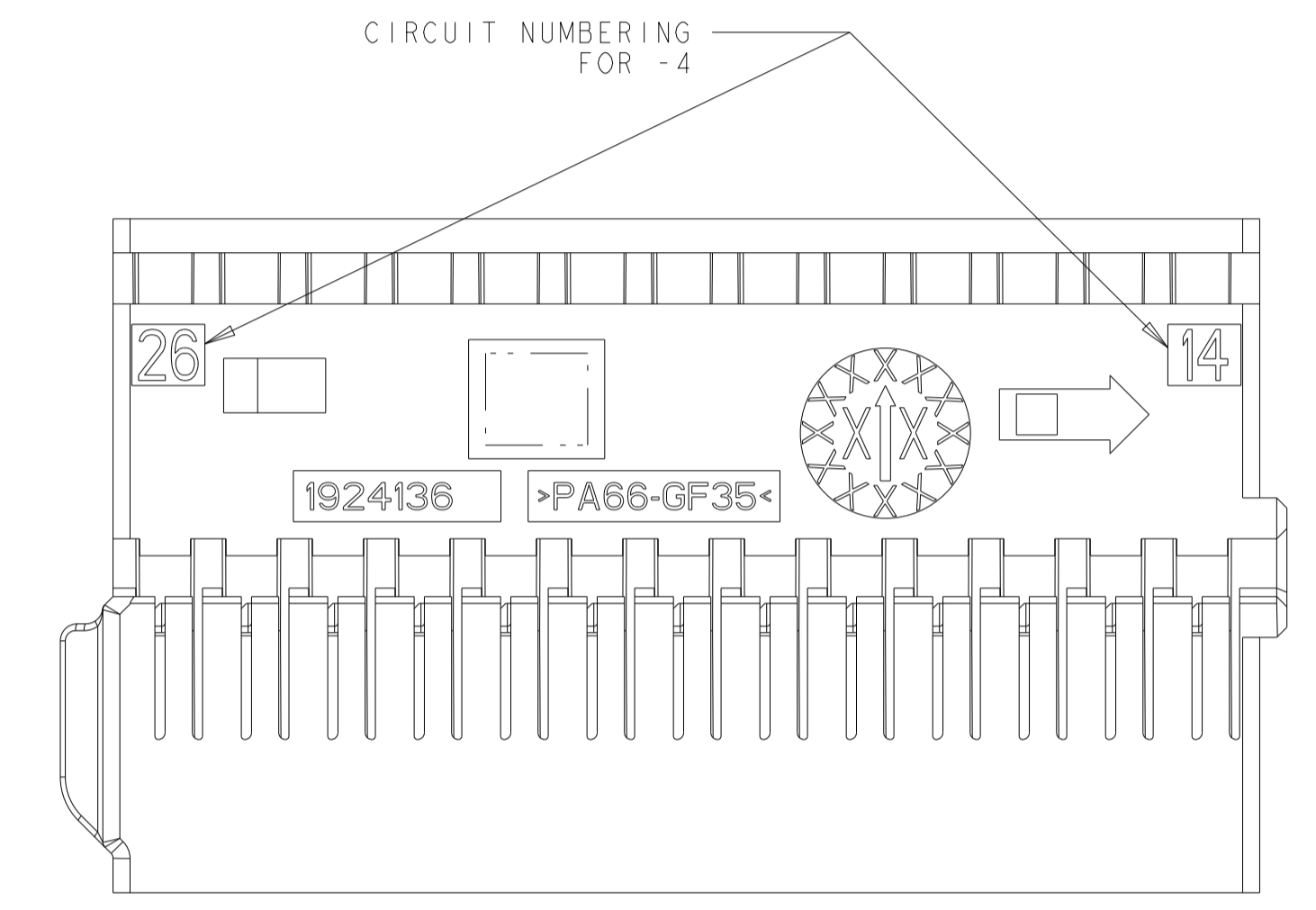
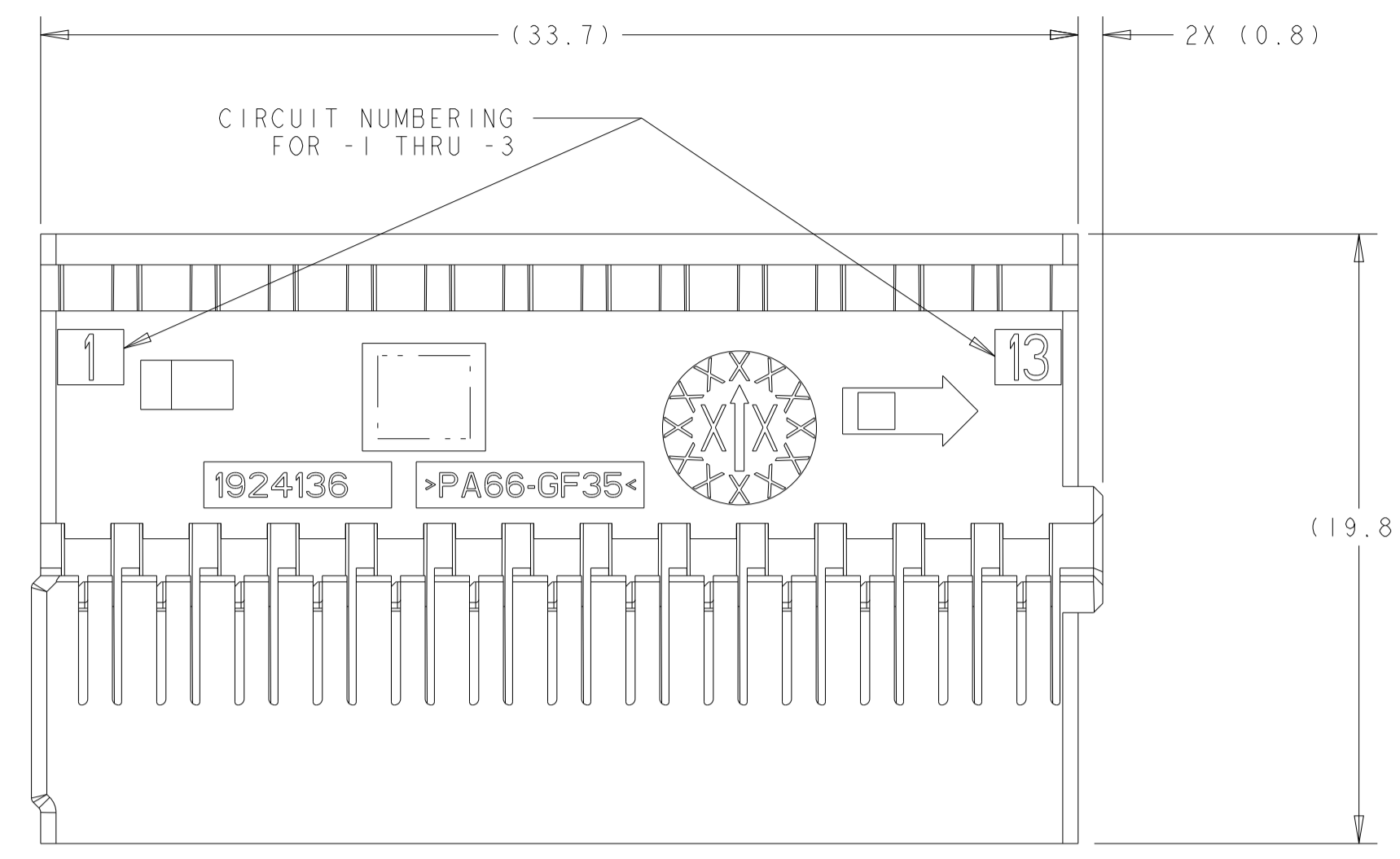


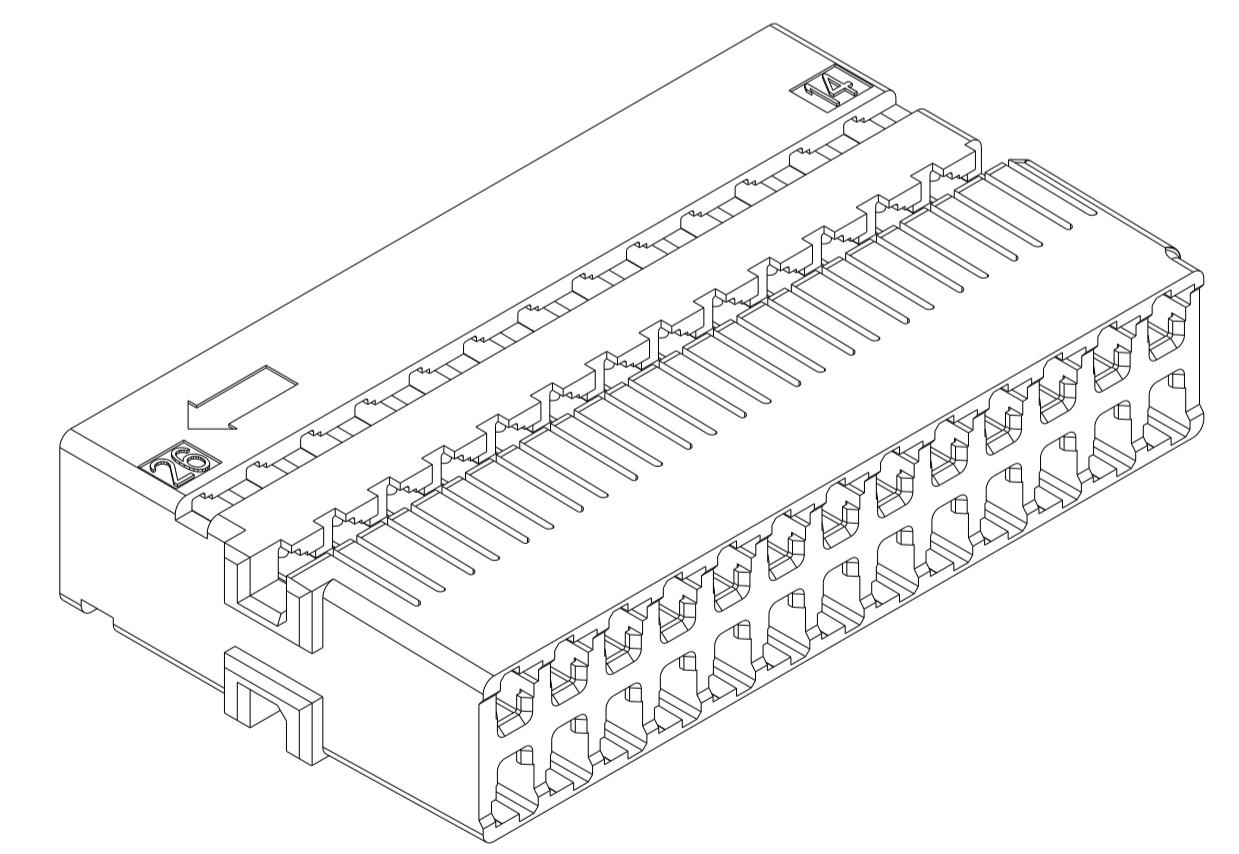
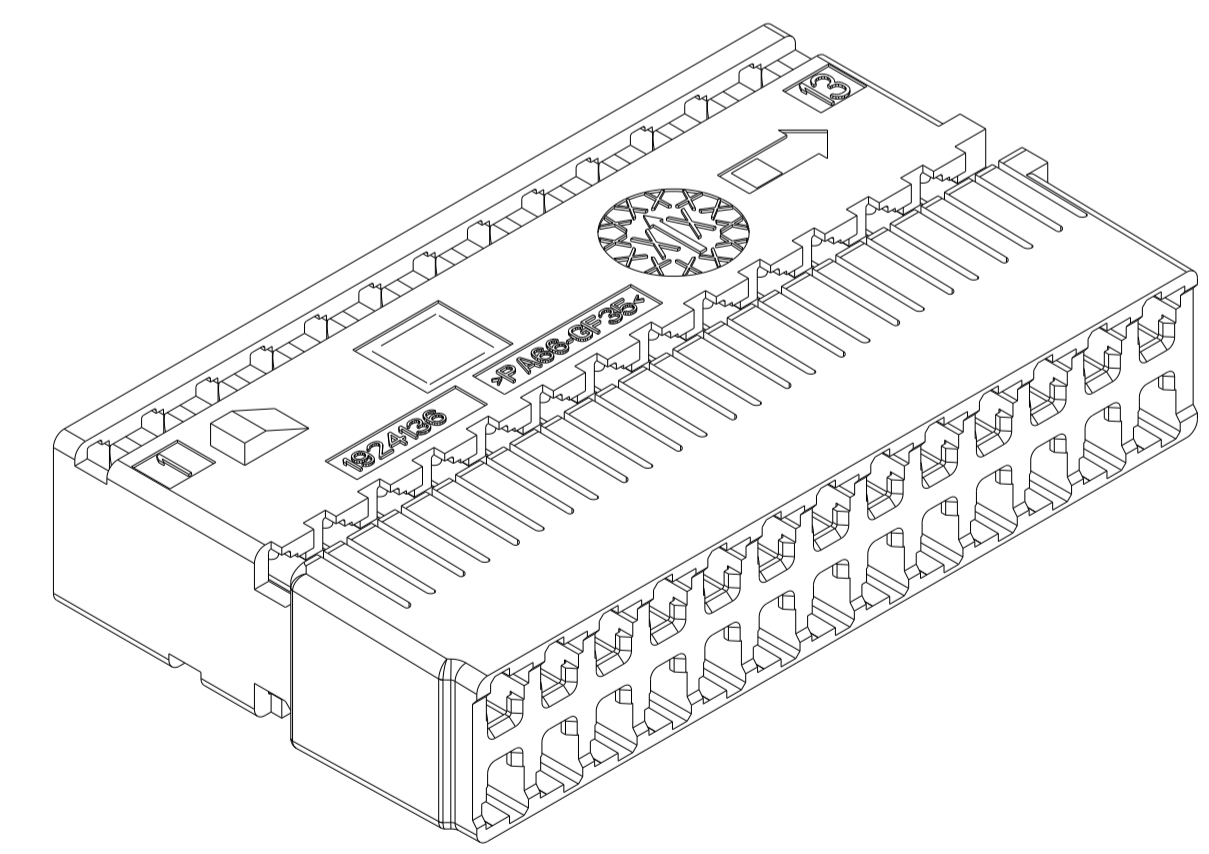
REVISIONS				
P	LTA	DESCRIPTION	DATE	OWN APVD
A1		REVISED PER ECO-021788	02SEP2008	DLD CJS
A2		REV PER ECO-21-005828	21MAY2021	RGV CJS
A3		REVISED PER ECN-21-120251	01NOV2021	JMS CJS
A4		REV PER ECN-23-233685	19OCT2023	JMS CJS

△ NYLON 6/6, COLOR: SEE TABLE, 35% GLASS FILLED.

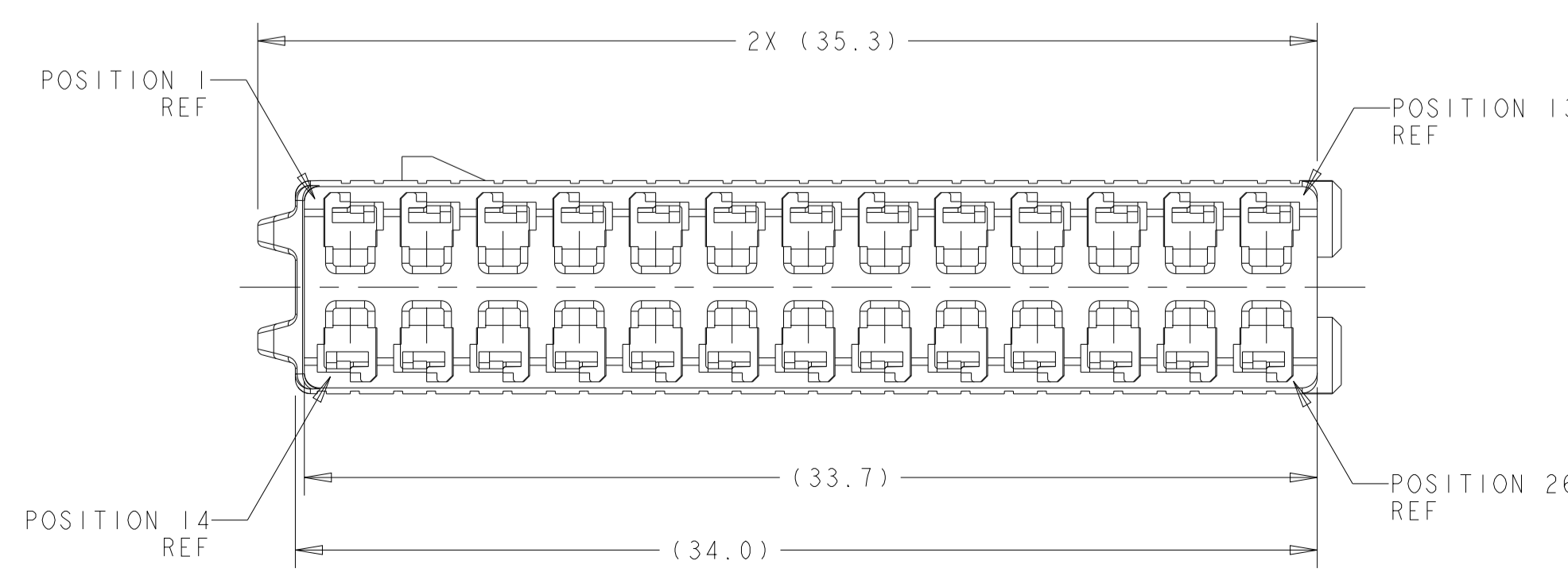
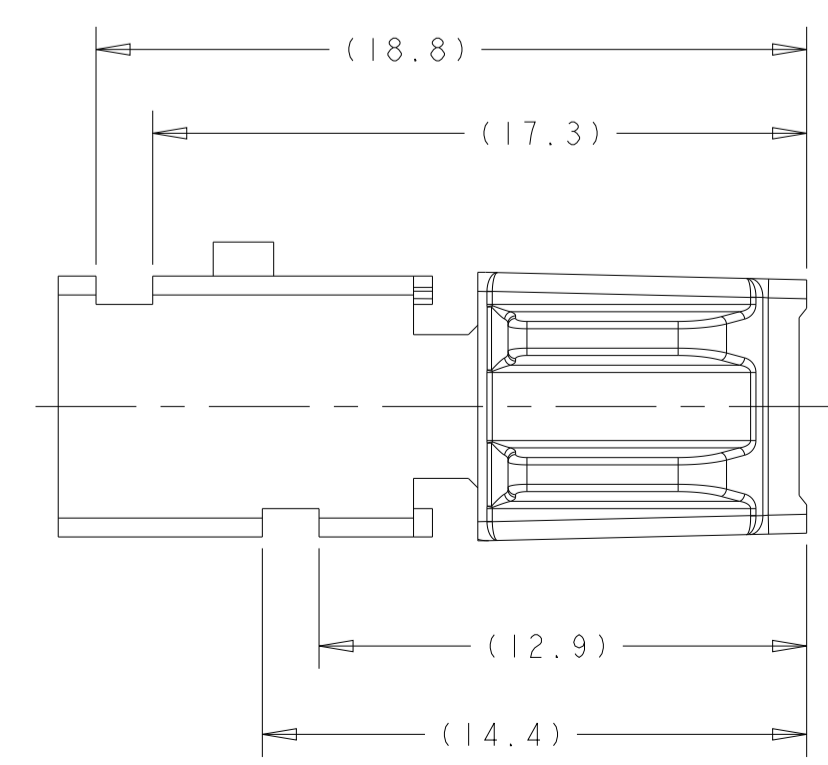
2. CONTACTS SOLD SEPARATELY. SEE DRAWING NUMBER 1456574 FOR TERMINATION AND REELING OPTIONS.



DETAIL B



ISOMETRIC VIEWS SCALE 4:1



DETAIL C

2378797-X	PER DETAIL C	BLACK	1924136-4
1924141-1 THRU 1-0	PER DETAIL C	BLACK	1924136-3
1924346-1 THRU -6	PER DETAIL B	GRAY	1924136-2
1924346-1 THRU -6	AS SHOWN	BLACK	1924136-1
CORRESPONDING SHIELD ASSEMBLY (SOLD SEPARATELY)	CONFIGURATION	COLOR	PART NUMBER

THIS DRAWING IS A CONTROLLED DOCUMENT.		OWN: D.J. HARDY 12FEB2008	
DIMENSIONS:		CHK: R.D. HETRICK 12FEB2008	
mm	TOLERANCES UNLESS OTHERWISE SPECIFIED:	APVD: R.D. HETRICK 12FEB2008	NAME: CARRIER, 26 POSITION, GENERATION Y, 0.64mm LAC CONNECTOR SIZE: CAGE CODE DRAWING NO. RESTRICTED TO A 00779 C=1924136
0 PLC ± 2 PLC ± 3 PLC ± 4 PLC ± ANGLES ±	FINISH ±	PRODUCT SPEC APPLICATION SPEC WEIGHT CUSTOMER DRAWING	
MATERIAL: △		SCALE: 5:1	SHEET 1 OF 1 REV A4