

6

5

4

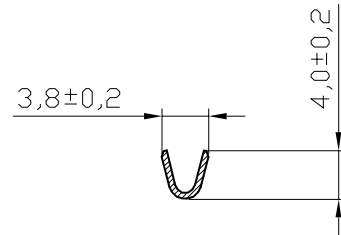
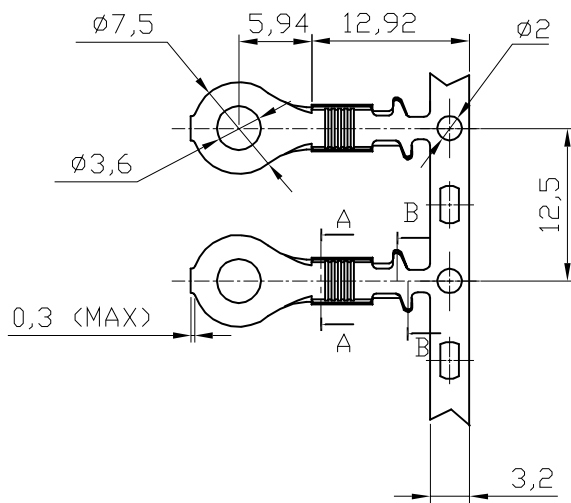
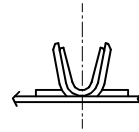
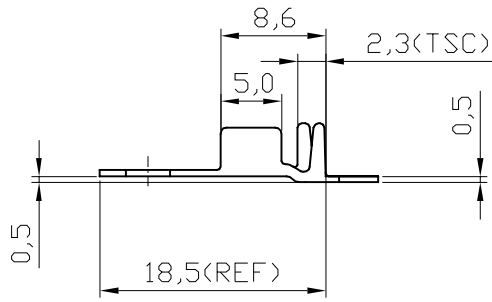


3

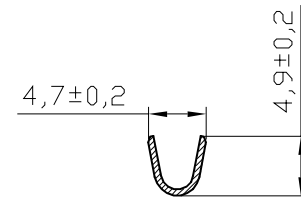
2

1

DIST	LOC	P	LTR	REVISION/RECORD	DATE	DWN	APVD
	EC		A	NEW RELEASE	JAN/22,07	SL	BW



SECTION A-A



SECTION B-B

NOTES:

1. ENAMEL WIRE APPLICATION RANGE:
 $\phi 1.0 \sim 1.65 \text{mm}$.
2. INSULATION APPLICATION DATE:
 $\phi 2.7 \text{mm MAX}$.
3. CONTINUOUS STRIP ON REEL.
4. CURRENT RATING COMPLY WITH UL486A RATING.

BARE

1930001-1

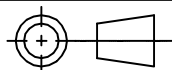
FINISH

PART NUMBER

MATERIAL	FINISH
COPPER ALLOY	SEE TABLE

TOLERANCES UNLESS
OTHER SPECIFIED:

0 PLC	± 0.5
1 PLC	± 0.2
2 PLC	± 0.15
3 PLC	\pm
4 PLC	\pm
ANGLE	\pm

DIMENSIONS IN
mm

DR	STANLEY LU	DATE	NOV.1,2006
----	------------	------	------------

CHK	BORIS WONG	DATE	JAN.8,2007
-----	------------	------	------------

APVD	BORIS WONG	DATE	JAN.8,2007
------	------------	------	------------

PRODUCT SPEC	108-58505
--------------	-----------

APPLICATION SPEC	114-58505
------------------	-----------

RESTRICTED TO	SCALE	SIZE	DWG
---------------	-------	------	-----

NO.	1:1	A4	C-1930001
-----	-----	----	-----------

NAME	AMPLIVAR, (M3.5) RING TONGUE
------	------------------------------

tyco
Electronics

Tyco Electronics
Hong Kong Limited

Room 1301, Ocean Centre No.
5 Canton Rd, Tsimshatsui Kowloon
Hong Kong

NAME
AMPLIVAR, (M3.5) RING TONGUE

RESTRICTED TO	SCALE	SIZE	DWG
---------------	-------	------	-----

NO.	1:1	A4	C-1930001
-----	-----	----	-----------

NAME
AMPLIVAR, (M3.5) RING TONGUE

SHEET	REV
1 OF 1	A

6

5

4



3

2

1