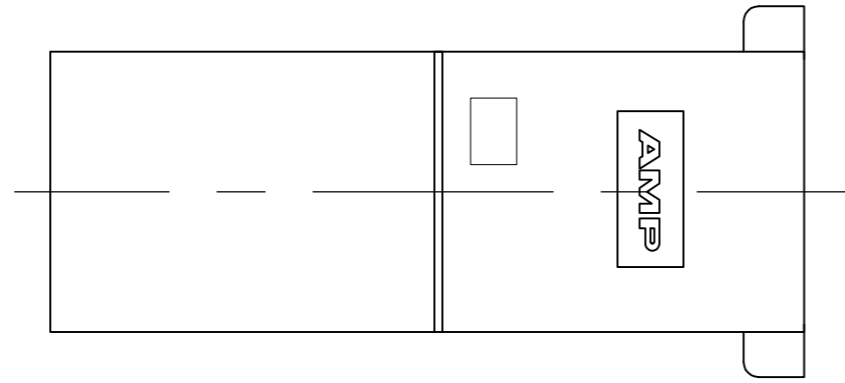


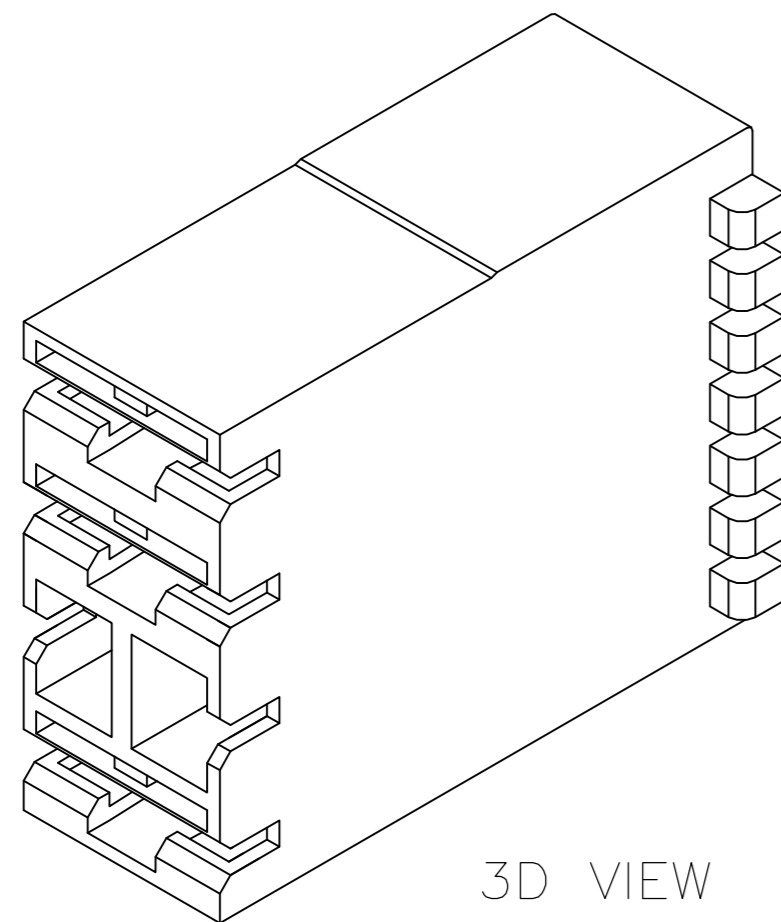
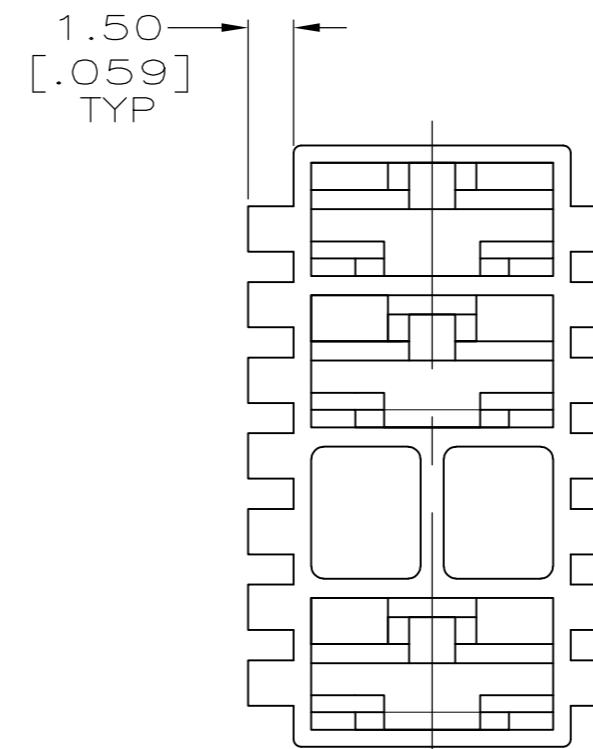
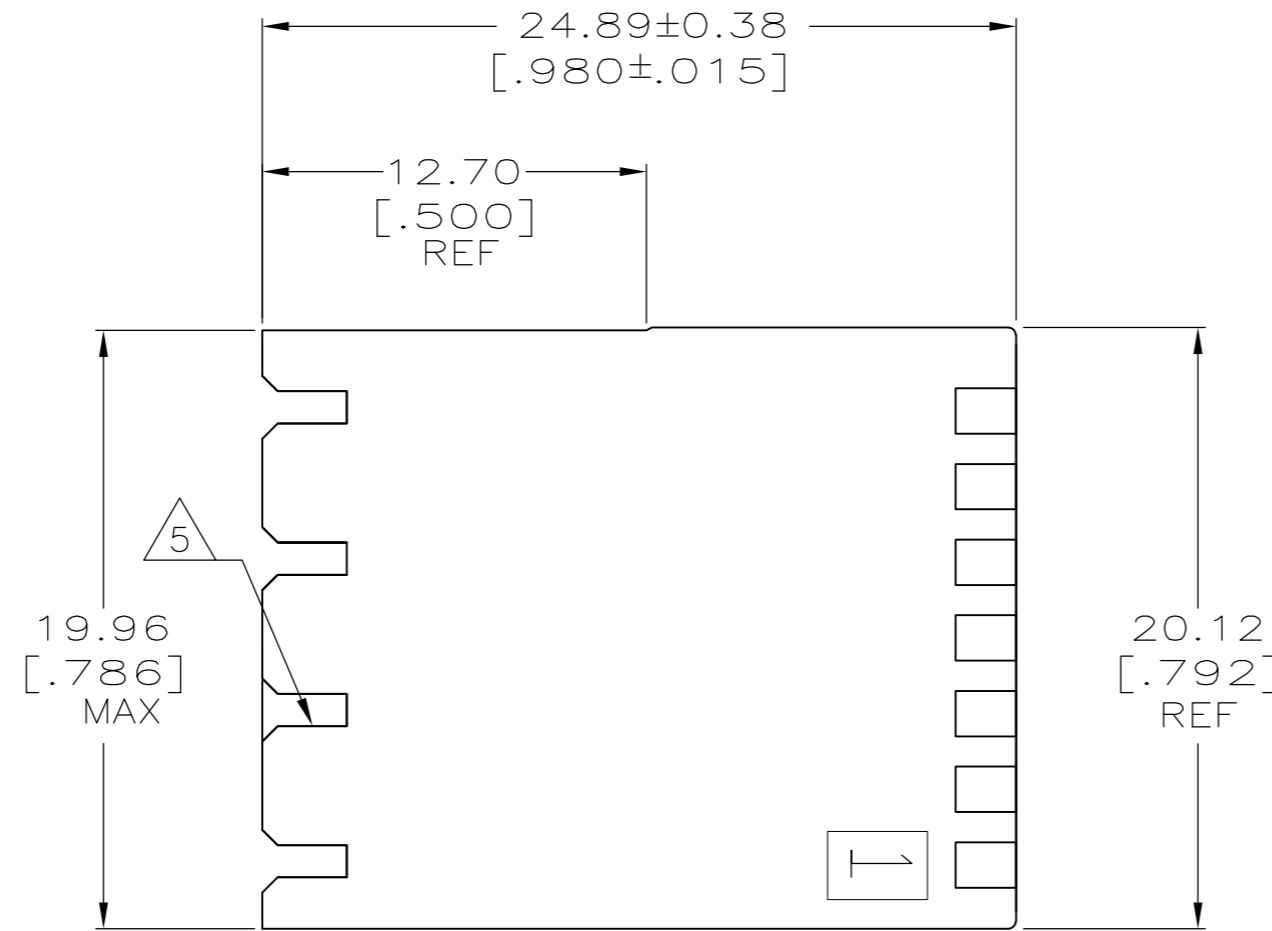
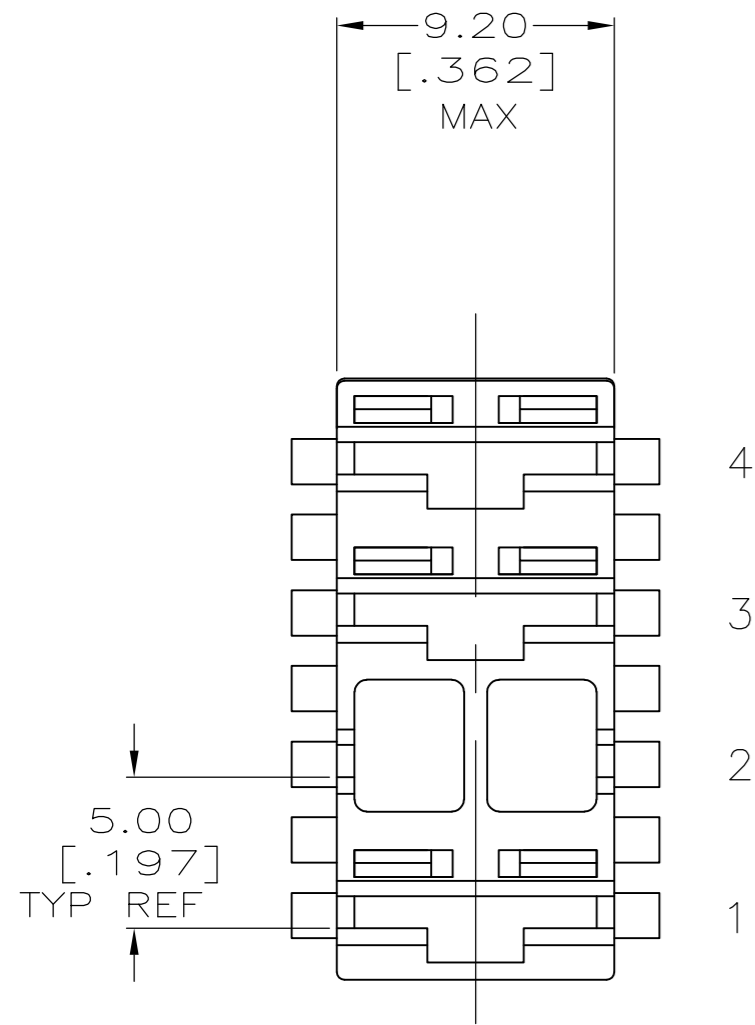
THIS DRAWING IS UNPUBLISHED. RELEASED FOR PUBLICATION  
 © COPYRIGHT - By - ALL RIGHTS RESERVED.

REVISIONS				
P	LTR	DESCRIPTION	DATE	APVD
B1		REVISED PER ECR-16-011575	16AUG2016	BW FV



- ACCEPTS RECEPTACLE CONTACTS 1217378(#18-#22 AWG SINGLE WIRE), 1217094(#18-#14 AWG SINGLE WIRE) AND 1217095 (TWO #18'S OR TWO #16'S OR A #16 + #18 COMBINATION).
- FRONT AND BACK VIEWS SHOW ONLY THE GRIPPERS. FOR KEYING AND POLARIZATION FEATURES, SEE SPECIAL FRONT VIEW.
- TAB SHOULDER SLOTS OPTIONAL ON BOTH SIDES OF DUMMY CIRCUIT.

- ⚠ 4 PRELIMINARY - NOT FOR PRODUCTION
- ⚠ 5 FLASH OVER OF TAB SHOULDER SLOT PERMISSIBLE ON BLOCKED CIRCUITS ONLY



3D VIEW

1969371-1 IS SHOWN

#2 & 4	BLUE	1969371-2
#2	BLUE	⚠ 4 1969371-1
BLOCKED CIRCUIT #	COLOR	PART NO.

THIS DRAWING IS A CONTROLLED DOCUMENT.		DWN JR RUTH 01JUN10	TE Connectivity	
DIMENSIONS: mm [INCHES]		CHK RAY LONDON 01JUN10	NAME	
TOLERANCES UNLESS OTHERWISE SPECIFIED:		APVD RAY LONDON 01JUN10	HOUSING, RECEPT, POSITIVE-LOCK, MKIII, 6.35 [.250] SERIES, 4 POSITION / 3 CIRCUIT	
0 PLC ± -		PRODUCT SPEC	SIZE	CAGE CODE
1 PLC ± -		APPLICATION SPEC	A2	00779
2 PLC ± 0.25 [.010]		114-2074	DRAWING NO	RESTRICTED TO
3 PLC ± -		WEIGHT	C=1969371	-
4 PLC ± -		MATERIAL NYLON	SCALE	SHEET
ANGLES ± -		FINISH SEE TABLE	4:1	1 of 1
CUSTOMER DRAWING		REV	B1	