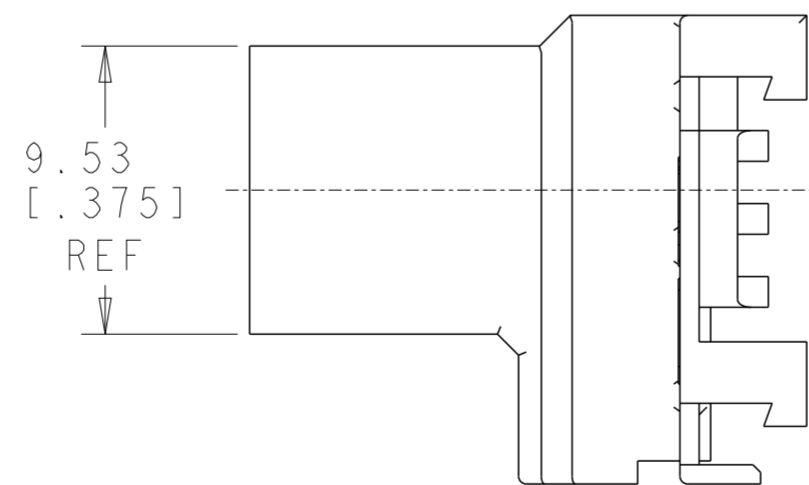
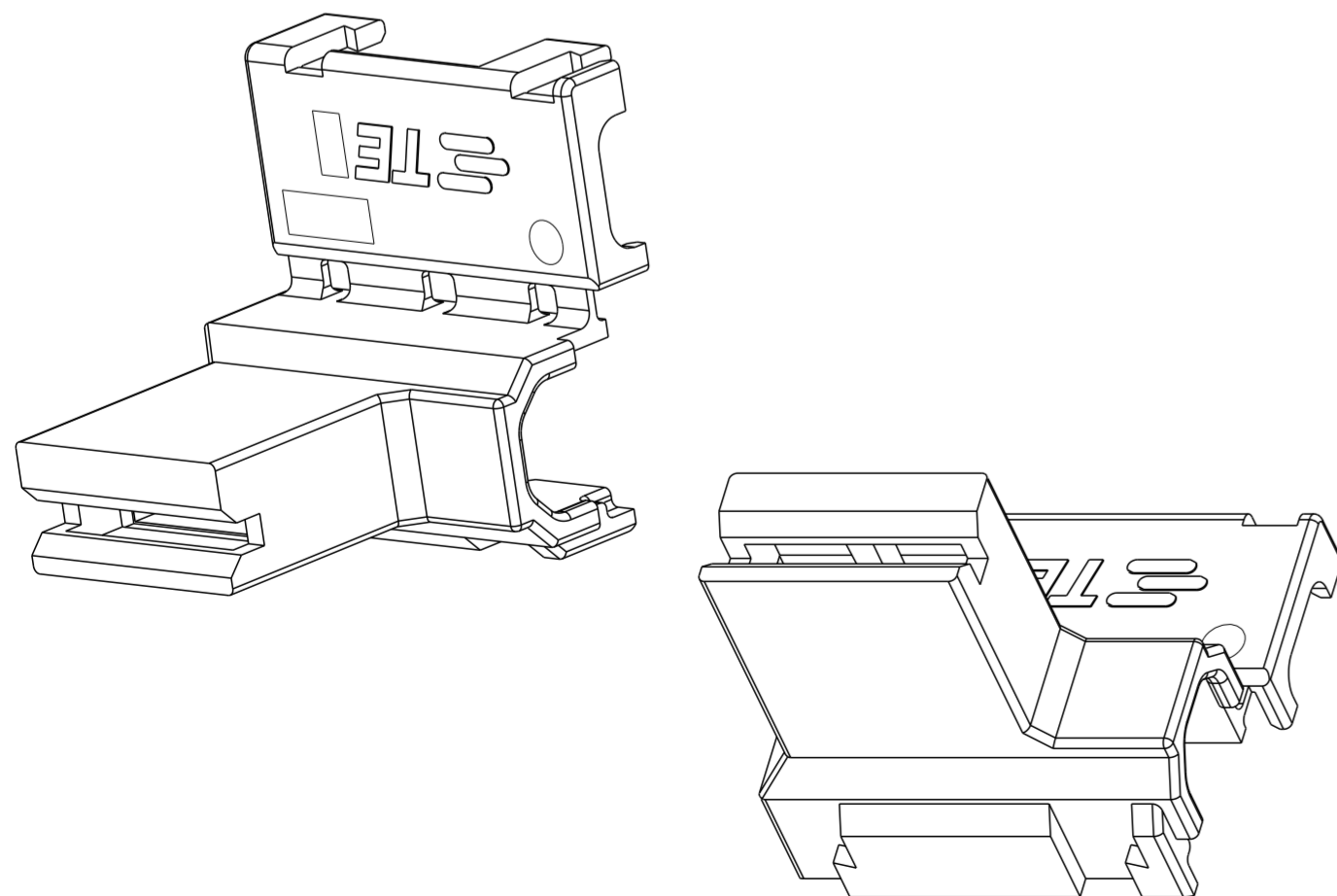
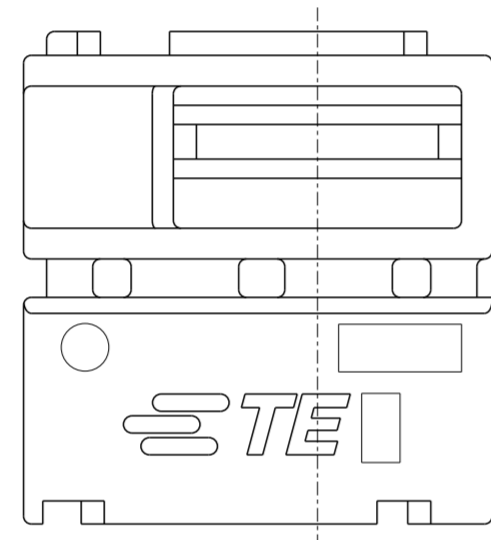
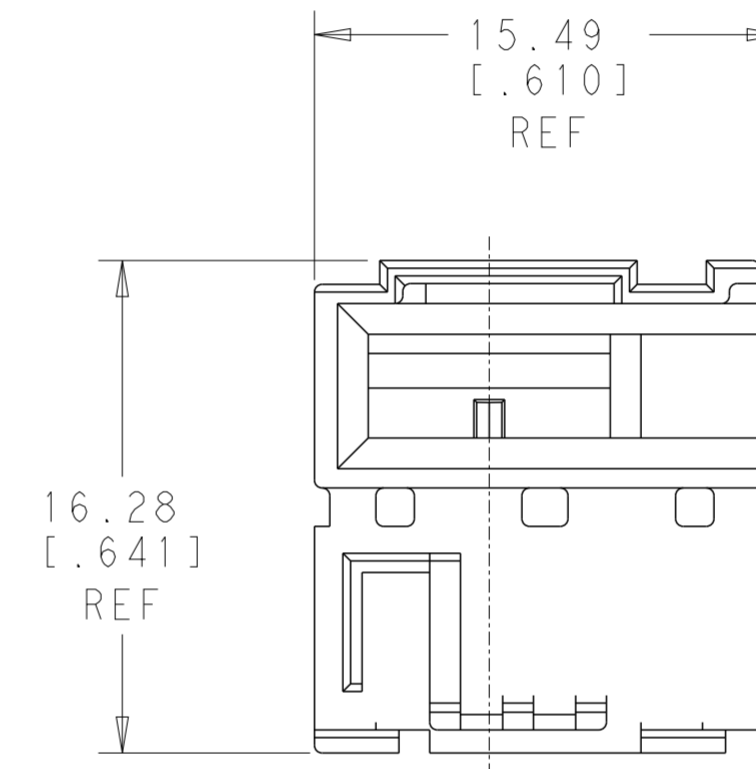
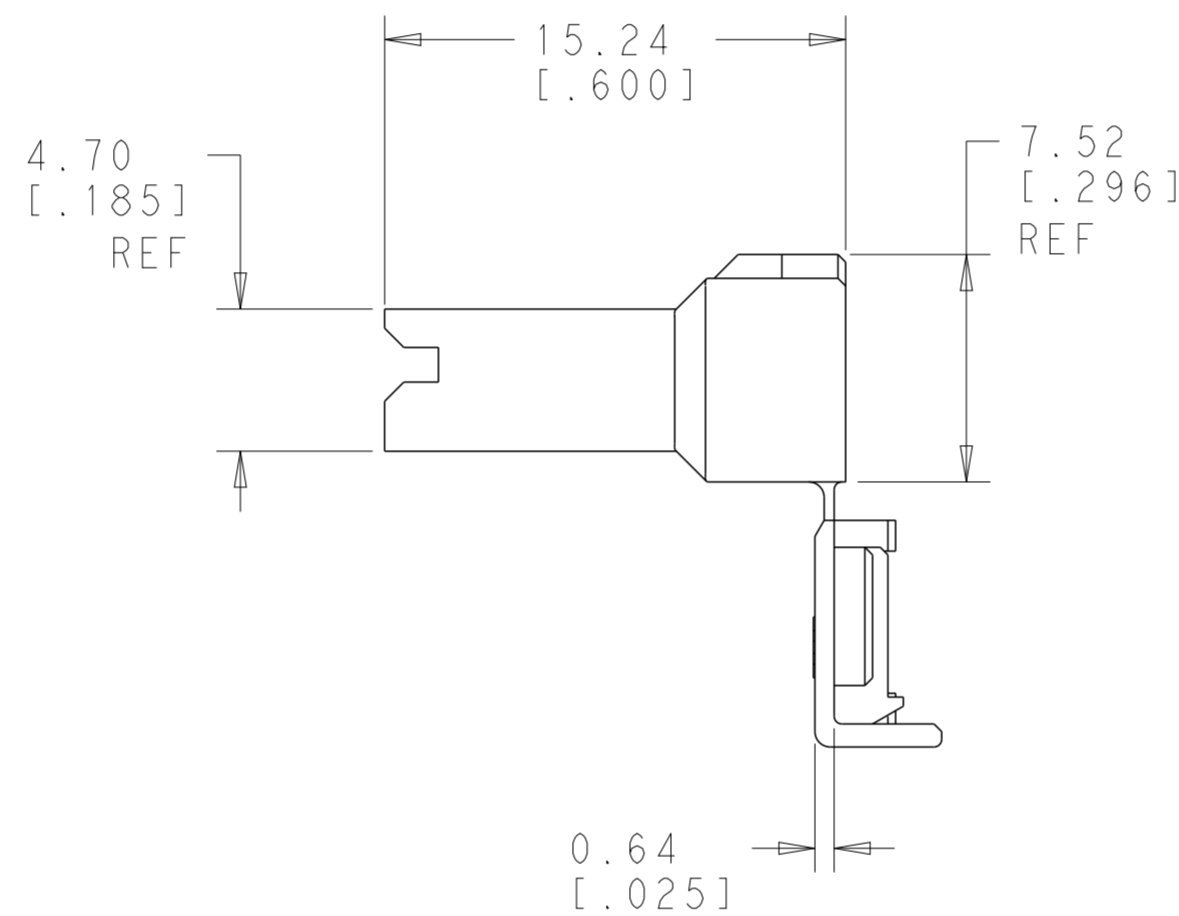
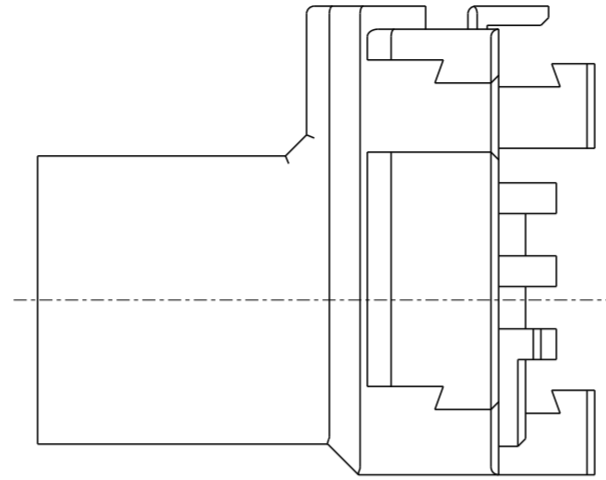


THIS DRAWING IS UNPUBLISHED. RELEASED FOR PUBLICATION
 © COPYRIGHT copyright.d8te- ALL RIGHTS RESERVED.

REVISIONS				
P	LTR	DESCRIPTION	DATE	APVD
B		REVISED PER ECO-18-005718	18APR2018	RS DH
B1		REVISED PER ECR-19-006167	07MAY2019	BDA DH
B2		REVISED PER ECR-19-016225	04OCT2019	BDA DH
C		REVISED PER ECN-22-147652	08APR2022	MK ES

- 1 THIS HOUSING ACCEPTS TERMINAL PART NUMBERS 2238209-3, 63538-X, OR 63011-X OR 63009-X.
- 2 REFER TO SPECIFICATION 408-143119 FOR GUIDANCE ON RE-MOISTURIZATION AND PART STORAGE

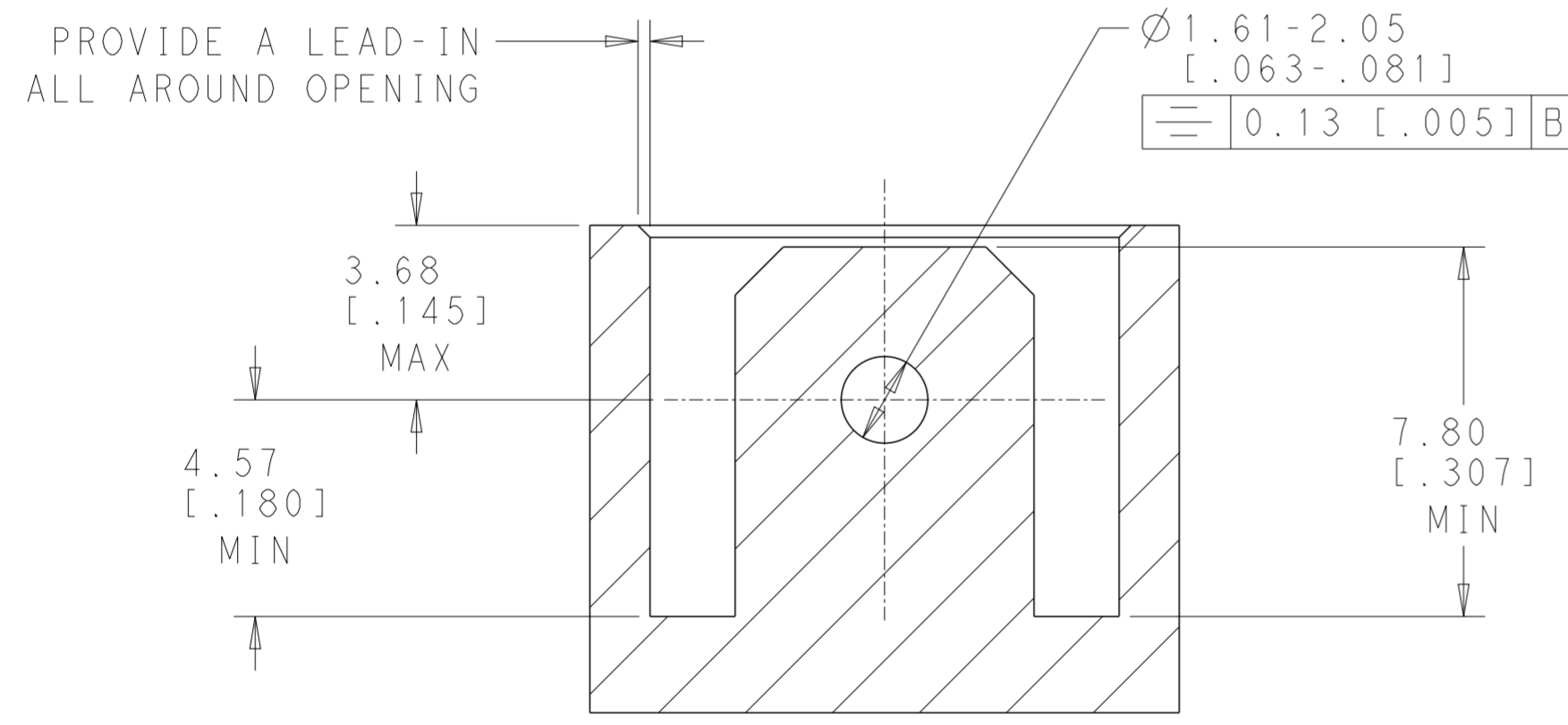
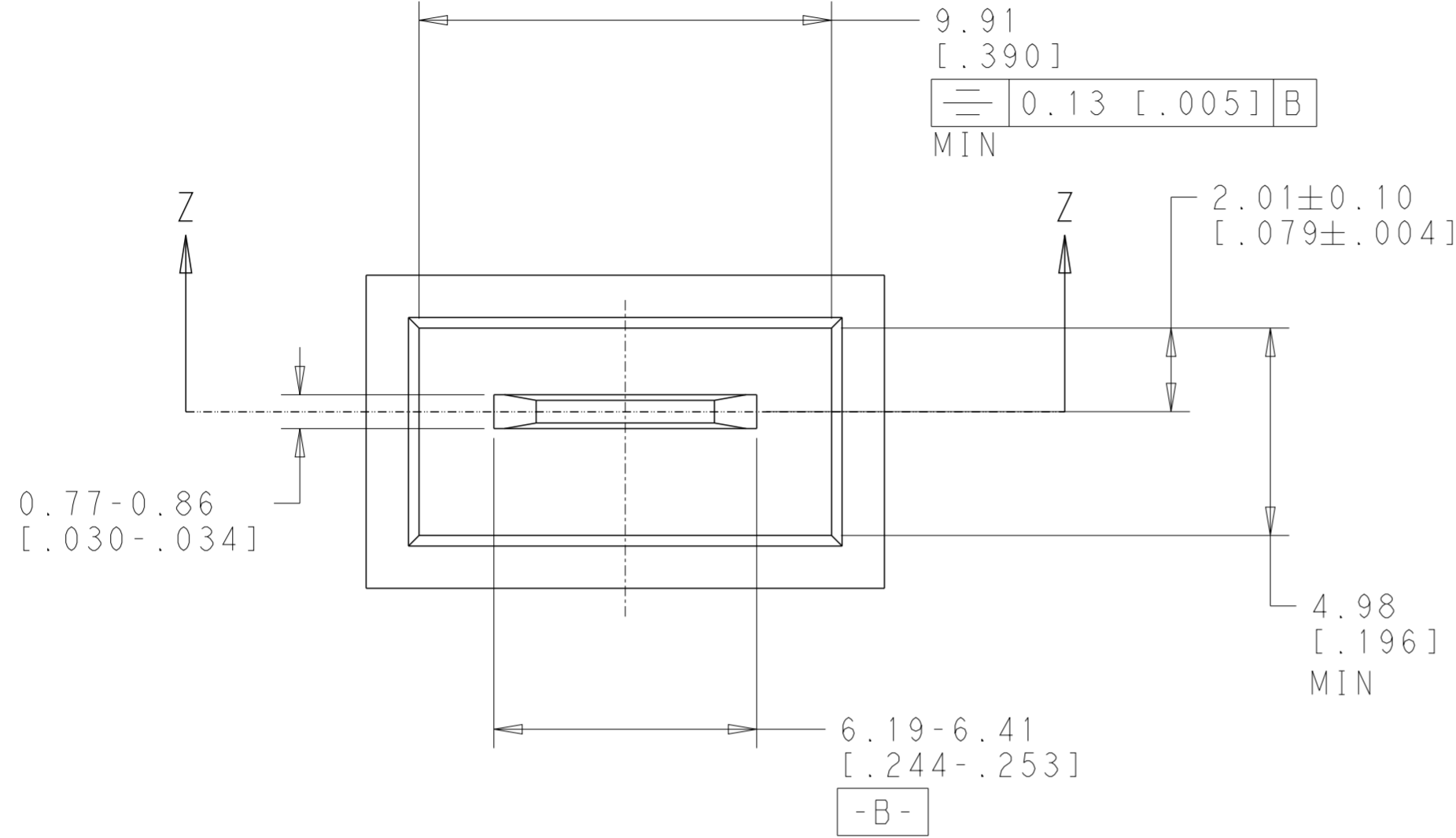


NYLON, UL94V-0, 150°C	1969656-1
MATERIAL	PART NO.

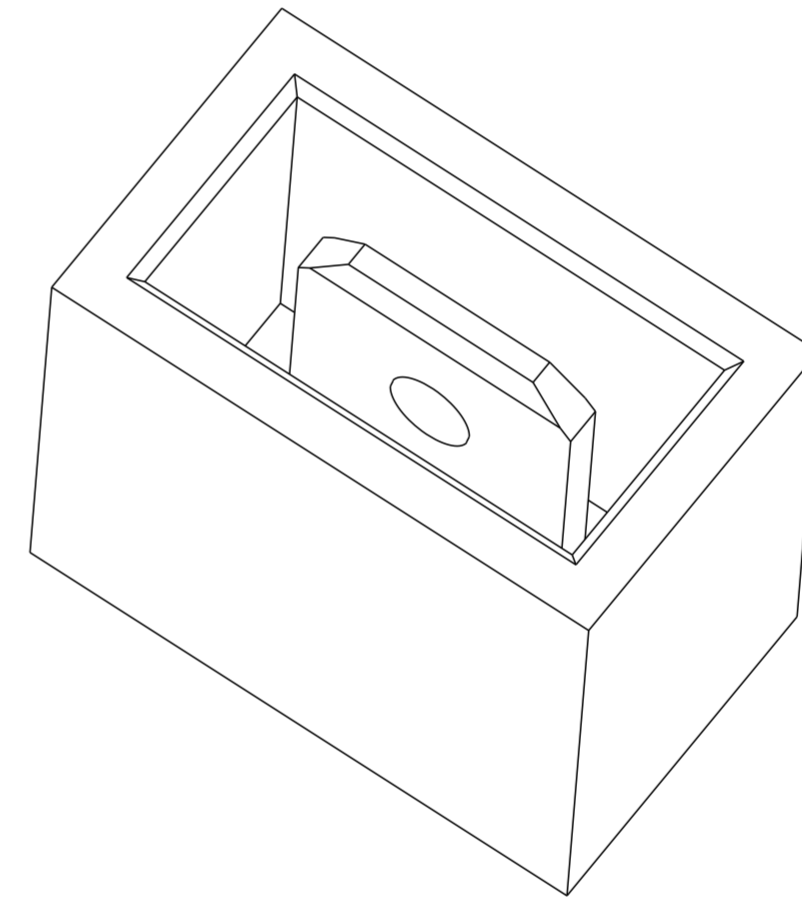
THIS DRAWING IS A CONTROLLED DOCUMENT.		DWN JR RUTH 22OCT13	TE Connectivity NAME HOUSING, RECEPTACLE, FLAG FASTON, LEFT HAND	
DIMENSIONS: mm [INCHES]		CHK PETE DESANTIS 22OCT13		
TOLERANCES UNLESS OTHERWISE SPECIFIED:		APVD PETE DESANTIS 22OCT13		
0 PLC ± 1 PLC ± 2 PLC ±0.25 [.010] 3 PLC ± 4 PLC ± ANGLES ± FINISH		PRODUCT SPEC		
MATERIAL SEE TABLE	COLOR-NATURAL	APPLICATION SPEC	SIZE A2	CAGE CODE -
CUSTOMER DRAWING		WEIGHT -	DRAWING NO. C-1969656	RESTRICTED TO -
		SCALE 4:1	SHEET 1 OF 2	REV C

THIS DRAWING IS UNPUBLISHED. RELEASED FOR PUBLICATION
 © COPYRIGHT copyright.d8te- ALL RIGHTS RESERVED.

REVISIONS				
P	LTR	DESCRIPTION	DATE	APVD
-	-	SEE SHEET 1	-	-



SECTION Z-Z



THIS DRAWING IS A CONTROLLED DOCUMENT.		DWN JR RUTH 22OCT13	TE Connectivity	
DIMENSIONS: mm [INCHES]		CHK PETE DESANTIS 22OCT13		
TOLERANCES UNLESS OTHERWISE SPECIFIED:		APVD PETE DESANTIS 22OCT13	NAME HOUSING, RECEPTACLE, FLAG FASTON, LEFT HAND	
0 PLC ± 1 PLC ± 2 PLC ±0.25 [.010] 3 PLC ± 4 PLC ± ANGLES ±		PRODUCT SPEC -	RESTRICTED TO -	
MATERIAL SEE TABLE		APPLICATION SPEC -	SIZE A2	CAGE CODE -
FINISH COLOR-NATURAL		WEIGHT -	DRAWING NO C-1969656	SCALE 4:1
CUSTOMER DRAWING		SHEET 2 OF 2		REV C