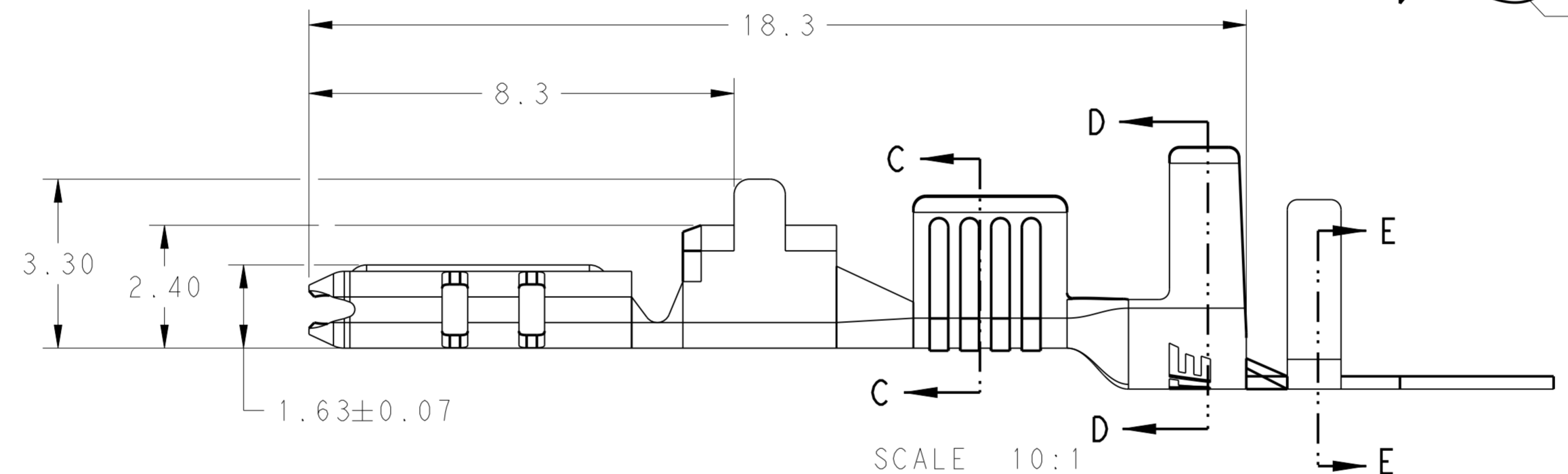
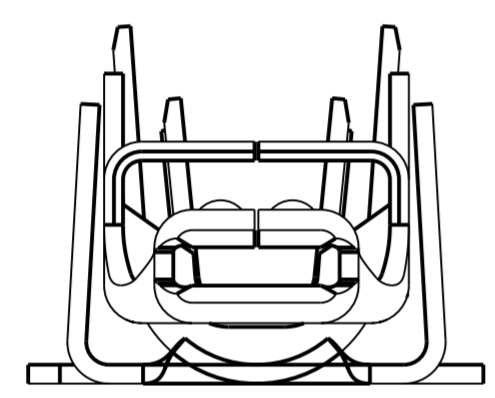
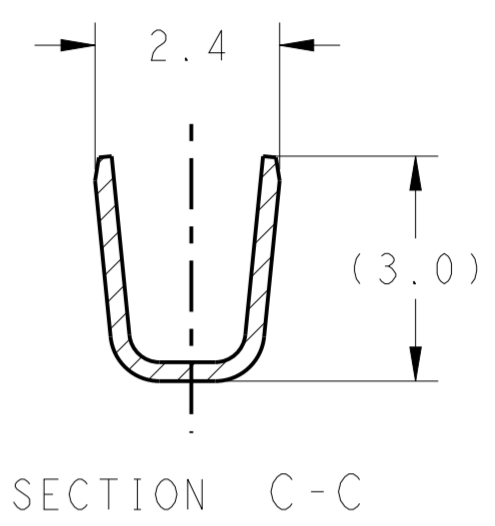
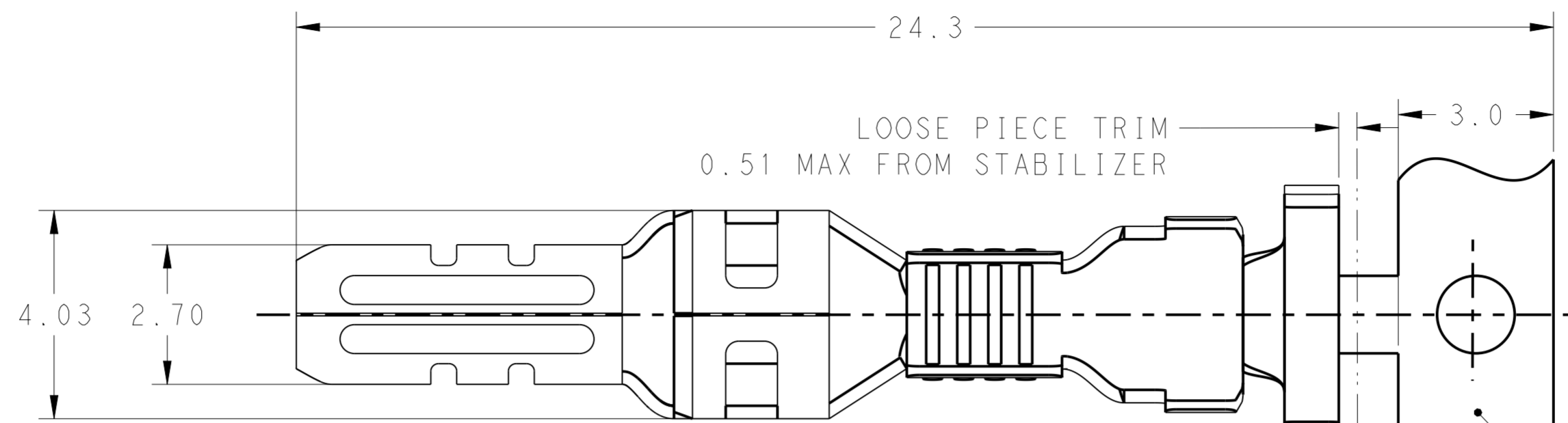
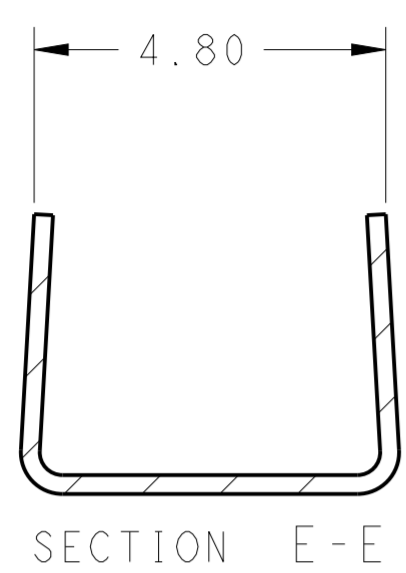
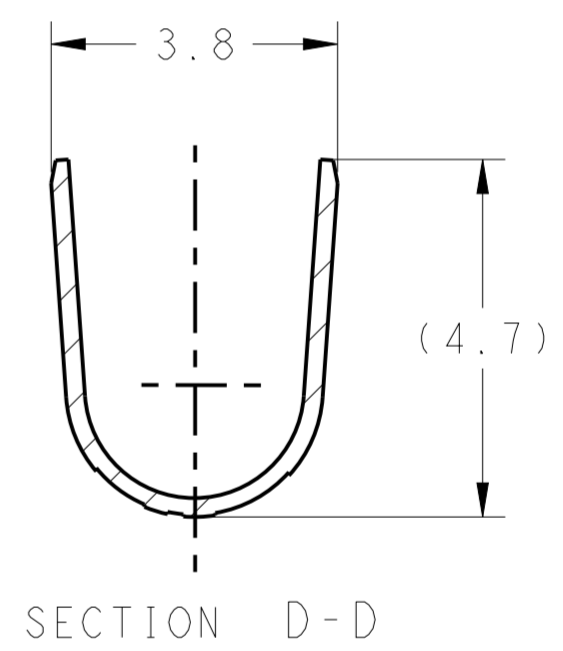


THIS DRAWING IS UNPUBLISHED. RELEASED FOR PUBLICATION 20
 © COPYRIGHT 20 BY - ALL RIGHTS RESERVED.

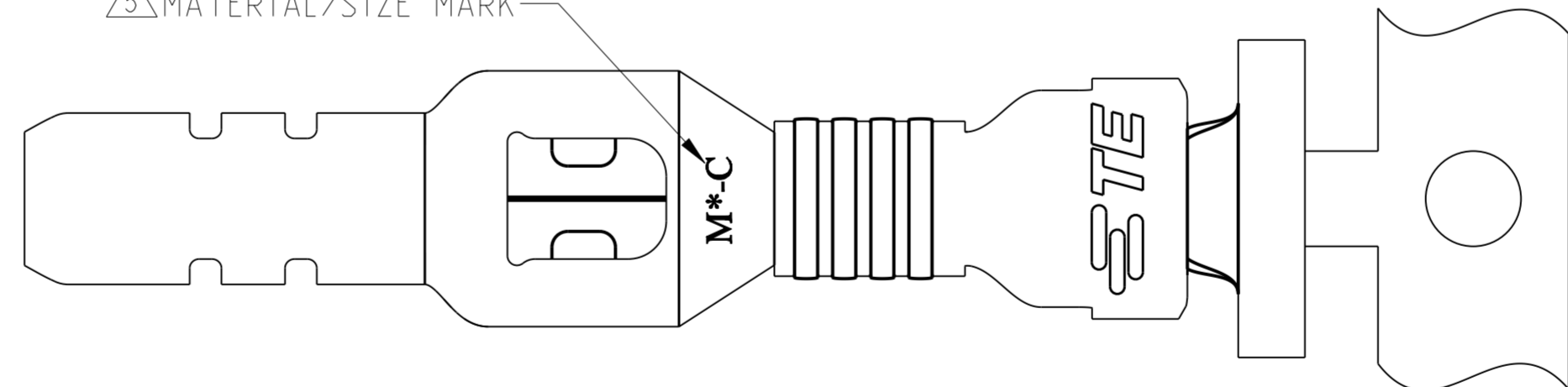
LOC	DIST	REVISIONS			
P	LTR	DESCRIPTION	DATE	DWN	APVD
ES	00	E	REVISED PER ECR-21-100678	08APR2021	SS VS



CARRIER NOT PRESENT ON LOOSE PIECE



△ MATERIAL/SIZE MARK



- 1 RECOMMENDED WIRE RANGE: 16~19AWG COPPER STRANDED (1300~2800 CMA) OR 2x22 AWG COPPER STRANDED (1300 ~ 2800 CMA TOTAL) FOR A #19 AWG WIRE THE RECOMMENDED MINIMUM CROSS-SECTIONAL AREA IS 0.65mm² (1300 CMA).
- 2 FOR WIRE WITH AN AREA/CMA SMALLER THAN INDICATED ABOVE, TAB 1971786-() IS RECOMMENDED.
- 3 APPLICABLE INSULATION DIAMETER: 2.40~3.30mm. 1.80~3.30 mm (2.0 mm MAX FOR 2x22 AWG) WHEN OVERLAP INSULATION APPLICATOR USED.
- 4 APPLICABLE MATED CAP HOUSING P/N:
 -1971772-/*-1971775-*/*-1971875-*/
 -2232263-/*-2232264-*/*-2232356-*

△ WIRE SIZE INDICATOR "C" = 16-19, 2x22 AWG

LOOSE PIECE	COPPER ALLOY	HIGH(150°C)	M0-C	4-1971784-2
CONTINUOUS W CARRIER	COPPER ALLOY	HIGH(150°C)	M0-C	1971784-2
CONTINUOUS W CARRIER	BRASS	STANDARD(105°C)	M8-C	1971784-1
CONFIGURATION	MATERIAL	TEMP. RATING	MATERIAL/ SIZE MARK △	PART NO

THIS DRAWING IS A CONTROLLED DOCUMENT.

DIMENSIONS: mm	TOLERANCES UNLESS OTHERWISE SPECIFIED:	DWN TOMMY WU 11JUL2011	TE Connectivity NAME TAB CONTACT POWER TRIPLE LOCK
	0 PLC ±	CHK HAPYE WU 11JUL2011	
	1 PLC ±0.5	APVD YUHONG MAO 11JUL2011	
	2 PLC ±0.30	PRODUCT SPEC 108-106118	
MATERIAL SEE TABLE	PRE-TIN	APPL. SPEC 114-106118	RESTRICTED TO
		WEIGHT -	SIZE A2 CAGE CODE 00779 DRAWING NO C-1971784
		CUSTOMER DRAWING	SCALE 5:1 SHEET 1 OF 1 REV E