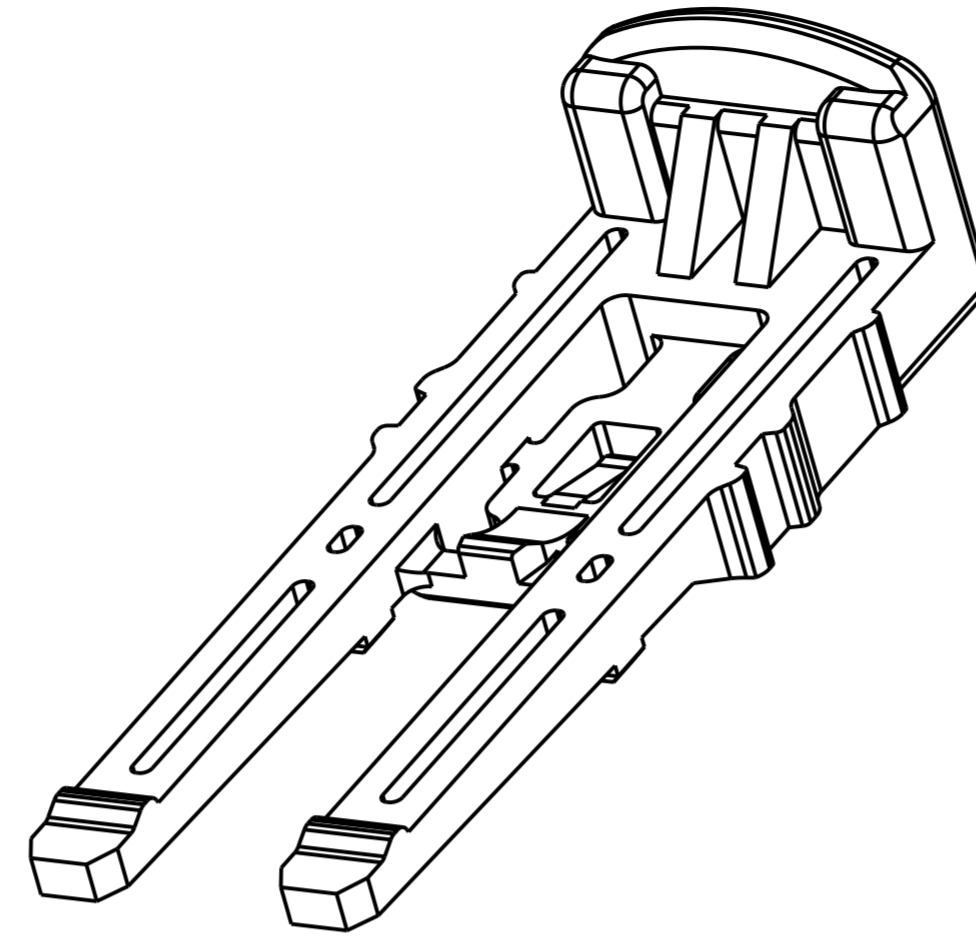
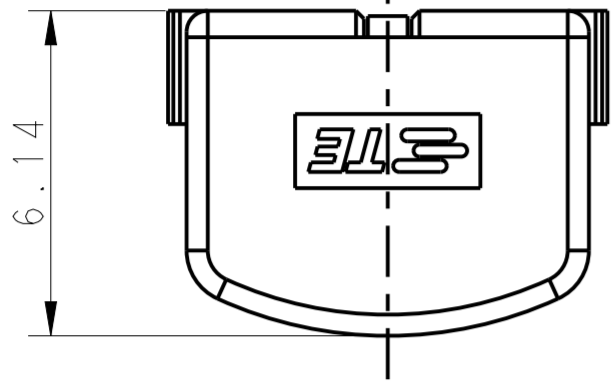
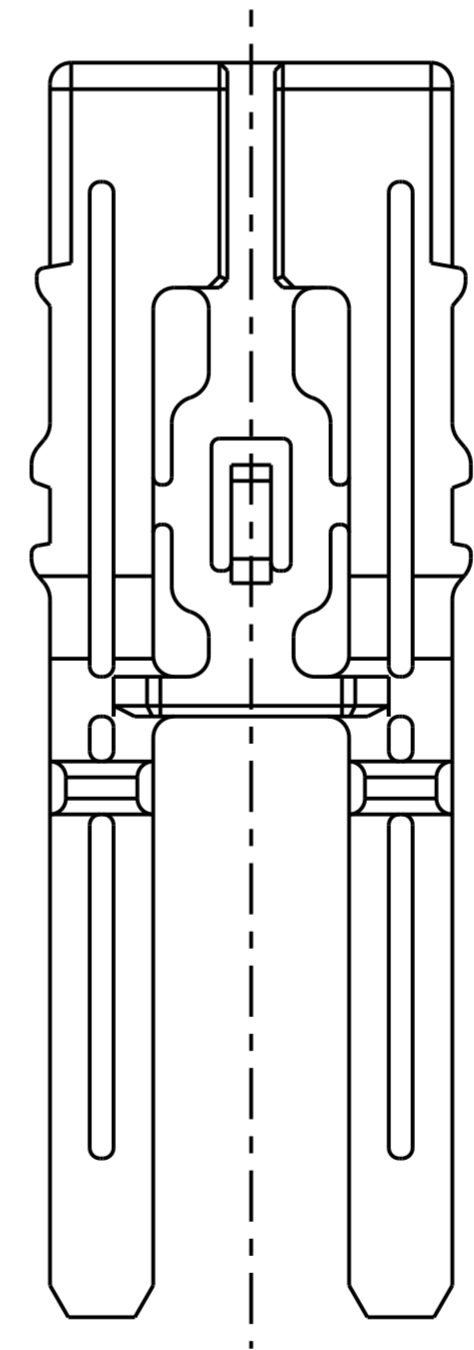
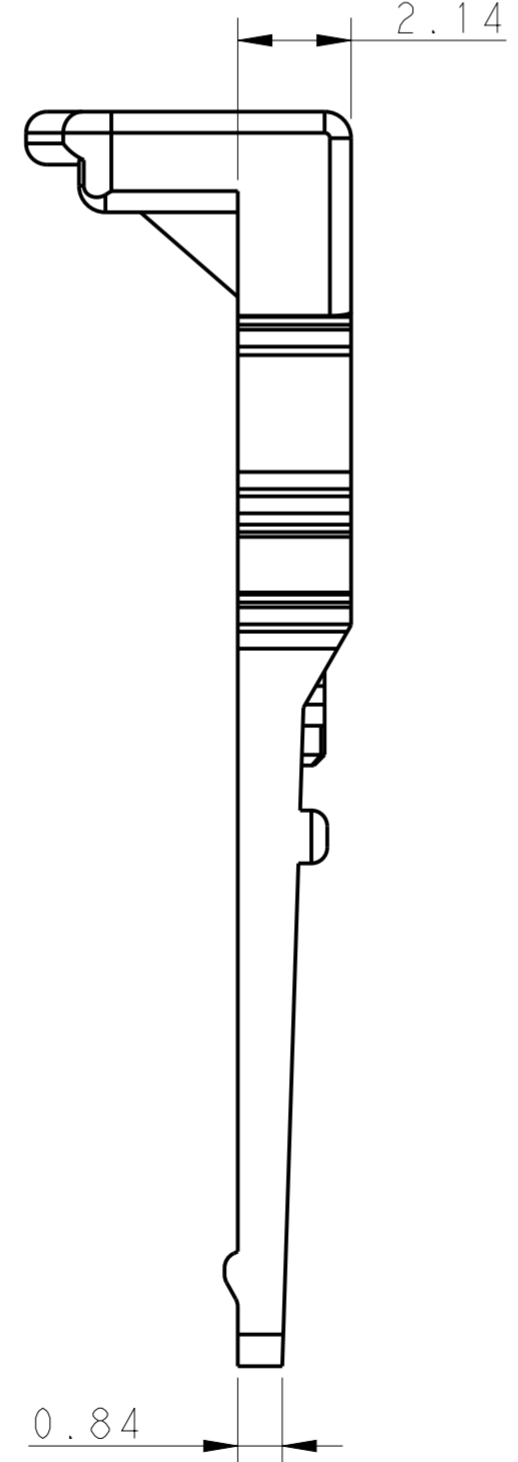
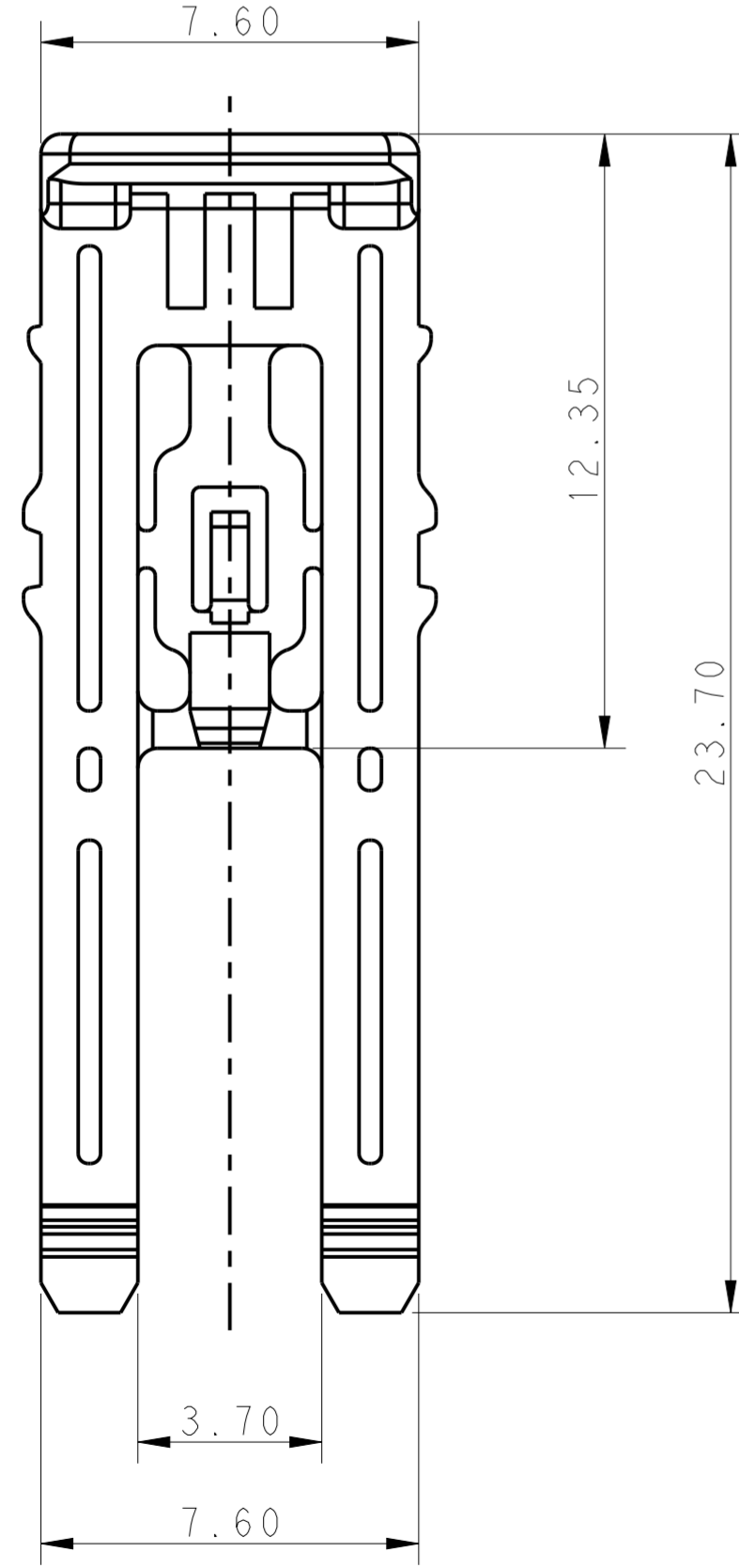


THIS DRAWING IS UNPUBLISHED. RELEASED FOR PUBLICATION 20
 © COPYRIGHT BY ALL RIGHTS RESERVED.

LOC	DIST	REVISIONS					
ES	00	P	LTR	DESCRIPTION	DATE	DWN	APVD
			C	REVISED PER ECR-21-100678	08APR2021	SS	VS



- 1 MATERIAL:
LEVEL 2: NYLON (PA66), HIGH TEMPERATURE 150°C
- 2 PRODUCT SPEC:108-106118, 108-106147
- 3 APPLICATION SPEC:114-106118, 114-106147
- 4 APPLICABLE MATED PLUG HOUSING P/N:
-1971773-/*-1971776-*/*-1971876-*/
-2232265-/*-2232266-*/*-2232357-*/*-2232362-*
- 5 FLAMMABILITY RATED UL94 V-0



RED	LEVEL 2	1971789-1
COLOR	MATERIAL	P/N

THIS DRAWING IS A CONTROLLED DOCUMENT.		DWN TOMMY WU 11JUL2012	TE Connectivity CONNECTOR POSITION ASSURANCE(CPA) POWER TRIPLE LOCK																								
DIMENSIONS: mm		CHK HAPYE WU 11JUL2012																									
TOLERANCES UNLESS OTHERWISE SPECIFIED:		APVD YUHONG MAO 11JUL2012																									
<table border="1"> <tr><td>0 PLC</td><td>±</td><td>-</td></tr> <tr><td>1 PLC</td><td>±</td><td>0.35</td></tr> <tr><td>2 PLC</td><td>±</td><td>0.25</td></tr> <tr><td>3 PLC</td><td>±</td><td>-</td></tr> <tr><td>4 PLC</td><td>±</td><td>-</td></tr> <tr><td>ANGLES</td><td>±</td><td>-</td></tr> <tr><td>FINISH</td><td>±</td><td>-</td></tr> </table>		0 PLC		±	-	1 PLC	±	0.35	2 PLC	±	0.25	3 PLC	±	-	4 PLC	±	-	ANGLES	±	-	FINISH	±	-	<table border="1"> <tr><td>PRODUCT SPEC</td><td>2</td></tr> <tr><td>APPLICATION SPEC</td><td>3</td></tr> </table>	PRODUCT SPEC	2	APPLICATION SPEC
0 PLC	±	-																									
1 PLC	±	0.35																									
2 PLC	±	0.25																									
3 PLC	±	-																									
4 PLC	±	-																									
ANGLES	±	-																									
FINISH	±	-																									
PRODUCT SPEC	2																										
APPLICATION SPEC	3																										
MATERIAL	-	WEIGHT	-																								
Customer Drawing		SCALE 7:1	SHEET 1 OF 1 REV C																								