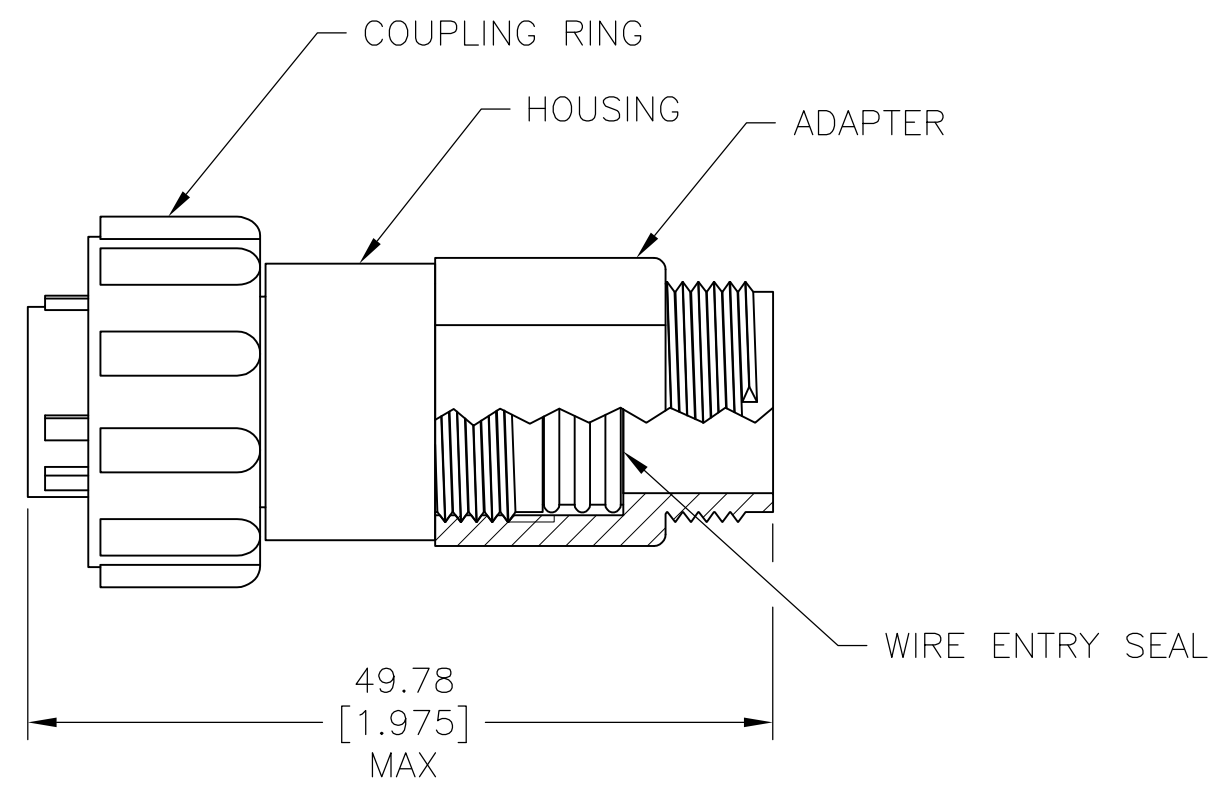
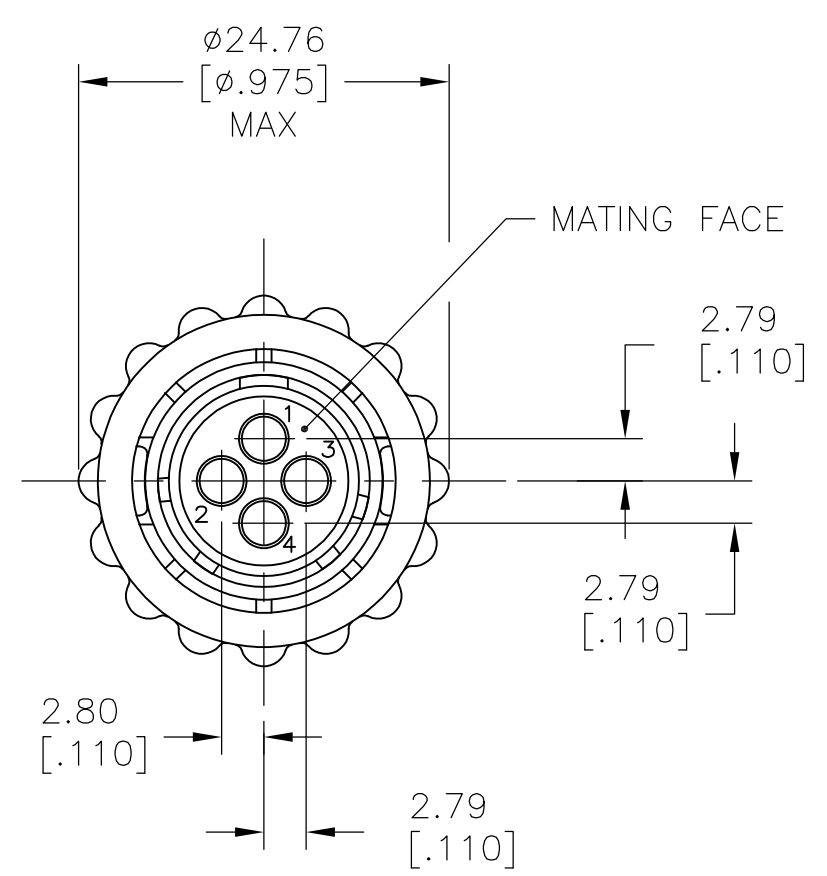


THIS DRAWING IS UNPUBLISHED. RELEASED FOR PUBLICATION
 © COPYRIGHT - By - ALL RIGHTS RESERVED.

| LOC | DIST | REVISIONS | | | |
|-----|------|-------------|-------------------------------|---------|-------|
| P | LTR | DESCRIPTION | DATE | DWN | APVD |
| FT | 0 | A | NEW DRAWING PER ECO-12-018480 | 08NOV12 | KH MZ |

- 1 HOUSING, COUPLING RING & ADAPTER: NYLON 6/6, BLACK.
WIRE ENTRY SEAL: ELASTOMER, RED.
- 2 THIS CONNECTOR WILL ACCEPT FOUR (4) MULTIMATE PIN CONTACTS.



1977881-1
 PART NUMBER

| | | | | | |
|---|--|-------------------------------|--|-------------------------|--------------------|
| THIS DRAWING IS A CONTROLLED DOCUMENT. | | DWN KIRAN HOLAL 08NOV12 | TE Connectivity | | |
| DIMENSIONS: mm [INCHES] | | CHK M ZITTO 08NOV12 | | | |
| TOLERANCES UNLESS OTHERWISE SPECIFIED: | | APVD M ZITTO 08NOV12 | NAME CPC PLUG ASSEMBLY, SERIES 1, SEALED 11-4, REVERSE SEX, UV RESISTANT | | |
| 0 PLC ± - 1 PLC ± - 2 PLC ± 0.13 [.005] 3 PLC ± - 4 PLC ± - ANGLES ± - | | PRODUCT SPEC 108-1579 | SIZE A3 | | |
| MATERIAL | | APPLICATION SPEC 114-10038 | CAGE CODE 00779 | DRAWING NO C-1977881 | RESTRICTED TO - |
| FINISH | | WEIGHT - | SCALE 2:1 | | SHEET 1 OF 1 |
| | | CUSTOMER DRAWING | | REV A | |