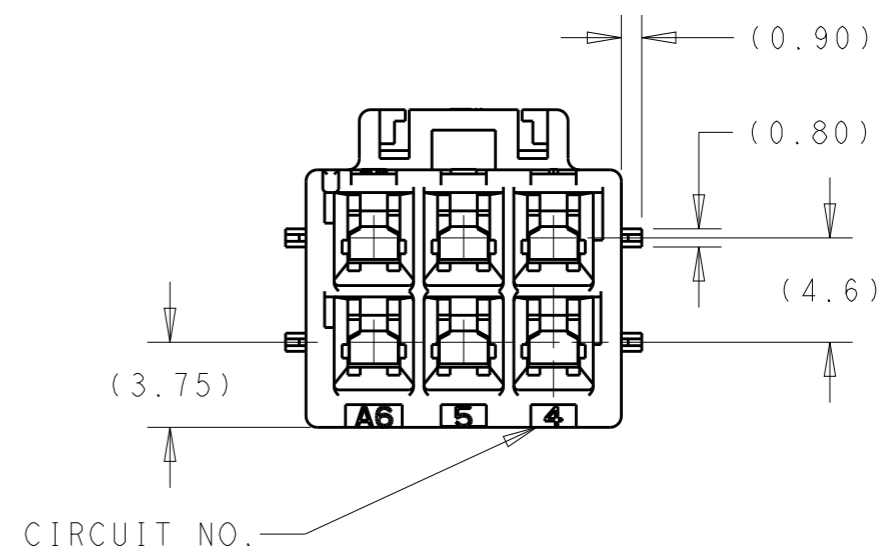
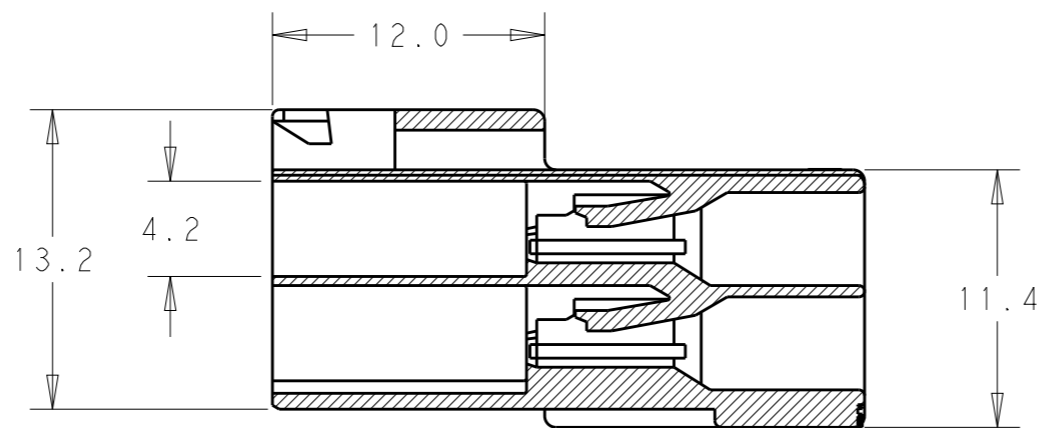
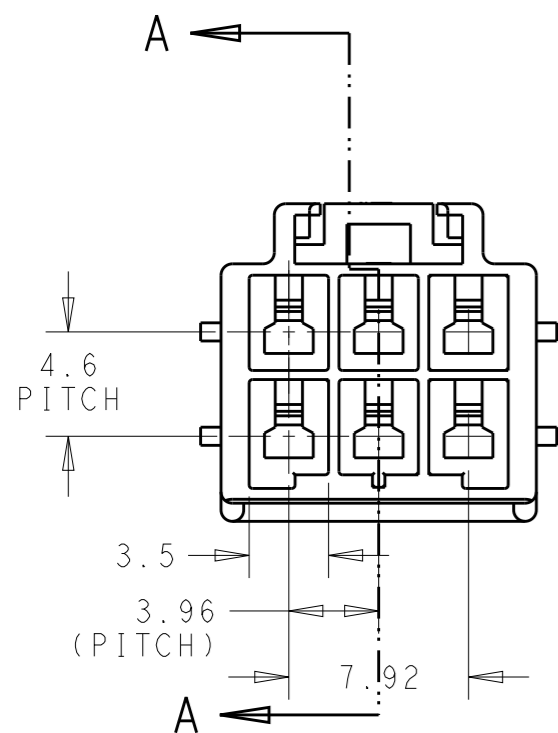
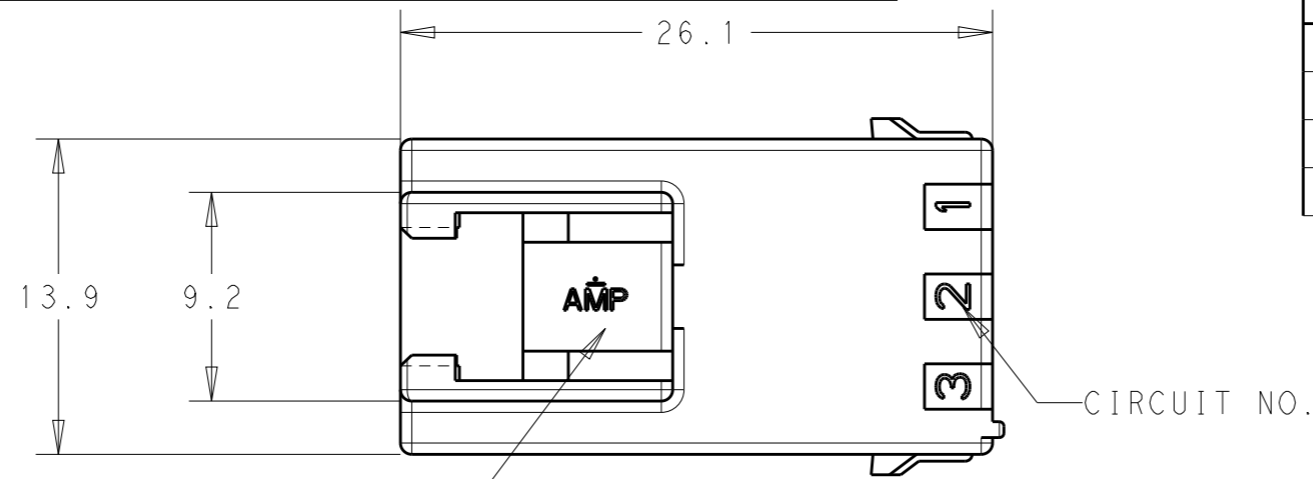


THIS DRAWING IS UNPUBLISHED. RELEASED FOR PUBLICATION 20  
 © COPYRIGHT 20 BY - ALL RIGHTS RESERVED.

REVISIONS					
P	LTR	DESCRIPTION	DATE	DWN	APVD
	A	RELEASED	29MAY'09	SC	JK
	B	REVISED PER ECR-19-009721	01JUL2019	M.G	D.Z



NOTE

- 1 THIS HOUSING ACCEPTS TAB TERMINAL:  
 -TAB CONTACT: 177917-□ (AWG#16-#20)  
 177916-□ (AWG#22-#26)
- 2 MATING CONN.P/N  
 -PLUG HSG: 368576-□  
 -REC CONTACT: 177915-□ (AWG#16-#20)  
 177914-□ (AWG#22-#26)
- 3 APPLICABLE DOUBLE LOCK PLATE :177919-1  
 \* IT SHOULD BE USED CERTAINLY WHEN CABLE ASS'Y
- 4 GENERAL TOLERANCES:±0.3

5 MATERIAL:PA66, UL94V-0,  
 COMPLY WITH GLOW WIRE REQUIREMENT FOR PARTS OF NON-METALLIC  
 MATERIALSUPPORTING A CURRENT-CARRYING CONNECTION DETAILED  
 IN IEC 60335-1, SECTION 30(GWT).

BLUE	2005253-6
YELLOW	2550253-4
NATURAL	2005253-1
COLOR	PART NUMBER

THIS DRAWING IS A CONTROLLED DOCUMENT.		DWN	SC KIM	<b>STE</b> TE Connectivity	
DIMENSIONS: mm		CHK	BW KANG		
TOLERANCES UNLESS OTHERWISE SPECIFIED:		APVD	JK SONG	NAME PDL 6P CAP HSG 3.96mm D/R F/H (GWT)	
0 PLC ±-		PRODUCT SPEC	108-5410	SIZE	
1 PLC ±-		APPLICATION SPEC	114-5175	CAGE CODE	DRAWING NO
2 PLC ±-		WEIGHT	-	A300779	C=2005253
3 PLC ±-		CUSTOMER DRAWING		SCALE	3:1
4 PLC ±-				SHEET	1 OF 1
ANGLES ±-				REV	B
FINISH					
MATERIAL					
5					