

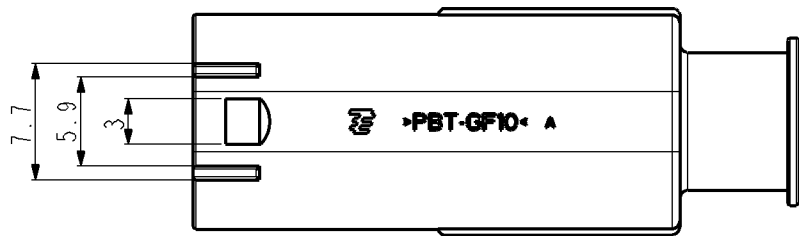
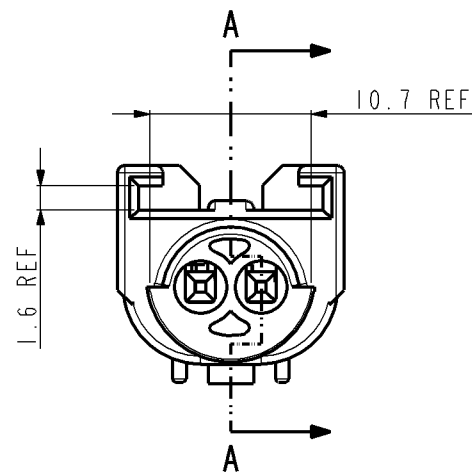
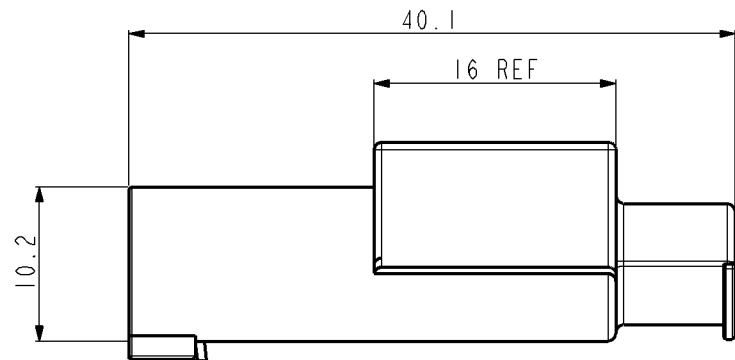
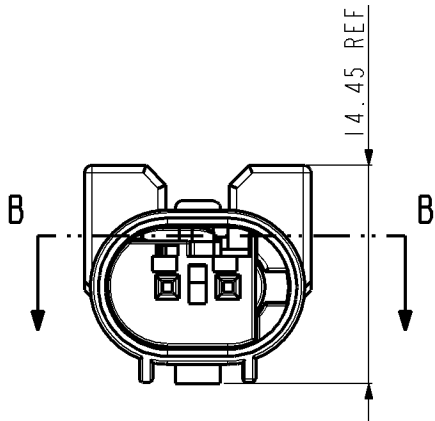
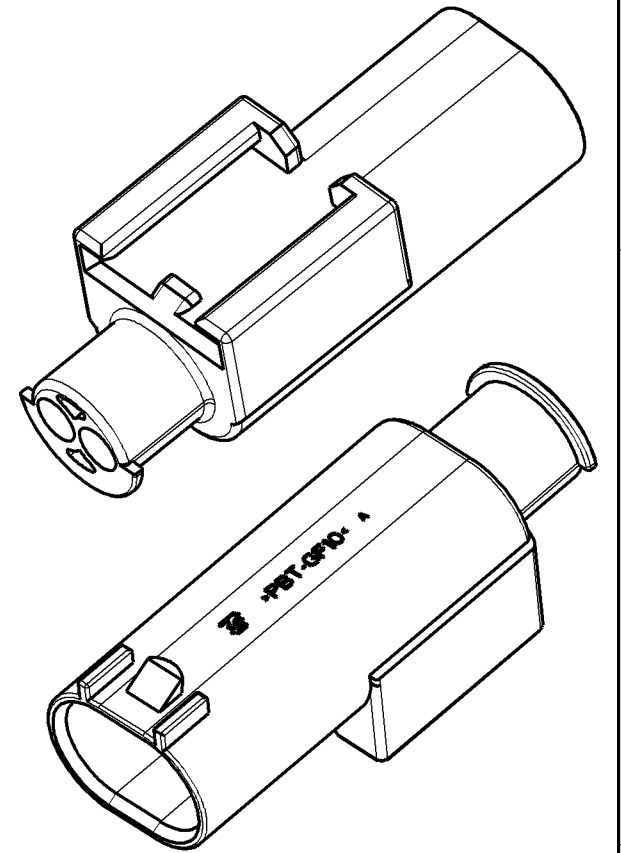
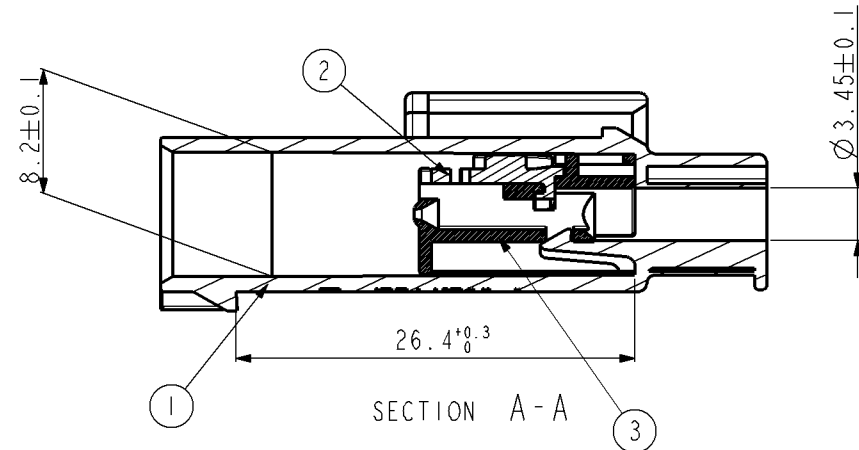
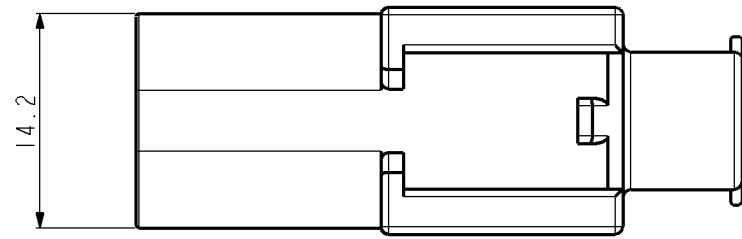
THIS DRAWING IS UNPUBLISHED.

RELEASED FOR PUBLICATION

20

© COPYRIGHT 20 BY TYCO ELECTRONICS CORPORATION. ALL RIGHTS RESERVED.

LOC	DIST	REVISIONS					
DS	-	P	LTR	DESCRIPTION	DATE	DWN	APVD
		A		RELEASED	28/AUG/09	SW	HG



NOTES.

- 1. GENERAL TOLERANCE : ±0.3, ±3°
- 2. ALL RADII ARE 0.3 EXCEPT AS INDICATED
- 3. MATING CONN'R : 967644
- 4. APPLIED TAB CONTACT, WIRE SEAL P/N : SEE TABLE I.
- 5. WARPAGE & FLASH : MAX 0.2

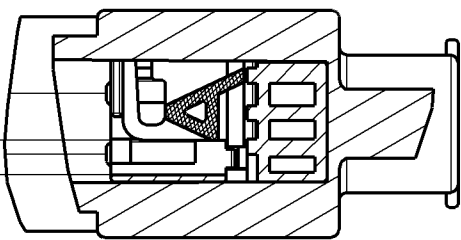
TABLE I.

	DESCRIPTION	P/N	WIRE SIZE (mm ²)
MQS TAB	TAB CONTACT	962886	0.2~0.5
		965908	0.5~0.75
	WIRE SEAL	967067	0.2~0.75

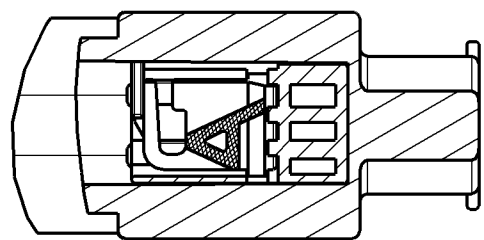
ASSY P/N	2005342-5
----------	-----------

NO	COLOR	MATERIAL	DESCRIPTION	QTY
3	NATURAL	PBT-GF15	PIN HSG	1
2	GREY	PA66-GF30	SLIDE HSG	1
1	YELLOW	PBT-GF10	CAP HSG	1

2.3 REF
LOCKING DISTANCE



DELIVERY CONDITION
RETAINER IN PRELOCKED POSITION



RETAINER IN END-LOCKED POSITION

SECTION B-B

THIS DRAWING IS A CONTROLLED DOCUMENT FOR TYCO ELECTRONICS CORPORATION. IT IS SUBJECT TO CHANGE AND THE CONTROLLING ENGINEERING ORGANIZATION SHOULD BE CONTACTED FOR THE LATEST REVISION.

DIMENSIONS: mm		TOLERANCES UNLESS OTHERWISE SPECIFIED:	
		0 PLC	±0.5
		1 PLC	±0.13
		2 PLC	±0.013
		3 PLC	±0.0001
MATERIAL		FINISH	

DWN	SW NA
CHK	JW JUNG
APVD	HG CHO
PRODUCT SPEC	-
APPLICATION SPEC	-
WEIGHT	-
CUSTOMER DRAWING	

Tyco Electronics Kyungsan Korea		NAME	
CAP ASSY FOR MQS2P SEALED CONN'R		RESTRICTED TO	
SIZE	CAGE CODE	DRAWING NO	
A3	00779	C-2005342	
SCALE	SHEET	OF	REV
			A