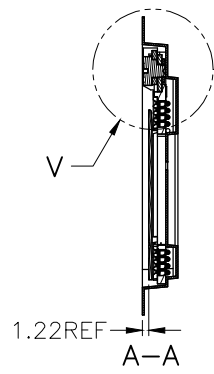
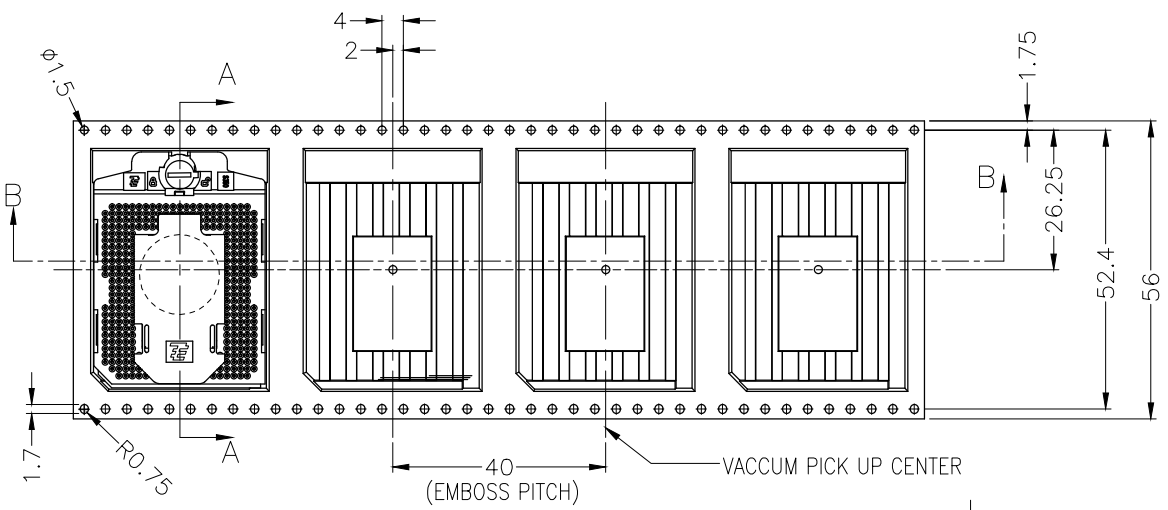


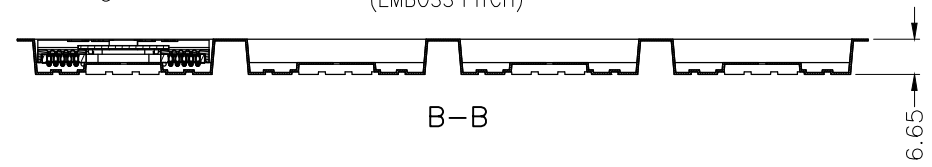
THIS DRAWING IS UNPUBLISHED. RELEASED FOR PUBLICATION
 © COPYRIGHT 2013 By TE Connectivity ALL RIGHTS RESERVED.

LOC		DIST		REVISIONS			DATE	DWN	APVD
P	LTR	DESCRIPTION							
	A2	REVISED PER ECR-14-006043			28APR14	S.C	H.L		

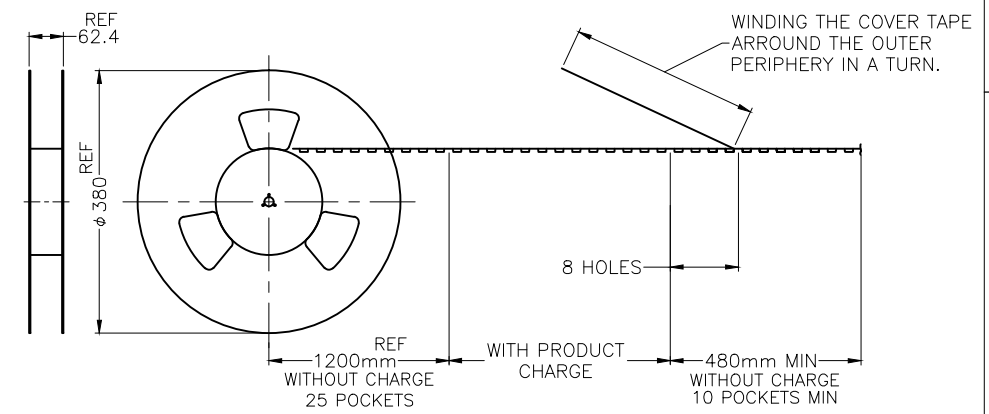
DIRECTION OFF TOP OF REEL



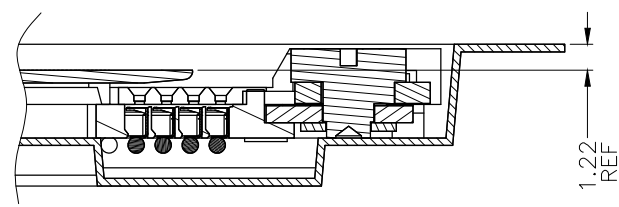
GROSS WEIGHT	NET WEIGHT	PCS/ REEL	REEL/ BOX	PCS/ BOX	PART NUMBER
10.68KG	7.08KG	300	4	1200	2041549-1



FOR EMBOSS PACKING
 300PCS/REEL
 (REFERENCE)



FOR EMBOSS PACKING
 (REFERENCE)



DETAIL V
 CW 90°

2041549-1
PART NUMBER

THIS DRAWING IS A CONTROLLED DOCUMENT.		DWN A. WU 26SEP2013	TE Connectivity														
DIMENSIONS: mm		CHK S. CHIEN 26SEP2013															
TOLERANCES UNLESS OTHERWISE SPECIFIED:		APVD W. KODAMA 26SEP2013	NAME														
<table border="0"> <tr><td>0 PLC</td><td>± -</td></tr> <tr><td>1 PLC</td><td>± 0.3</td></tr> <tr><td>2 PLC</td><td>± 0.2</td></tr> <tr><td>3 PLC</td><td>± 0.15</td></tr> <tr><td>4 PLC</td><td>± -</td></tr> <tr><td>ANGLES</td><td>± -</td></tr> </table>		0 PLC	± -	1 PLC	± 0.3	2 PLC	± 0.2	3 PLC	± 0.15	4 PLC	± -	ANGLES	± -	PRODUCT SPEC 108-57921	DMD 350 SOCKET CONNECTOR		
0 PLC	± -																
1 PLC	± 0.3																
2 PLC	± 0.2																
3 PLC	± 0.15																
4 PLC	± -																
ANGLES	± -																
MATERIAL		APPLICATION SPEC	SIZE	CAGE CODE	DRAWING NO	RESTRICTED TO											
FINISH		WEIGHT 5.9 g	A3	00779	C=2041549	-											
CUSTOMER DRAWING			SCALE	SHEET	REV												
			NA	1 of 5	A2												

4

3

2

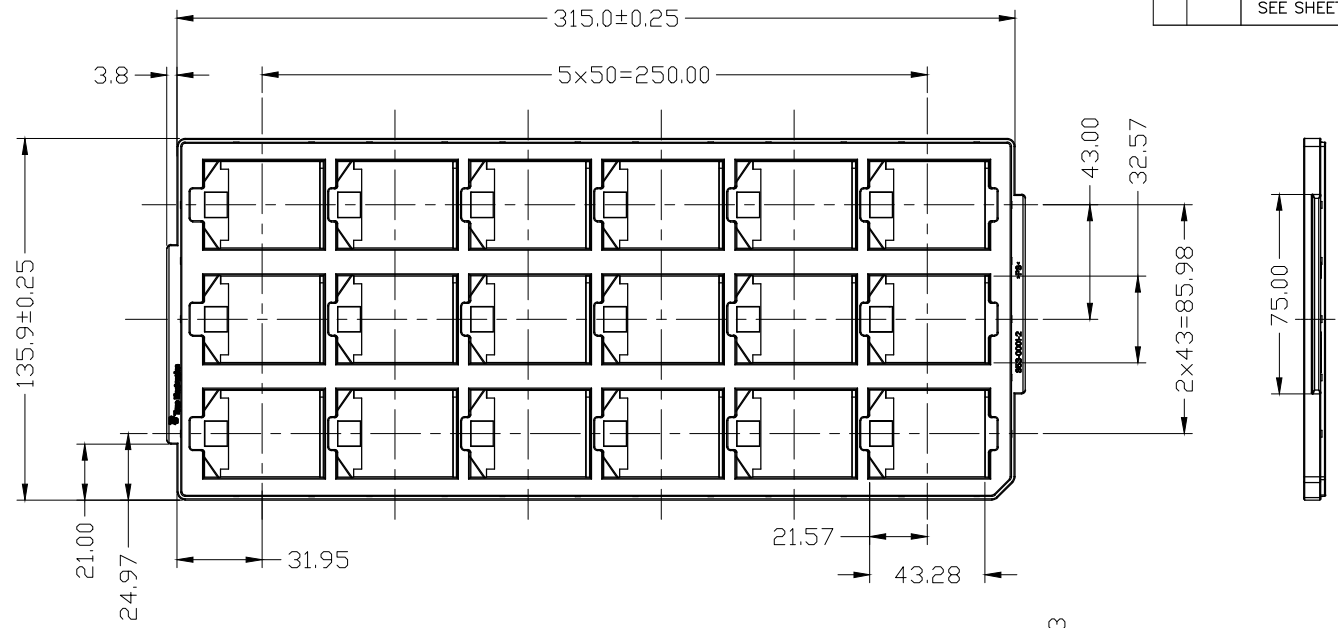
1

THIS DRAWING IS UNPUBLISHED. RELEASED FOR PUBLICATION
 © COPYRIGHT 2013 By TE Connectivity ALL RIGHTS RESERVED.

LOC	DIST	REVISIONS					
—	—	P	LTR	DESCRIPTION	DATE	DWN	APVD
				SEE SHEET 1			

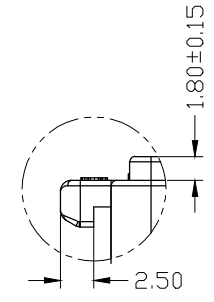
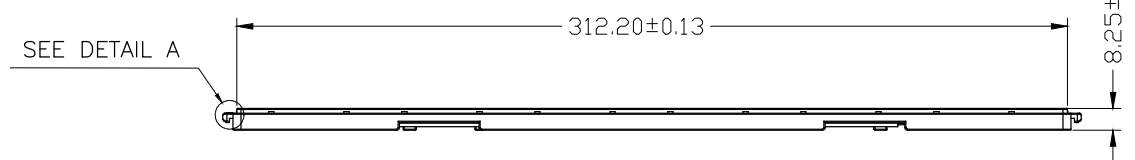
D

D



C

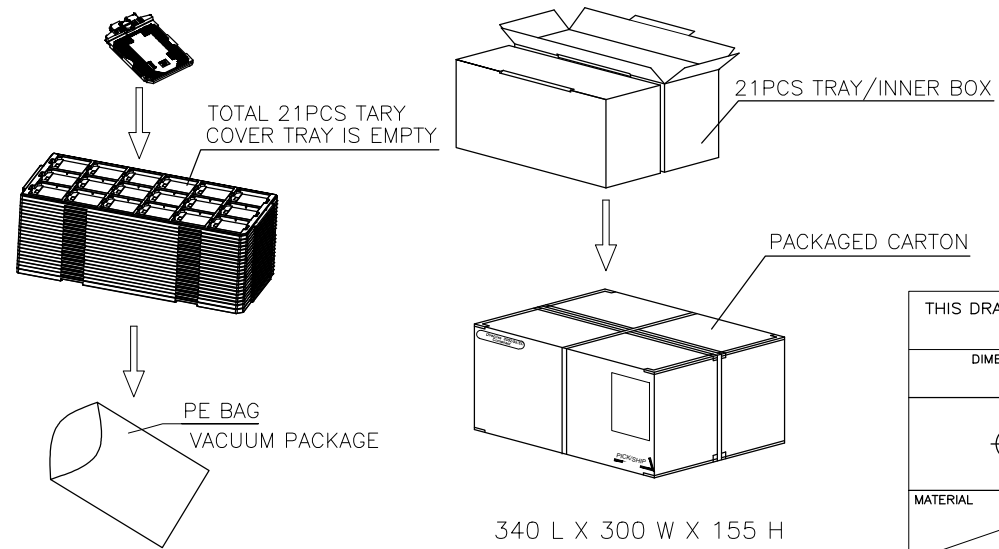
C



DETAIL A
SCALE 5:1

B

B



9.82KG	4.21KG	18	42	720	2041549-2
GROSS WEIGHT	NET WEIGHT	PCS/ TRAY	TRAY/ BOX	PCS/ BOX	PART NUMBER

2041549-2
PART NUMBER

A

A

THIS DRAWING IS A CONTROLLED DOCUMENT.

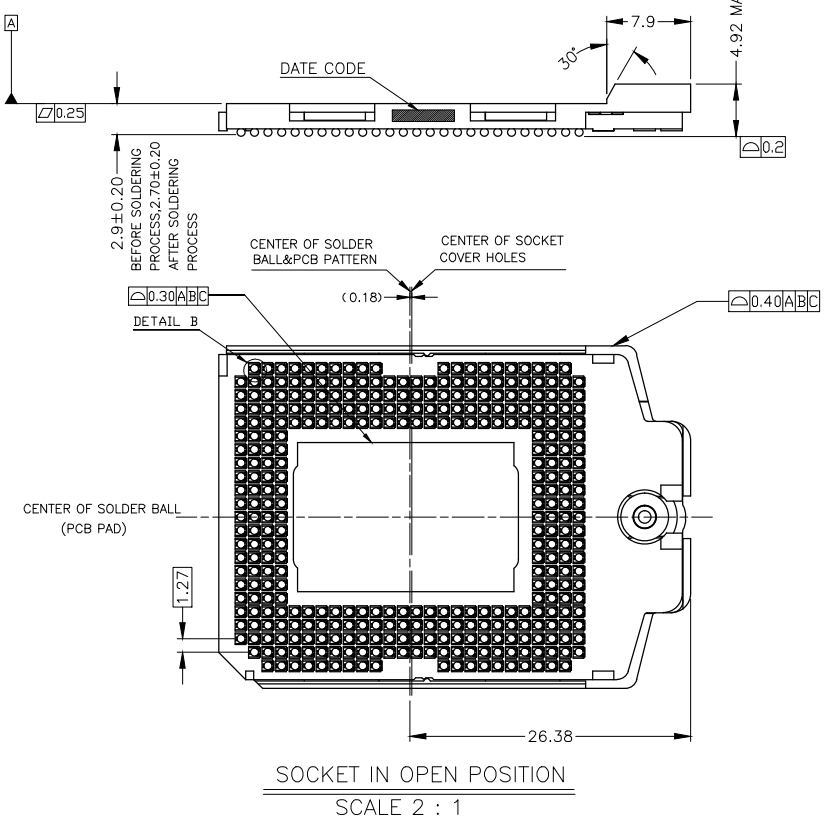
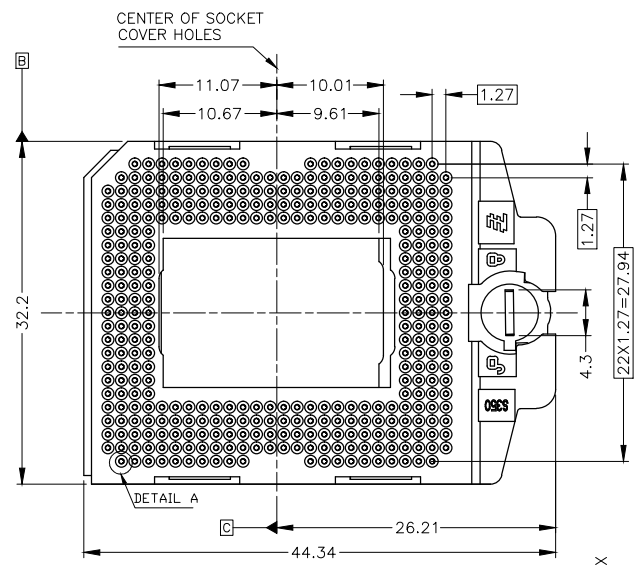
DIMENSIONS: mm 	TOLERANCES UNLESS OTHERWISE SPECIFIED: 0 PLC ± 0.3 1 PLC ± 0.3 2 PLC ± 0.2 3 PLC ± 0.15 4 PLC ± - ANGLES ± - FINISH	DWN	TE Connectivity NAME DMD 350 SOCKET CONNECTOR				
		CHK					
MATERIAL	APVD	SIZE		CAGE CODE	DRAWING NO	RESTRICTED TO	
	PRODUCT SPEC	A3		00779	©=2041549	—	
	APPLICATION SPEC	WEIGHT	CUSTOMER DRAWING		SCALE	SHEET	REV
		—			NA	2 of 5	A2

THIS DRAWING IS UNPUBLISHED. RELEASED FOR PUBLICATION
 ALL RIGHTS RESERVED.
 © COPYRIGHT 2013 BY --

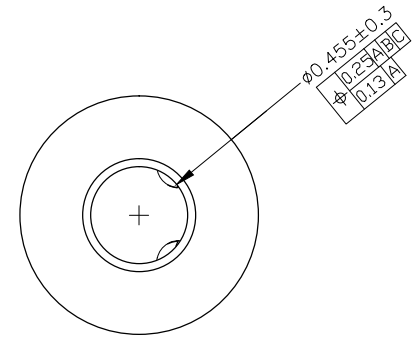
LOC	DIST	REVISIONS			
P	LTR	DESCRIPTION	DATE	DWN	APVD
-	-	SEE SHEET 1	-	-	-

NOTES:

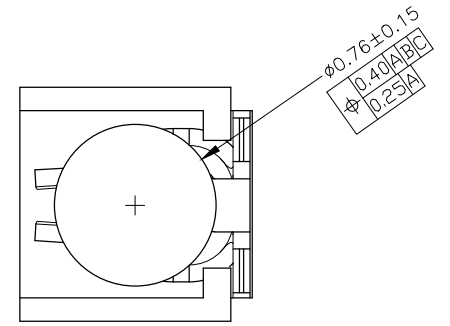
- MATERIAL:
 COVER: LCP WITH 30% GF, UL94 V-0, NATURAL COLOR.
 BASE: LCP WITH 30% GF, UL94 V-0, NATURAL COLOR.
 CAP: LCP WITH 30% GF, UL94 V-0, BLACK COLOR.
 CAM: STAINLESS STEEL.
 BASE PLATE: STAINLESS STEEL.
 COVER PLATE: STAINLESS STEEL.
 WASHER: STAINLESS STEEL.
 CONTACTS: HIGH PERFORMANCE COPPER ALLOY.
 SOLDER BALL: Sn-Ag-Cu, $\phi 0.76$
- FINISH:
 CONTACTS: GOLD FLASH PLATED ON CONTACT AREA, $1.27\mu\text{m}$ [50 μ] MIN. NICKEL UNDERPLATED
- REFLOW SOLDER CAPABLE TO 260°C PER TEC-109-201, METHOD B, CONDITION B.
- SUBSTANCE RESTRICTIONS FOR LOW HALOGEN (BY WEIGHT):
 - BROMINE (Br) ≤ 900 PPM (0.09%)
 - CHLORINE (Cl) ≤ 900 PPM (0.09%)
 - TOTAL CONCENTRATION OF (Cl) + (Br) ≤ 1500 PPM (0.15%)



SOCKET IN OPEN POSITION
SCALE 2 : 1



DETAIL A
SCALE 40 : 1



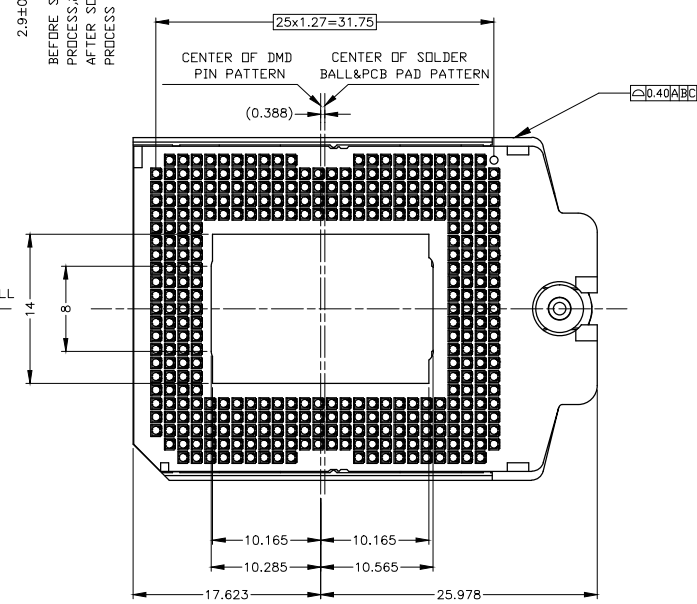
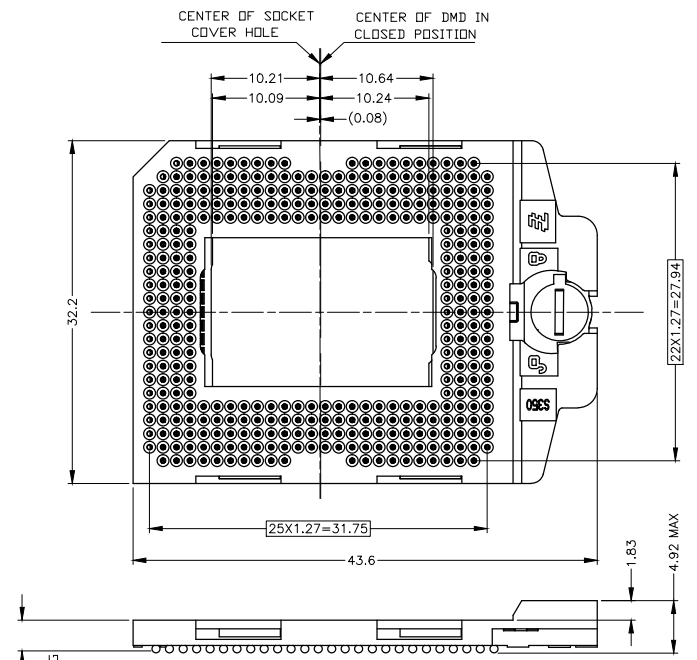
DETAIL B
SCALE 40 : 1

THIS DRAWING IS A CONTROLLED DOCUMENT.		DWN	TE Connectivity		
DIMENSIONS: mm		CHK	NAME		
TOLERANCES UNLESS OTHERWISE SPECIFIED:		APVD	DMD 350 SOCKET CONNECTOR		
0 PLC	± 0.3	PRODUCT SPEC	SIZE	CAGE CODE	DRAWING NO
1 FLC	± 0.3	APPLICATION SPEC	A3	00779	C=2041549
2 FLC	± 0.2	WEIGHT	RESTRICTED TO		
3 FLC	± 0.15	5.9g	-		
4 FLC	±	CUSTOMER DRAWING	SCALE	SHEET	REV
ANGLES	±		1:1	3 of 5	A2

THIS DRAWING IS UNPUBLISHED. RELEASED FOR PUBLICATION
 ALL RIGHTS RESERVED.

© COPYRIGHT 2013 By -

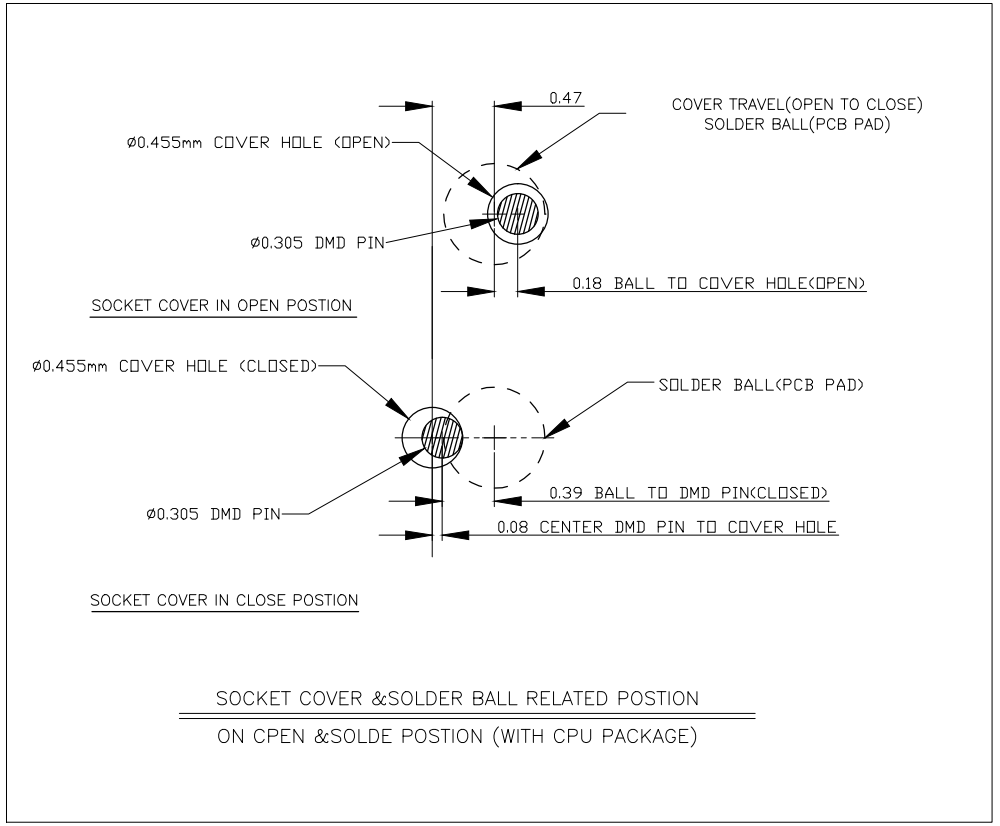
LOC		DIST		REVISIONS			
P	LTR	DESCRIPTION		DATE	DWN	APVD	
-	-	SEE SHEET 1		-	-	-	



SOCKET IN CLOSED POSITION

SCALE 2 : 1

CENTER OF COVER HOLE
(CENTER OF DMD PIN)



SOCKET COVER & SOLDER BALL RELATED POSITION
 ON OPEN & SOLDE POSITION (WITH CPU PACKAGE)

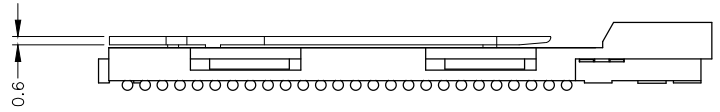
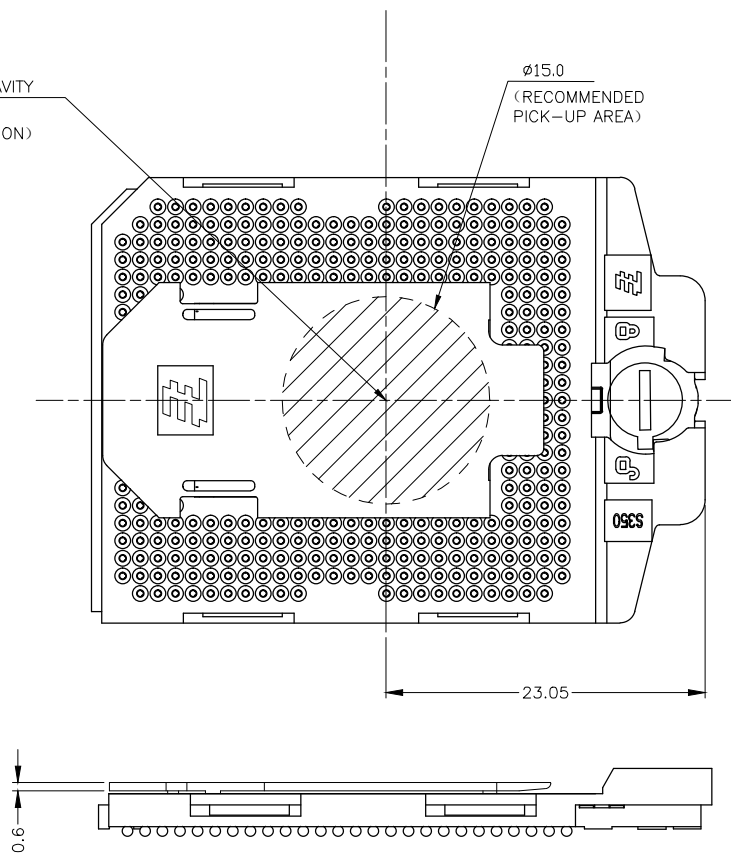
THIS DRAWING IS A CONTROLLED DOCUMENT.		DWN	TE Connectivity			
DIMENSIONS: mm		CHK				
TOLERANCES UNLESS OTHERWISE SPECIFIED:		APVD	NAME			
0 PLC ± - 1 FLC ± 0.3 2 FLC ± 0.2 3 FLC ± 0.15 4 FLC ± - ANGLES ± -		PRODUCT SPEC	DMD 350 SOCKET CONNECTOR			
MATERIAL		APPLICATION SPEC	SIZE	CAGE CODE	DRAWING NO	RESTRICTED TO
FINISH		WEIGHT	A3	00779	C=2041549	-
CUSTOMER DRAWING			SCALE	SHEET	REV	
			1:1	4 of 5	A2	

THIS DRAWING IS UNPUBLISHED. RELEASED FOR PUBLICATION ALL RIGHTS RESERVED.
 © COPYRIGHT 2013 By -

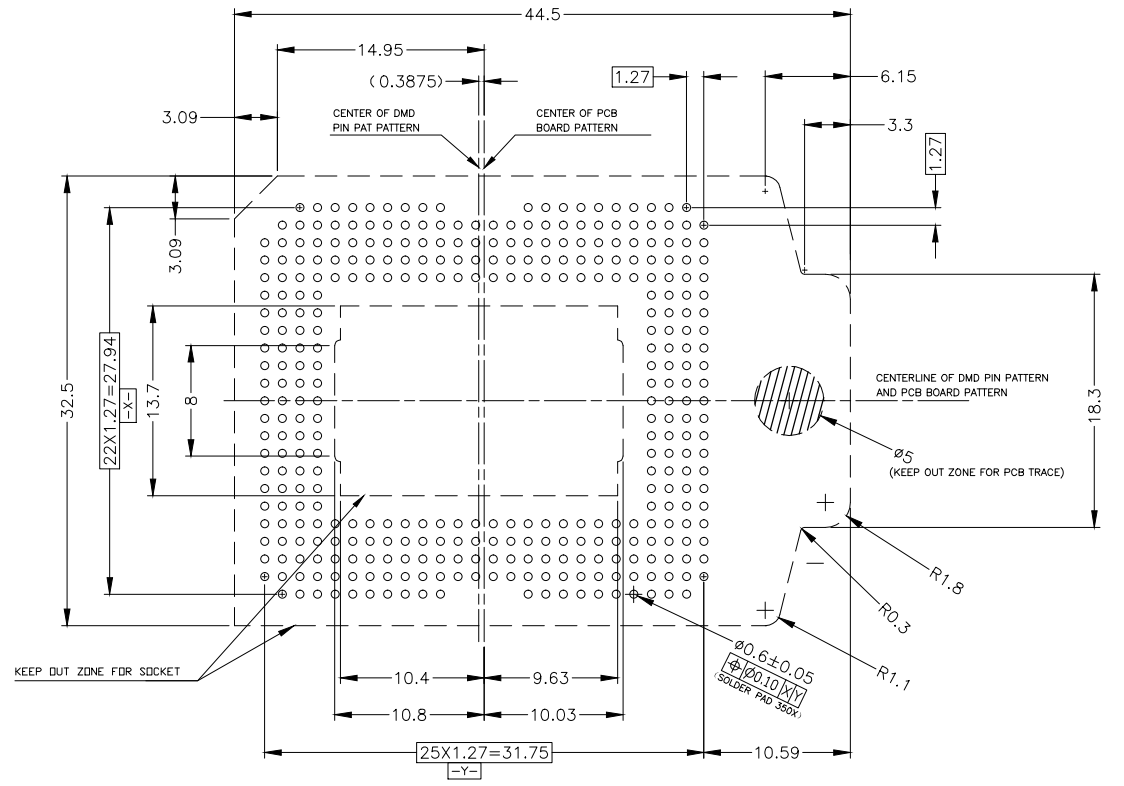
LOC	DIST	REVISIONS			DATE	DWN	APVD
P	LTR	DESCRIPTION					
-	-	SEE SHEET 1			-	-	-

CENTER OF GRAVITY
(RECOMMENDED PICK-UP LOCATION)

∅15.0
(RECOMMENDED PICK-UP AREA)



PLASTIC CAP LOCATION
 SOCKET IN OPEN POSITION LOCATION



RECOMMENDED PCB LAYOUT
 (TOLERANCE: ±0.05)

THIS DRAWING IS A CONTROLLED DOCUMENT.		DWN	-			TE Connectivity
DIMENSIONS: mm		CHK	-			
TOLERANCES UNLESS OTHERWISE SPECIFIED:		APVD	-			NAME
0 PLC ± -		PRODUCT SPEC	-			
1 PLC ± 0.3		APPLICATION SPEC	-			DMD 350 SOCKET CONNECTOR
2 PLC ± 0.2		WEIGHT	-			
3 PLC ± 0.15		SIZE		CAGE CODE	DRAWING NO	RESTRICTED TO
4 PLC ± -		A3		00779	C=2041549	
ANGLES ± -		CUSTOMER DRAWING		SCALE	SHEET	REV
FINISH		-		1:1	5 of 5	A2