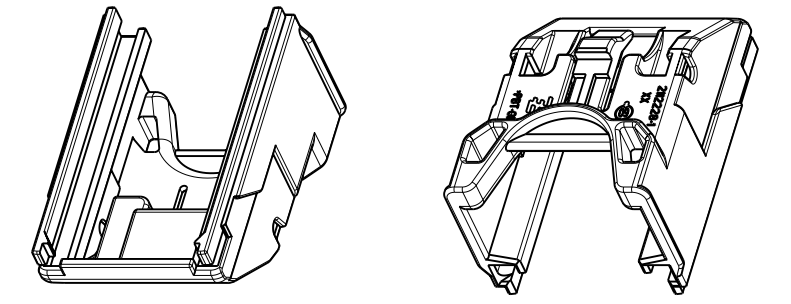
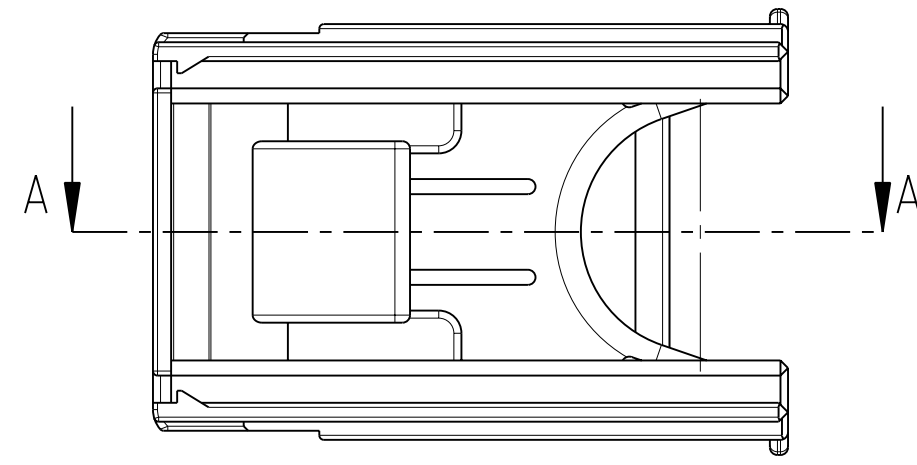


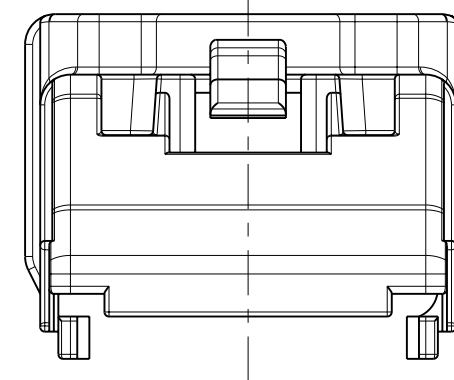
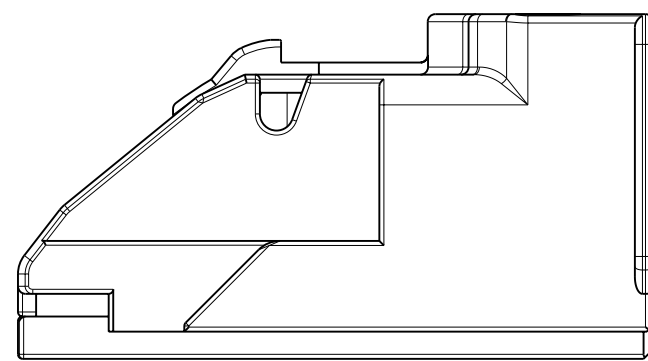
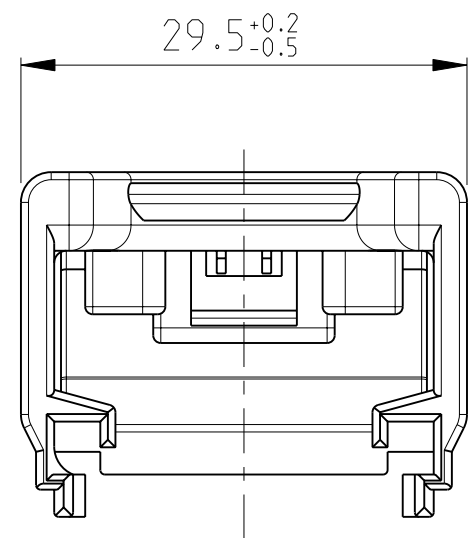
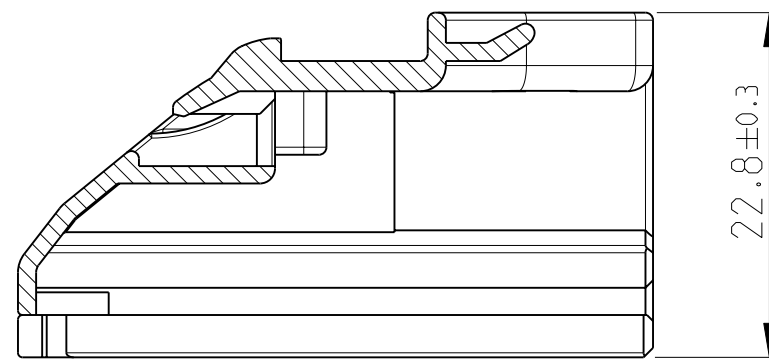
THIS DRAWING IS UNPUBLISHED
 RELEASED FOR PUBLICATION 2009
 © COPYRIGHT 2009 BY TYCO ELECTRONICS CORPORATION. ALL RIGHTS RESERVED.

LOC	DIST	REVISIONS			
P	LTR	DESCRIPTION	DATE	DWN	APVD
A	-	B	NEW DRAWING	08OCT2010	BF KR



1:1

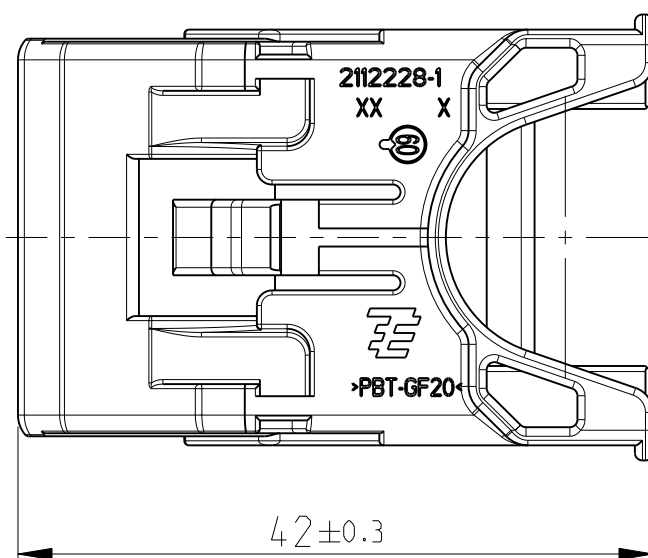
A-A



NOTES:
Bemerkungen:

- 1 PACKING: LOOSE PIECES IN CARDBOARD BOX: 973056-1
Verpackung: Schuettgut im Karton: 973056-1
- 2 MATED WITH:
 RECEPTACLE HOUSING 48WAY 0-1719678
 RECEPTACLE HOUSING 48WAY 0-1719683
 RECEPTACLE HOUSING 48WAY 0-1418416
 RECEPTACLE HOUSING 48WAY 0-1670067
 RECEPTACLE HOUSING 48WAY 0-1670068
 RECEPTACLE HOUSING 48WAY 0-1670069

- Verwendet mit:
 Buchsengehaeuse 48pos. 0-1719678
 Buchsengehaeuse 48pos. 0-1719683
 Buchsengehaeuse 48pos. 0-1418416
 Buchsengehaeuse 48pos. 0-1670067
 Buchsengehaeuse 48pos. 0-1670068
 Buchsengehaeuse 48pos. 0-1670069



QTY REQD PER ASSY	PART NO	REV	DESCRIPTION	MATERIAL	COLOUR	ITEM NO
	0-2112228-1	B	PROTECTION CAP	PBT-GF20	BLACK SIMILAR RAL9011	1
REVISION OF EACH ASSY NO (WHEN BLANK, USE DWG REVISION)						
PARTS LIST						

THIS DRAWING IS A CONTROLLED DOCUMENT FOR TYCO ELECTRONICS CORPORATION IT IS SUBJECT TO CHANGE AND THE CONTROLLING ENGINEERING ORGANIZATION SHOULD BE CONTACTED FOR THE LATEST REVISION.		DWN 14MAY2009 CHK 15MAY2009 APVD 16MAY2009 G. MUMPER	Tyco Electronics Tyco Electronics AMP GmbH 64625 Bensheim (Germany)
DIMENSIONS: mm	TOLERANCES UNLESS OTHERWISE SPECIFIED: 0 PLC ±0.50 1 PLC ±0.50 2 PLC ±0.50 3 PLC ± 4 PLC ± ANGLES ±1° FINISH	PRODUCT SPEC APPLICATION SPEC 114-18761-1 WEIGHT 5.9 CUSTOMER DRAWING	NAME PROTECTION CAP 48 WAY PCM CONNECTOR
MATERIAL -		SIZE A2 CAGE CODE 00779 DRAWING NO C-2112228	RESTRICTED TO - SCALE 2:1 SHEET 1 OF 1 REV B