

THIS DRAWING IS UNPUBLISHED.

RELEASED FOR PUBLICATION

© COPYRIGHT

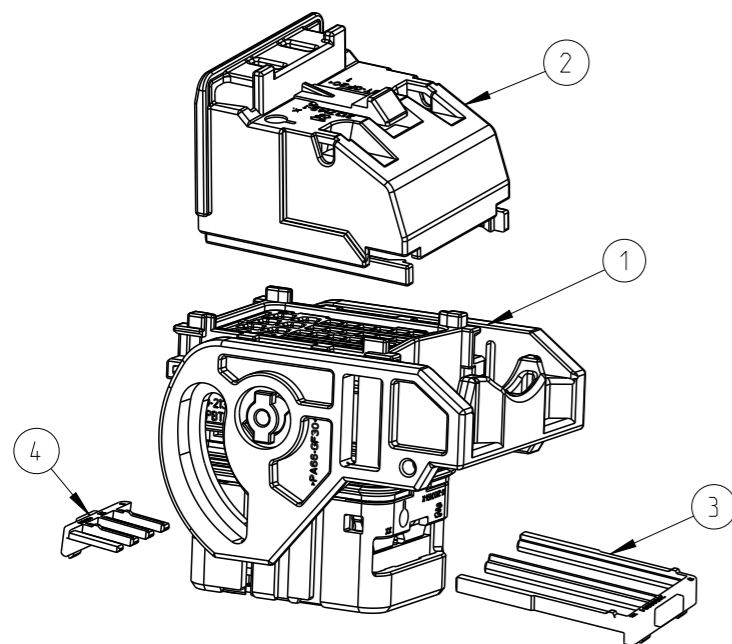
BY -TE CONNECTIVITY

ALL RIGHTS RESERVED.

REVISIONS

P	LTR	DESCRIPTION	DATE	DWN	APVD
	B8	ECN-21-115526	31AUG2021	J.L	J.Z
	B9	ECN-22-178654	11OCT22	J.L	J.Z
	B10	ECN-23-231735	19SEP23	J.H	J.Z
	B11	ECN-24-268526	03JUN24	A.G	J.Z

NOTE: EQUAL QUANTITY OF X-2137299-X COMPONENTS TO BE PACKAGED TOGETHER IN SAME SHIPPING BOX.



B11

PACKAGING PART NO. & QUANTITY														COMPONENT PART NO.	DESCRIPTION	ITEM NO.	
1	1	1	1	1	1	1	1	1	1	1	1	1	1	1	2050013-2	SHORT RETAINER	4
1	1	1	1	1	1	1	1	1	1	1	1	1	1	1	2050989-2	RETAINER,MQS	3
1	1	1	1	1	1	1	1	1	1	1	1	1	1	1	2137149-1	COVER MQS CB,90	2
						1									9-2278712-8	32P MIXED REC.HSG ASSY.CODE 5, LEVER LEFT	1
		1													9-2137296-7	32P MIXED REC.HSG ASSY.CODE 5, LEVER RIGHT	
										1					9-2137296-8	32P MIXED REC.HSG ASSY.CODE 5, LEVER RIGHT	
									1						9-2137296-9	32P MIXED REC.HSG ASSY.CODE 5, LEVER RIGHT	
			1												9-2300050-9	32P MIXED REC.HSG ASSY.CODE 3, LEVER RIGHT	
				1											9-2300052-9	32P MIXED REC.HSG ASSY.CODE 3, LEVER LEFT	
													1		9-2137297-8	32P MIXED REC.HSG ASSY.CODE 2, LEVER LEFT	
										1					9-2137297-9	32P MIXED REC.HSG ASSY.CODE 2, LEVER LEFT	
						1									9-2137152-9	32P MIXED REC.HSG ASSY.CODE 2, LEVER RIGHT	
	1														9-2137298-6	32P MIXED REC.HSG ASSY.CODE 1, LEVER LEFT	
													1		9-2137298-7	32P MIXED REC.HSG ASSY.CODE 1, LEVER LEFT	
													1		9-2137298-8	32P MIXED REC.HSG ASSY.CODE 1, LEVER LEFT	
										1					9-2137298-9	32P MIXED REC.HSG ASSY.CODE 1, LEVER LEFT	
															9-2137143-7	32P MIXED REC.HSG ASSY.CODE 1, LEVER RIHGT	
					1										9-2137143-8	32P MIXED REC.HSG ASSY.CODE 1, LEVER RIHGT	
								1							9-2137143-9	32P MIXED REC.HSG ASSY.CODE 1, LEVER RIHGT	

NOTES:

1. EQUAL QUANTITY OF x-2137299-x COMPONENTS TO BE PACKAGED TOGETHER IN SAME SHIPPING BOX.

2. APPLICATION TERMINALS SEE TABLE.

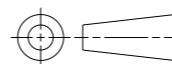
3. SPECIAL TERMINAL PERFORMANCE SEE RELEVANT SPEC.

APPLICATION TERMINALS

TERMINALS	REFER TO DRAWING	TE PN	WIRE SIZE (mm 2)	WIRE SIZE DIAMETER	NOTES
T0.64	1355900	X-968220-X	0.35	Ø1.2 - 1.3	BLIND PLUG 1394871-1
		X-968221-X	0.5 - 0.75	Ø1.4 - 1.9	
T1.5	638652	2050986-3	0.5-0.75	Ø1.7 -Ø1.9	BLIND PLUG 1670108-1
		638652-2	0.5 - 1.00	Ø1.4 - 2.1	
		638652-1	1.0 - 1.5	Ø1.9 - 2.4	

THIS DRAWING IS A CONTROLLED DOCUMENT.

DIMENSIONS: mm



TOLERANCES UNLESS OTHERWISE SPECIFIED:

0 PLC	± -
1 PLC	±0.5
2 PLC	±0.13
3 PLC	±0.013
4 PLC	±0.0001
ANGLES	± -
FINISH	± -

MATERIAL

DWN	G.ZHAO	09SEP2010
CHK	Y.YANG	14SEP2010
APVD	K.ODA	15SEP2010
PRODUCT SPEC	108-101283	
APPLICATION SPEC	114-18761-1	
WEIGHT		



PACKAGE COMPONENT LIST				RESTRICTED TO	
32POS MIXED RECEPTACLE HOUSING				SIZE	CAGE CODE
NAME		DRAWING NO			
A3		00779	©-2137299		
CUSTOMER DRAWING		SCALE	SHEET	OF	REV
		1:1	1	1	B11