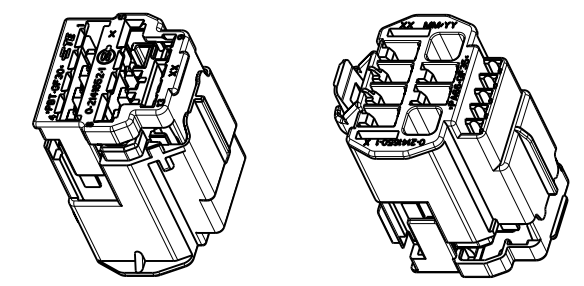
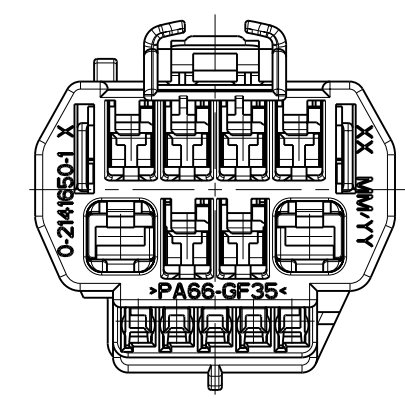
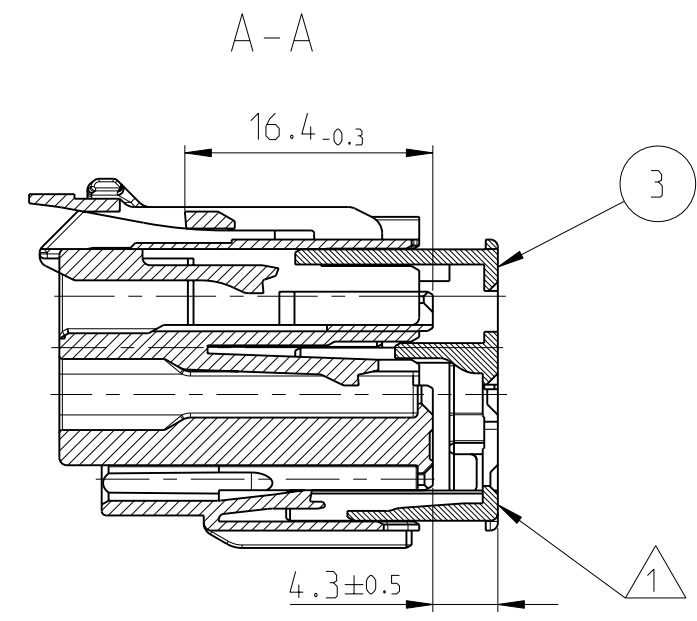
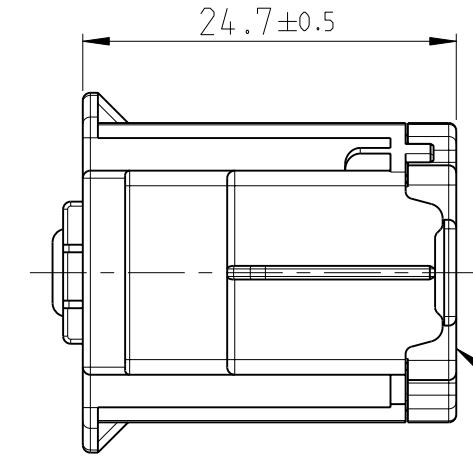
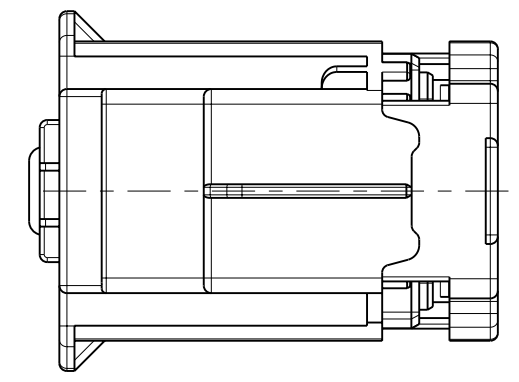
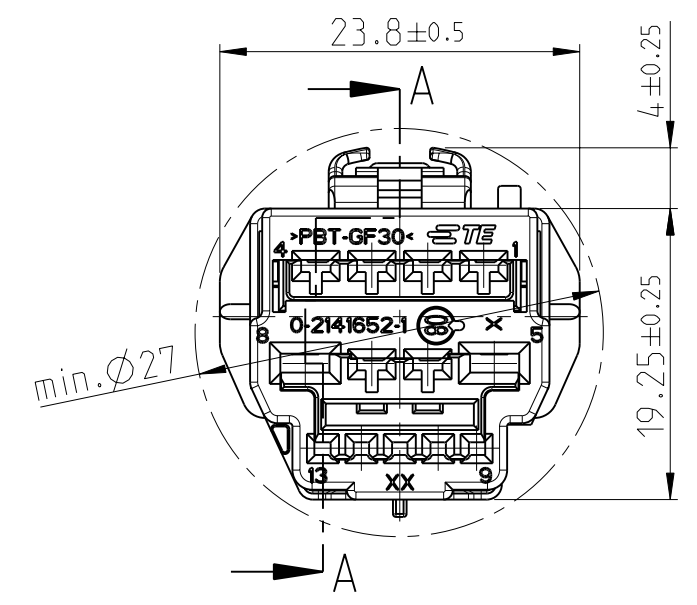


THIS DRAWING IS UNPUBLISHED. RELEASED FOR PUBLICATION 2011
 © COPYRIGHT 2011 Tyco Electronics AMP GmbH ALL RIGHTS RESERVED.

LOC	DIST	REVISIONS			
P	LTR	DESCRIPTION	DATE	DWN	APVD
A	-	NEW DRAWING	07JUN2011	GP	GM
B	-	ECR-12-008654	10MAY2012	GP	GM



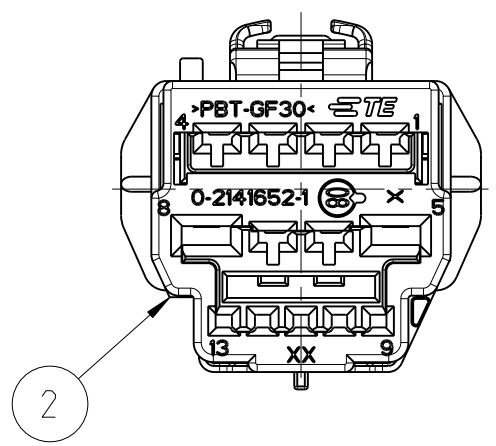
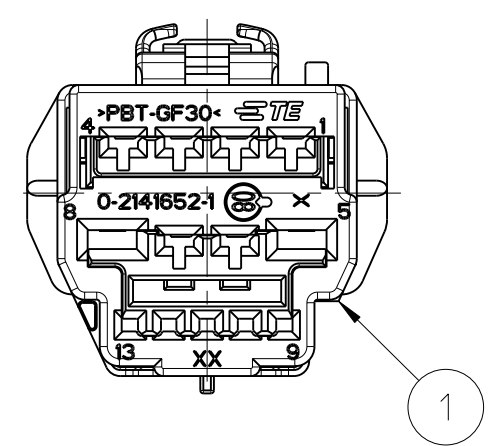
APPLICABLE TERMINALS

0.64 GENERATION Y UNSEALED FEMALE TERMINAL (0.13mm ²)	TIN	0-1456574-5	9U5T-14474-YA
0.64 GENERATION Y UNSEALED FEMALE TERMINAL (0.35mm ² -0.50mm ²)	TIN	0-1456574-1	9U5T-14474-DA
0.64 GENERATION Y UNSEALED FEMALE TERMINAL (0.75mm ²)	TIN	0-1456574-2	9U5T-14474-EA
FEMALE TERMINAL 1.5mm	TIN	YAZAKI PART	97BG-14474-AAB
FEMALE TERMINAL 1.5mm	TIN	YAZAKI PART	97BG-14474-ABB
FEMALE TERMINAL 1.5mm	TIN	YAZAKI PART	97BG-14474-ACB
FEMALE TERMINAL 1.5mm	GOLD	YAZAKI PART	97BG-14474-AFA
FEMALE TERMINAL 1.5mm	GOLD	YAZAKI PART	97BG-14474-AGA
2.8 UNSEALED FEMALE TERMINAL	TIN	FCI PART	XF2T-14474-CA
2.8 UNSEALED FEMALE TERMINAL	TIN	FCI PART	XF2T-14474-BA
2.8 UNSEALED FEMALE TERMINAL	TIN	FCI PART	F8VB-14474-BA
2.8 UNSEALED FEMALE TERMINAL	TIN	FCI PART	F8VB-14474-AA

DESCRIPTION	PLATING COLOUR	TE CONNECTIVITY COMP. PART NO:	FORD COMP. PART NO:
-------------	----------------	--------------------------------	---------------------

**0-2141648-1
CODING A / BLACK**

**0-2141648-2
CODING B / GREY**



NOTES:
Bemerkungen:

1 DELIVERY CONDITION: SPACER IN PRE-LOCK POSITION
Auslieferungszustand: Spacer in Vorraststellung

2 SPACER IN END-LOCK POSITION
Spacer in Endraststellung

QTY	REQD	PART NO	DESCRIPTION	COLOUR	ITEM NO
1x	1x	0-2141652-1	13POS. HYBRID SPACER	RED SIMILAR RAL3000	3
1x	-	0-2141650-2	13POS. HYBRID RECEPTACLE HOUSING CODING B	GREY SIMILAR RAL7037	2
-	1x	0-2141650-1	13POS. HYBRID RECEPTACLE HOUSING CODING A	BLACK SIMILAR RAL9011	1
0-2141648-2 0-2141648-1 ASSY NO					
6.65	6.65	WEIGHT OF EACH ASSY NO [g]			

-1 AS SHOWN
wie gezeichnet

DIMENSIONS:		TOLERANCES UNLESS OTHERWISE SPECIFIED:		MATERIAL		WEIGHT		CUSTOMER DRAWING	
mm		0 PLC	±0.30						
		1 PLC	±0.30						
		2 PLC	±0.30						
		3 PLC	±						
		4 PLC	±						
		ANGLES	±°						
		FINISH							

STE TE Connectivity

NAME: 13POS. HYBRID RECEPTACLE HOUSING ASSY
2 x APEX2.8.5 x GENERATION Y
6 x YESC1.5/MX150

SIZE: A2 CAGE CODE: 00779 DRAWING NO: C-2141648

SCALE: 2:1 SHEET 1 OF 1 REV B