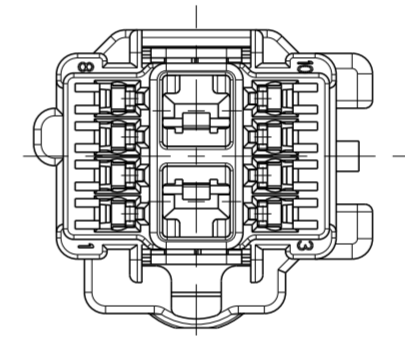
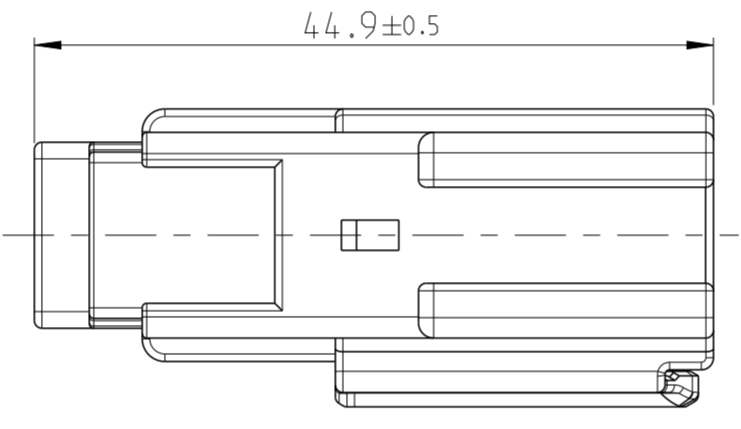
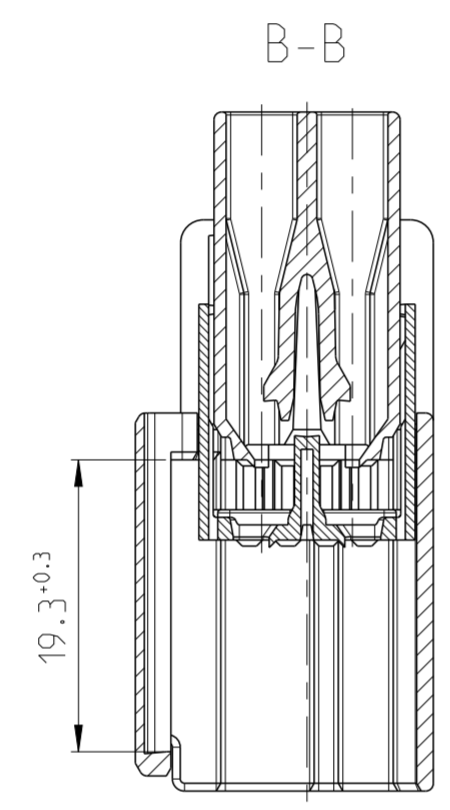
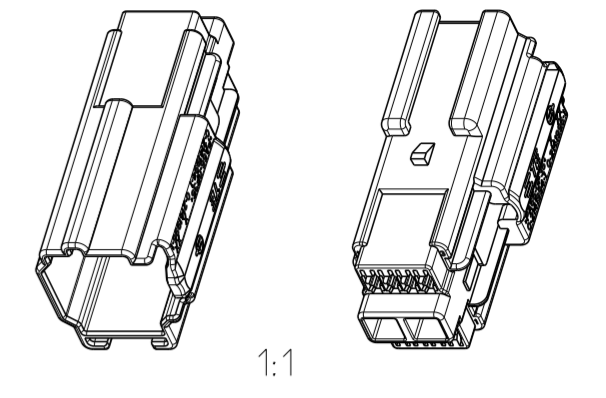
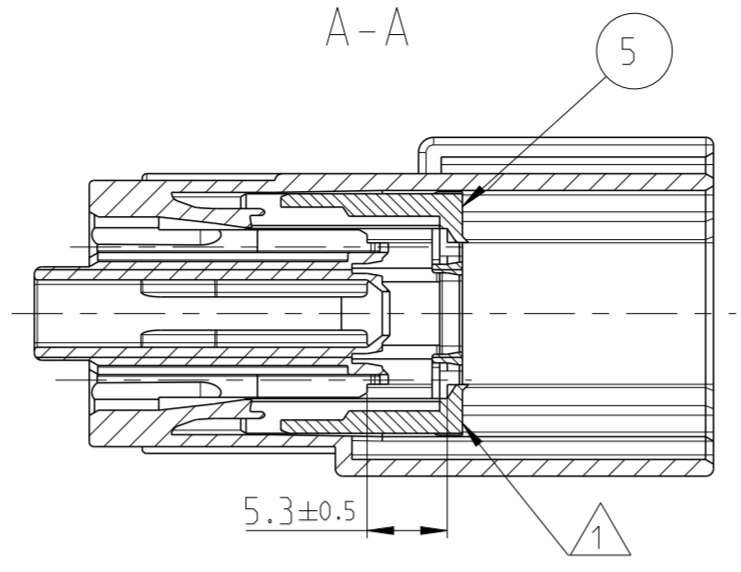
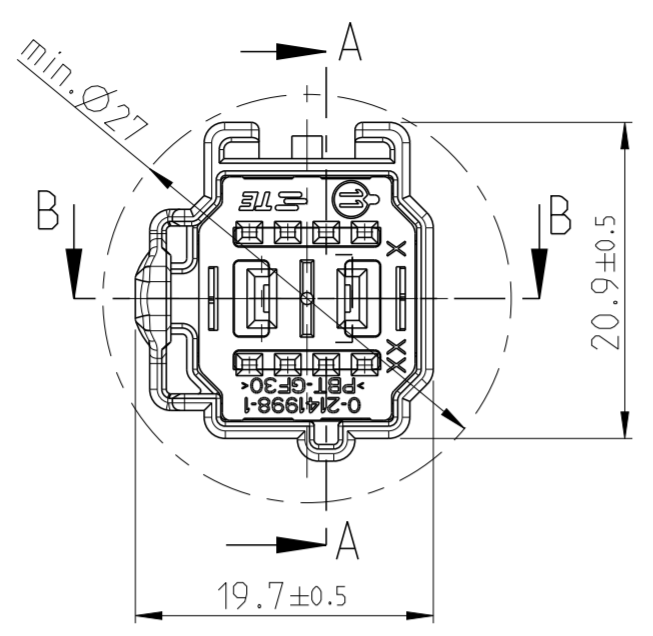


THIS DRAWING IS UNPUBLISHED. RELEASED FOR PUBLICATION 2011  
 © COPYRIGHT 2011 ALL RIGHTS RESERVED.

LOC	DIST	REVISIONS			
P	LTR	DESCRIPTION	DATE	DWN	APVD
A1	-	B1	ECR-12-020517	28NOV2012	GP GM

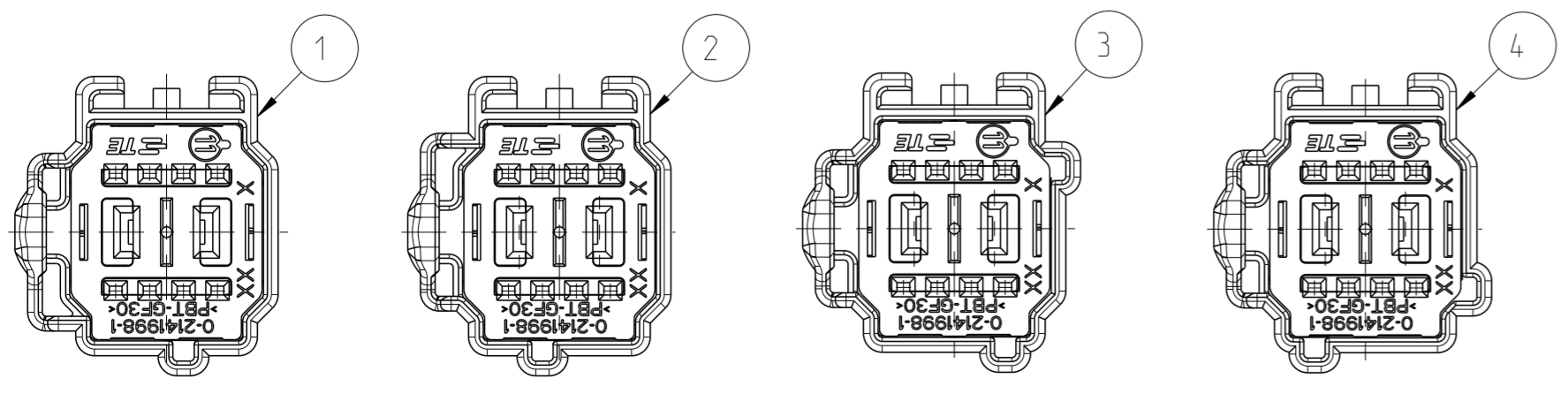


APPLICABLE TERMINALS		NEUTRAL	FORD	
0.64 GENERATION Y UNSEALED MALE TERMINAL ( 0.13mm <sup>2</sup> )	TIN	0-1924968-5	0-1924275-5	9U5T-14421-ZA
0.64 GENERATION Y UNSEALED MALE TERMINAL ( 0.35mm <sup>2</sup> -0.50mm <sup>2</sup> )	TIN	0-1924968-1	0-1924275-1	9U5T-14421-BA
0.64 GENERATION Y UNSEALED MALE TERMINAL ( 0.75mm <sup>2</sup> )	TIN	0-1924968-2	0-1924275-2	9U5T-14421-CA
2.8 UNSEALED MALE TERMINAL	TIN	FCI PART	FCI PART	8U5T-14421-BA
2.8 UNSEALED MALE TERMINAL	TIN	FCI PART	FCI PART	8U5T-14421-CA
2.8 UNSEALED MALE TERMINAL	TIN	FCI PART	FCI PART	8U5T-14421-DA
2.8 UNSEALED MALE TERMINAL	TIN	FCI PART	FCI PART	8U5T-14421-EA
DESCRIPTION	PLATING COLOUR	TE CONNECTIVITY COMP. PART NO:	TE CONNECTIVITY COMP. PART NO:	FORD COMP. PART NO:

NOTES:  
 Bemerkungen:  
 1 DELIVERY CONDITION: SPACER IN PRE-LOCK POSITION  
 Auslieferungszustand: Spacer in Vorraststellung

QTY REQD PER ASSY	PARTS LIST			
1x	1x	1x	1x	0-2141998-1 10POS SPACER - RED SIMILAR RAL3000 5
1x	-	-	-	0-2177617-1 10POS HYBRID TAB HOUSING CODING D - GREEN SIMILAR RAL6018 4
-	1x	-	-	0-2177616-1 10POS HYBRID TAB HOUSING CODING C - BLUE SIMILAR RAL5012 3
-	-	1x	-	0-2141997-1 10POS HYBRID TAB HOUSING CODING B - GREY SIMILAR RAL7037 2
-	-	-	1x	0-2141996-1 10POS HYBRID TAB HOUSING CODING A - BLACK SIMILAR RAL9011 1
0-2177615-1	0-2177614-1	0-2141995-1	0-2141994-1	PART NO DESCRIPTION COLOUR ITEM NO
-	-	-	-	REVISION OF EACH ASSY NO (WHEN BLANK, USE DWG REVISION)

0-2141994-1 CODING A / BLACK    0-2141995-1 CODING B / GREY    0-2177614-1 CODING C / BLUE    0-2177615-1 CODING D / GREEN



-1 AS SHOWN wie gezeichnet

THIS DRAWING IS A CONTROLLED DOCUMENT.

DIMENSIONS: mm	TOLERANCES UNLESS OTHERWISE SPECIFIED:	DWN G.PUCKEL 18APR2011	TE Connectivity NAME 10POS. HYBRID TAB HOUSING ASSEMBLY 8 x GENERATION Y AND 2 x APEX2.8
MATERIAL	FINISH	CHK K.ROTH 18APR2011	
		APVD G.MUMPER 19APR2011	
APPLICATION SPEC		PRODUCT SPEC	SIZE CAGE CODE DRAWING NO RESTRICTED TO
WEIGHT		SCALE 2:1 SHEET 1 OF 1 REV B1	

CUSTOMER DRAWING