

LOC A1	DIST -	REVISIONS				
P	LTR	DESCRIPTION	DATE	DWN	APVD	
	A	NEW DRAWING	26SEP2011	GP	GM	

SEE CUSTOMER DRAWING 2141994
Siehe Kundenzzeichnung 2141994

2011


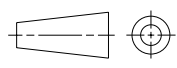
RELEASED FOR PUBLICATION

ALL RIGHTS RESERVED.

Tyco Electronics AMP GmbH

© COPYRIGHT 2011

THIS DRAWING IS UNPUBLISHED.

DIMENSIONS: mm		DWN G.PUCKEL	26SEP2011	MATERIAL	-	FINISH	-
TOLERANCES UNLESS OTHERWISE SPECIFIED:		CHK K.ROTH	26SEP2011	 TE Connectivity			
		APVD -	-				
0 PLC ±		PRODUCT SPEC		NAME 10POS. HYBRID TAB HOUSING ASSEMBLY			
1 PLC ±		-					
2 PLC ±		APPLICATION SPEC		SIZE	CAGE CODE	DRAWING NO	RESTRICTED TO
3 PLC ±		-		A 4	00779	©-2141995	-
4 PLC ±		WEIGHT					
ANGLES ±		-					
		CUSTOMER DRAWING		SCALE	-	SHEET 1 OF 1	REV A