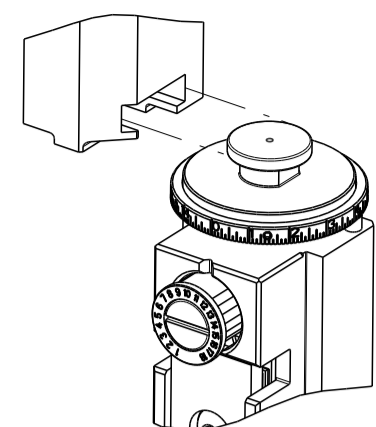


THIS DRAWING IS UNPUBLISHED.	RELEASED FOR PUBLICATION	2015	
COPYRIGHT 2015 BY TYCO ELECTRONICS CORPORATION. ALL RIGHTS RESERVED.			
PART NUMBER	REVISION	DESCRIPTION	FEED TYPE
2150129-2	C	FINE CRIMP HEIGHT ADJUST	PNEUMATIC
7-2150129-2	C	PNEUMATIC AND CRIMP TOOLING KIT	PNEUMATIC
7-2150129-7	A	CRIMP TOOLING KIT	-

ATLANTIC VERSION TERMINATOR INTERFACE ADAPTER



APPLICATOR DATA		
CRIMP	SIZE	TYPE
WIRE	2.79 mm [.110]	F
INSUL	4.57 mm [.180]	O
APPL INSTRUCTIONS 408-35043		

TERMINAL DATA: TE TERMINAL TE CRIMP SPECIFICATION			
TERMINAL NAME: .250 SERIES FASTON FLAG			
WIRE STRIP LENGTH		INSULATION DIAMETER RANGE	
4.39-5.15 mm [.173-.203 IN]		Ø2.79-5.08 mm [.110-.200 IN]	
TERMINAL APPLICATION SPECIFICATION	114-2079	-	-
TERMINALS APPLIED			
TE TERMINAL	TE TERMINAL	TE TERMINAL	TE TERMINAL
63538-1	63538-3	63963-1	

TERMINAL DATA: TE TERMINAL TE CRIMP SPECIFICATION			
TERMINAL NAME: .250 SERIES FASTON FLAG			
WIRE STRIP LENGTH		INSULATION DIAMETER RANGE	
4.39-5.15 mm [.173-.203 IN]		Ø2.79-4.06 mm [.110-.160 IN]	
TERMINAL APPLICATION SPECIFICATION	114-2079	-	-
TERMINALS APPLIED			
TE TERMINAL	TE TERMINAL	TE TERMINAL	TE TERMINAL
62811-1	62811-2		

WIRE SIZE	CRIMP HEIGHT mm [INCH]	CRIMP HEIGHT REFERENCE SETTING
14 AWG	1.96+/-0.05 [.077+/-0.002]	3.7
(2) 18 AWG	1.80+/-0.05 [.071+/-0.002]	5.6
16 AWG	1.73+/-0.05 [.068+/-0.002]	6.0
18 AWG	1.57+/-0.05 [.062+/-0.002]	7.8

WIRE SIZE	CRIMP HEIGHT mm [INCH]	CRIMP HEIGHT REFERENCE SETTING
14 AWG	1.96+/-0.05 [.077+/-0.002]	3.7
(2) 18 AWG	1.80+/-0.05 [.071+/-0.002]	5.6
16 AWG	1.73+/-0.05 [.068+/-0.002]	6.0
18 AWG	1.57+/-0.05 [.062+/-0.002]	7.8



- RECOMMENDED SPARE PARTS
- REFER TO SUPPLIED INSTRUCTION SHEET FOR CLEANING, LUBRICATION AND STORAGE OF APPLICATOR.
- APPLY PART NUMBER 2-23419-6 LOCTITE TO THREADS OF ITEM 242.
- CRIMP HEIGHT REFERENCE SETTING WAS THE SETTING USED WHEN THE APPLICATOR WAS QUALIFIED AT THE FACTORY. ADJUSTMENT MAY BE NECESSARY WHEN RUNNING APPLICATOR IN THE FIELD.
- TERMINAL PITCH NOT COMPATIBLE WITH MECHANICAL FEED.
- TERMINAL LUBRICANT IS RECOMMENDED.

**\*WARNING**  
ON INSTALLATION, SET WIRE DISC TO CRIMP HEIGHT REFERENCE SETTING FOR LARGEST WIRE SIZE. CRIMP HEIGHT REFERENCE SETTINGS GREATER THAN THE VALUE SHOWN MAY CAUSE DAMAGE TO THE CRIMP TOOLING, REFER TO THE INSTRUCTION SHEET FOR PROPER SETUP AND ADJUSTMENTS.

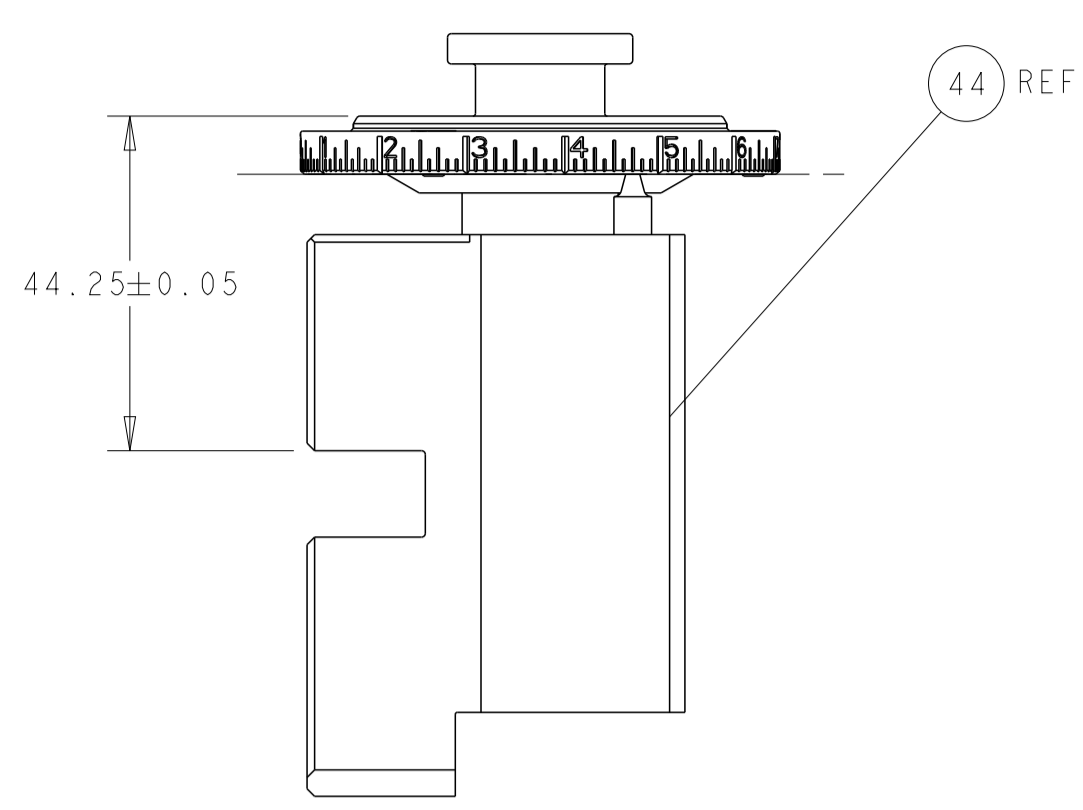
LOC	DIST	REVISIONS					
A	66	P	LTN	DESCRIPTION	DATE	OWN	APVD
		A		RELEASED	05MAY2015	BW	TE
		B		ECR-18-014814	18SEP2018	JAH	TE
		C		ECR-22-126996	18JAN2022	JWC	RK

-	1	1	2119641-1	FEED CAM, AIR FEED	248	
-	1	1	2119082-9	CAM, SNAIL, INSULATION ADJUSTMENT	244	
-	1	1	2079764-1	WASHER, WAVE SPRING, CREST-TO-CREST	243	
-	1	1	2119083-1	RETAINER, INSULATION DIAL	242	
-	1	1	2844940-3	AIR FEED MODULE	238	
-	1	1	1-18028-0	WASHER, FLAT, REG M8	192	
-	2	2	1-2168083-1	SCR, SKT HD CAP, RoHS, M3 X 6	191	
-	REF	REF	994970-2	COUNTER, MAGNETIC	164	
-	1	1	2119955-2	ASSY, LUBRICATOR, END FEED	84	
-	1	1	455888-6	SPACER, CRIMPER	82	
-	1	1	1803607-4	DOCUMENTATION PACKAGE	71	
-	2	2	3-18032-3	SCR, SET, FLT PNT, M3 X 20.0	70	
-	1	1	2119740-1	TAG, IDENTIFICATION	67	
-	2	2	2168078-1	SCREW, DRIVE, RH, RoHS, 2 x .188	66	
-	1	1	2168083-2	SCR, SKT HD CAP, RoHS, M4 X 8.0	60	
-	1	1	5-18022-5	SCR, HEX HD CAP, M4 X 6.0	59	
-	4	4	2168400-1	SHCS, LOW HEAD, RoHS, M4 X 12	57	
-	2	2	2168083-2	SCR, SKT HD CAP, RoHS, M4 X 8.0	56	
-	2	2	5018030-1	NUT, HEX, REG, RoHS, M3	54	
-	2	2	986965-8	NUT, LOCK, HEX, TORQUE (M4)	53	
-	1	1	2063961-5	FEED FINGER	51	
-	1	1	18023-9	SCR, SKT HD CAP M4 X 6.0	49	
-	1	1	2119655-5	APPLICATOR BASIC ASSEMBLY, EF	46	
-	1	1	1803517-1	RAM ASSEMBLY, EF ATLANTIC	44	
-	1	1	1803602-1	SCR, BHSC, RoHS (M8 X 25)	41	
-	8	8	1-18028-2	WASHER, FLAT, REG M4	33	
-	2	2	1-2168083-2	SCR, SKT HD CAP, RoHS, M4 X 25	31	
-	2	2	2168083-2	SCR, SKT HD CAP, RoHS, M4 X 8.0	29	
-	1	1	468281-1	STRIPPER	27	
-	2	2	1-2168083-6	SCR, SKT HD CAP, RoHS, M4 X 35	25	
-	1	1	2161922-4	PLATE, STRIP GUIDE	24	
-	2	2	22281-6	SPRING, COMPRESSION	22	
-	1	1	1633168-2	ARM, STOCK DRAG	21	
-	1	1	464452-4	DRAG, STOCK	20	
-	1	1	3-1901696-2	STRIP GUIDE, REAR	19	
-	1	1	1-1901259-1	GUIDE, LOWER STRIP	18	
-	4	4	1-2079383-1	SCR, BHSC, RoHS (M6 X 12)	17	
-	1	1	469633-1	BLOCK, SUPPORT	14	
-	1	1	461160-1	PLATE, REAR SHEAR	11	
-	2	2	5-240645-2	SPACER, SHEAR PLATE	10	
-	1	1	455961-3	PLATE, FRONT SHEAR	9	
-	1	2	1	7-1803000-0	ANVIL, COMBINATION, END FEED	8
-	1	1	1	1-469634-9	BLADE, SLUG	7
-	-	-	-	-	6	
-	1	1	1	238011-2	BLOCK, CRIMPER SPACER	4
-	1	2	1	1803229-1	CRIMPER, INSULATION O PREMIUM	3
-	1	1	1	1-455888-8	SPACER, CRIMPER	2
-	1	2	1	2-464112-4	CRIMPER, WIRE	1
-	77	72	-2	PART NO	ITEM NO	

DIMENSIONS: mm		TOLERANCES UNLESS OTHERWISE SPECIFIED:		DWG: B. WEAVER 03MAR2015		CHK: T. ELBIN 03MAR2015		APVD: T. ELBIN 03MAR2015		NAME: Ocean End Feed Applicator	
0 PLC	±	1 PLC	±	2 PLC	±	3 PLC	±	4 PLC	±	ANGLES	±
MATERIAL: -		FINISH: -		WEIGHT: -		SIZE: A1		CAGE CODE: 00779		DRAWING NO: C-2150129	
Customer Accessible Production Drawing				SCALE: 1:1		SHEET: 1 of 4		REV: C			

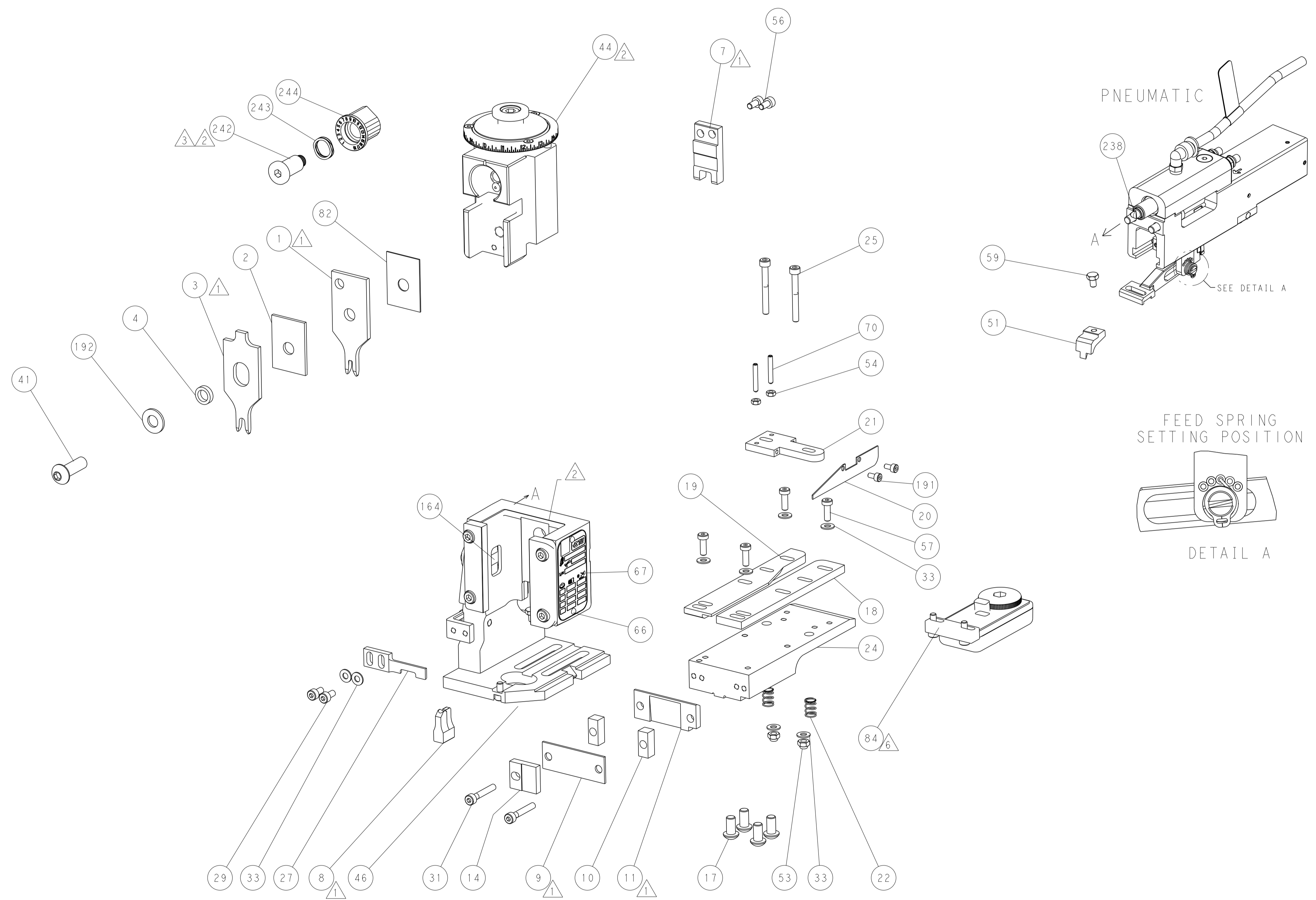
ATLANTIC VERSION  
Shown on sheets 1 of 4 & 2 of 4  
(Pacific version shown on sheets 3 of 4 & 4 of 4)

LOC	DIST	REV	DATE	BY	APPV
A	66				
REVISIONS			DATE	BY	APPV
DESCRIPTION					
SEE SHEET 1					

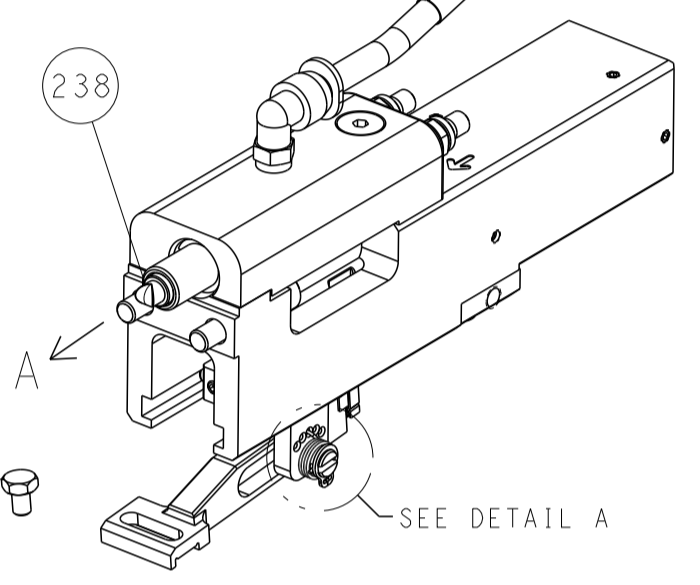


RAM SET-UP

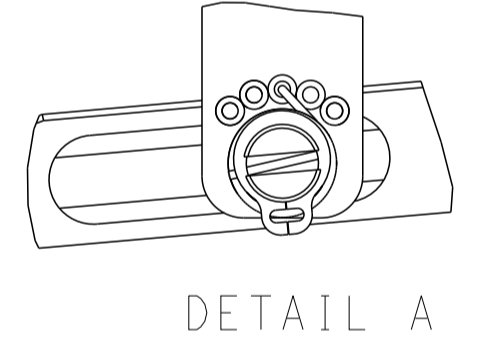
FEED TYPE



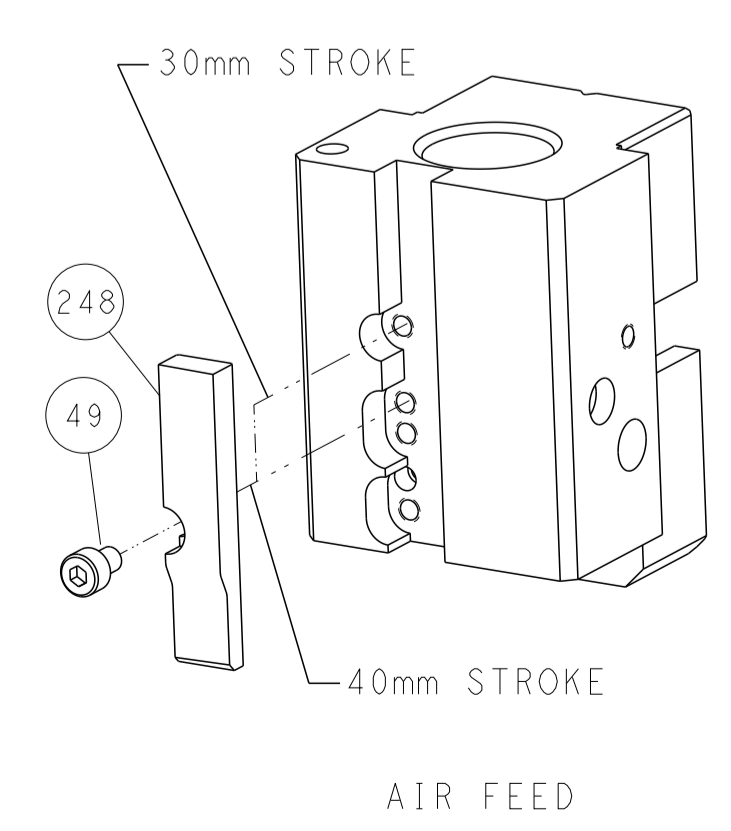
PNEUMATIC



FEED SPRING SETTING POSITION



CAM POSITIONS

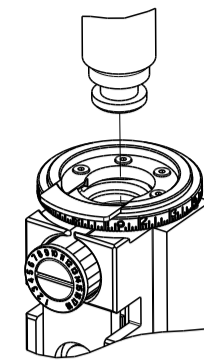


**ATLANTIC VERSION**  
 Shown on sheets 1 of 4 & 2 of 4  
 (Pacific version shown on sheets 3 of 4 & 4 of 4)

DIMENSIONS:		TOLERANCES UNLESS OTHERWISE SPECIFIED:		DWN B. WEAVER 03MAR2015		TE Connectivity	
mm	0 PLC ±	1 PLC ±	2 PLC ±	3 PLC ±	4 PLC ±	5 PLC ±	Harrisburg, PA 17105-3608
MATERIAL:		FINISH:		APVD T. ELBIN 03MAR2015		NAME	
				PRODUCT SPEC		Ocean End Feed Applicator	
				APPLICATION SPEC		SIZE CAGE CODE DRAWING NO	
				WEIGHT		RESTRICTED TO	
				A 00779 C=2150129		Customer Accessible Production Drawing	
				SCALE 1:1		SHEET 2 OF 4 REV C	

THIS DRAWING IS UNPUBLISHED.	RELEASED FOR PUBLICATION	2015	
COPYRIGHT 2015 BY TYCO ELECTRONICS CORPORATION. ALL RIGHTS RESERVED.			
PART NUMBER	REVISION	DESCRIPTION	FEED TYPE
2-2150129-2	C	FINE CRIMP HEIGHT ADJUST	PNEUMATIC
7-2150129-7	A	CRIMP TOOLING KIT	-

PACIFIC VERSION TERMINATOR  
INTERFACE ADAPTER



APPLICATOR DATA		
CRIMP	SIZE	TYPE
WIRE	2.79 mm [.110]	F
INSUL	4.57 mm [.180]	O
APPL INSTRUCTIONS 408-35043		

TERMINAL DATA: TE TERMINAL		TE CRIMP SPECIFICATION	
TERMINAL NAME: .250 SERIES FASTON FLAG			
WIRE STRIP LENGTH		INSULATION DIAMETER RANGE	
4.39-5.15 mm [.173-.203 IN]		∅2.79-5.08 mm [.110-.200 IN]	
TERMINAL APPLICATION SPECIFICATION	114-2079	-	-
TERMINALS APPLIED			
TE TERMINAL	TE TERMINAL	TE TERMINAL	TE TERMINAL
63538-1	63538-3	63963-1	

TERMINAL DATA: TE TERMINAL		TE CRIMP SPECIFICATION	
TERMINAL NAME: .250 SERIES FASTON FLAG			
WIRE STRIP LENGTH		INSULATION DIAMETER RANGE	
4.39-5.15 mm [.173-.203 IN]		∅2.79-4.06 mm [.110-.160 IN]	
TERMINAL APPLICATION SPECIFICATION	114-2079	-	-
TERMINALS APPLIED			
TE TERMINAL	TE TERMINAL	TE TERMINAL	TE TERMINAL
62811-1	62811-2		

WIRE SIZE	CRIMP HEIGHT mm [INCH]	CRIMP HEIGHT REFERENCE SETTING
14 AWG	1.96+/-0.05 [.077+/- .002]	3.7
(2) 18 AWG	1.80+/-0.05 [.071+/- .002]	5.6
16 AWG	1.73+/-0.05 [.068+/- .002]	6.0
18 AWG	1.57+/-0.05 [.062+/- .002]	7.8

WIRE SIZE	CRIMP HEIGHT mm [INCH]	CRIMP HEIGHT REFERENCE SETTING
14 AWG	1.96+/-0.05 [.077+/- .002]	3.7
(2) 18 AWG	1.80+/-0.05 [.071+/- .002]	5.6
16 AWG	1.73+/-0.05 [.068+/- .002]	6.0
18 AWG	1.57+/-0.05 [.062+/- .002]	7.8

- RECOMMENDED SPARE PARTS
- REFER TO SUPPLIED INSTRUCTION SHEET FOR CLEANING, LUBRICATION AND STORAGE OF APPLICATOR.
- APPLY PART NUMBER 2-23419-6 LOCTITE TO THREADS OF ITEM 242.
- CRIMP HEIGHT REFERENCE SETTING WAS THE SETTING USED WHEN THE APPLICATOR WAS QUALIFIED AT THE FACTORY. ADJUSTMENT MAY BE NECESSARY WHEN RUNNING APPLICATOR IN THE FIELD.
- TERMINAL PITCH NOT COMPATIBLE WITH MECHANICAL FEED.
- TERMINAL LUBRICANT IS RECOMMENDED.

**\*WARNING**  
ON INSTALLATION, SET WIRE DISC TO CRIMP HEIGHT REFERENCE SETTING FOR LARGEST WIRE SIZE. CRIMP HEIGHT REFERENCE SETTINGS GREATER THAN THE VALUE SHOWN MAY CAUSE DAMAGE TO THE CRIMP TOOLING, REFER TO THE INSTRUCTION SHEET FOR PROPER SETUP AND ADJUSTMENTS.

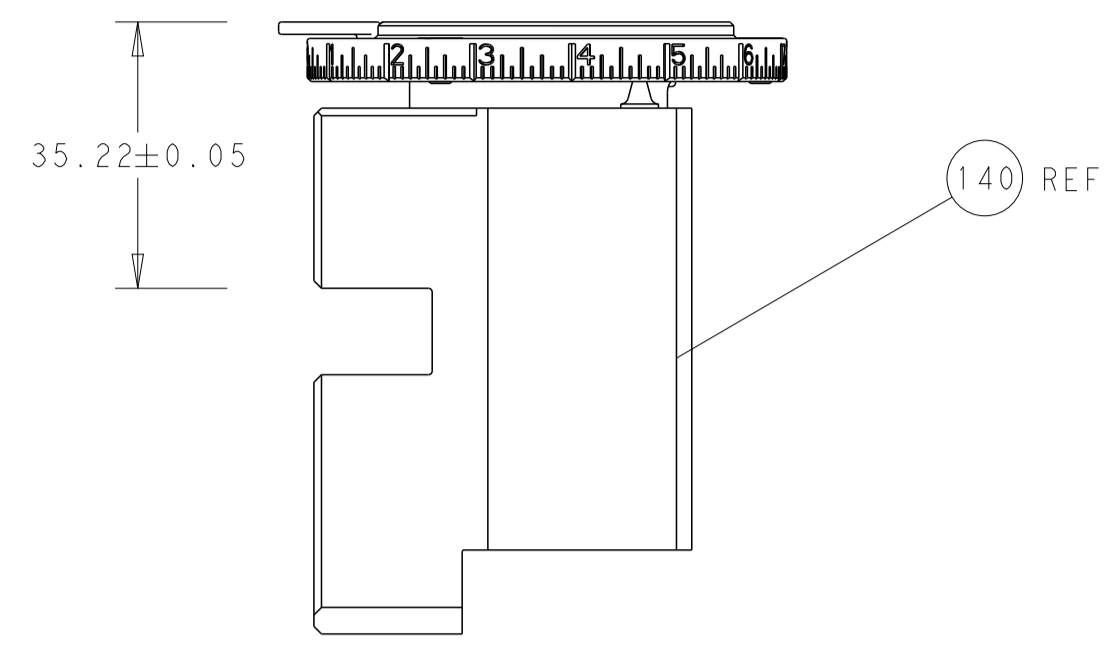
LOC	DIST	REVISIONS					
A	66	P	LTN	DESCRIPTION	DATE	DWN	APVD
		-		SEE SHEET 1	-	-	-

	-	1	2119082-9	CAM, SNAIL, INSULATION ADJUSTMENT	244
	-	1	2079764-1	WASHER, WAVE SPRING, CREST-TO-CREST	243
	-	1	2119083-1	RETAINER, INSULATION DIAL	242
	-	1	2844940-3	AIR FEED MODULE	238
	-	1	1-18028-0	WASHER, FLAT, REG M8	192
	-	2	1-2168083-1	SCR, SKT HD CAP, RoHS, M3 X 6	191
	-	4	2079383-9	SCR, BHSC, RoHS (M6 X 20)	186
	-	REF	994970-2	COUNTER, MAGNETIC	164
	-	1	2119641-2	FEED CAM, AIR FEED	152
	-	1	2168083-8	SCR, SKT HD CAP, RoHS, M4 X 16	144
	-	-	2119653-2	FEED CAM, POST FEED	142
	-	1	2119655-6	APPLICATOR BASIC ASSEMBLY, EF	141
	-	1	1803518-1	RAM ASSEMBLY, EF PACIFIC	140
	-	1	2119955-2	ASSY, LUBRICATOR, END FEED	84
	-	1	455888-6	SPACER, CRIMPER	82
	-	1	1803607-4	DOCUMENTATION PACKAGE	71
	-	2	3-18032-3	SCR, SET, FLT PNT, M3 X 20.0	70
	-	1	2119740-1	TAG, IDENTIFICATION	67
	-	2	2168078-1	SCREW, DRIVE, RH, RoHS, 2 x .188	66
	-	1	5-18022-5	SCR, HEX HD CAP, M4 X 6.0	59
	-	4	2168400-1	SHCS, LOW HEAD, RoHS, M4 X 12	57
	-	2	2168083-2	SCR, SKT HD CAP, RoHS, M4 X 8.0	56
	-	2	5018030-1	NUT, HEX, REG, RoHS, M3	54
	-	2	986965-8	NUT, LOCK, HEX, TORQUE (M4)	53
	-	1	2063961-5	FEED FINGER	51
	-	1	18023-9	SCR, SKT HD CAP M4 X 6.0	49
	-	1	1803602-1	SCR, BHSC, RoHS (M8 X 25)	41
	-	8	1-18028-2	WASHER, FLAT, REG M4	33
	-	2	1-2168083-2	SCR, SKT HD CAP, RoHS, M4 X 25	31
	-	2	2168083-2	SCR, SKT HD CAP, RoHS, M4 X 8.0	29
	-	1	468281-1	STRIPPER	27
	-	2	1-2168083-6	SCR, SKT HD CAP, RoHS, M4 X 35	25
	-	1	2161922-4	PLATE, STRIP GUIDE	24
	-	2	22281-6	SPRING, COMPRESSION	22
	-	1	1633168-2	ARM, STOCK DRAG	21
	-	1	464452-4	DRAG, STOCK	20
	-	1	3-1901696-2	STRIP GUIDE, REAR	19
	-	1	1-1901259-1	GUIDE, LOWER STRIP	18
	-	1	469633-1	BLOCK, SUPPORT	14
	-	1	461160-1	PLATE, REAR SHEAR	11
	-	2	5-240645-2	SPACER, SHEAR PLATE	10
	-	1	455961-3	PLATE, FRONT SHEAR	9
	1	1	7-1803000-0	ANVIL, COMBINATION, END FEED	8
	-	1	1-469634-9	BLADE, SLUG	7
	-	-	-	-	6
	-	1	238011-2	BLOCK, CRIMPER SPACER	4
	1	1	1803229-1	CRIMPER, INSULATION O PREMIUM	3
	-	1	1-455888-8	SPACER, CRIMPER	2
	1	1	2-464112-4	CRIMPER, WIRE	1

DIMENSIONS:		TOLERANCES UNLESS OTHERWISE SPECIFIED:		DWN B. WEAVER 03MAR2015		TE Connectivity Harrisburg, PA 17105-3608	
mm	0 PLC ±	1 PLC ±	2 PLC ±	3 PLC ±	4 PLC ±	NAME Ocean End Feed Applicator	
	ANGLES ±	FINISH ±	APVD T. ELBIN 03MAR2015		SIZE CAGE CODE DRAWING NO RESTRICTED TO		
MATERIAL	WEIGHT		A1 00779 C=2150129		Customer Accessible Production Drawing SCALE 1:1 SHEET 3 OF 4 REV C		

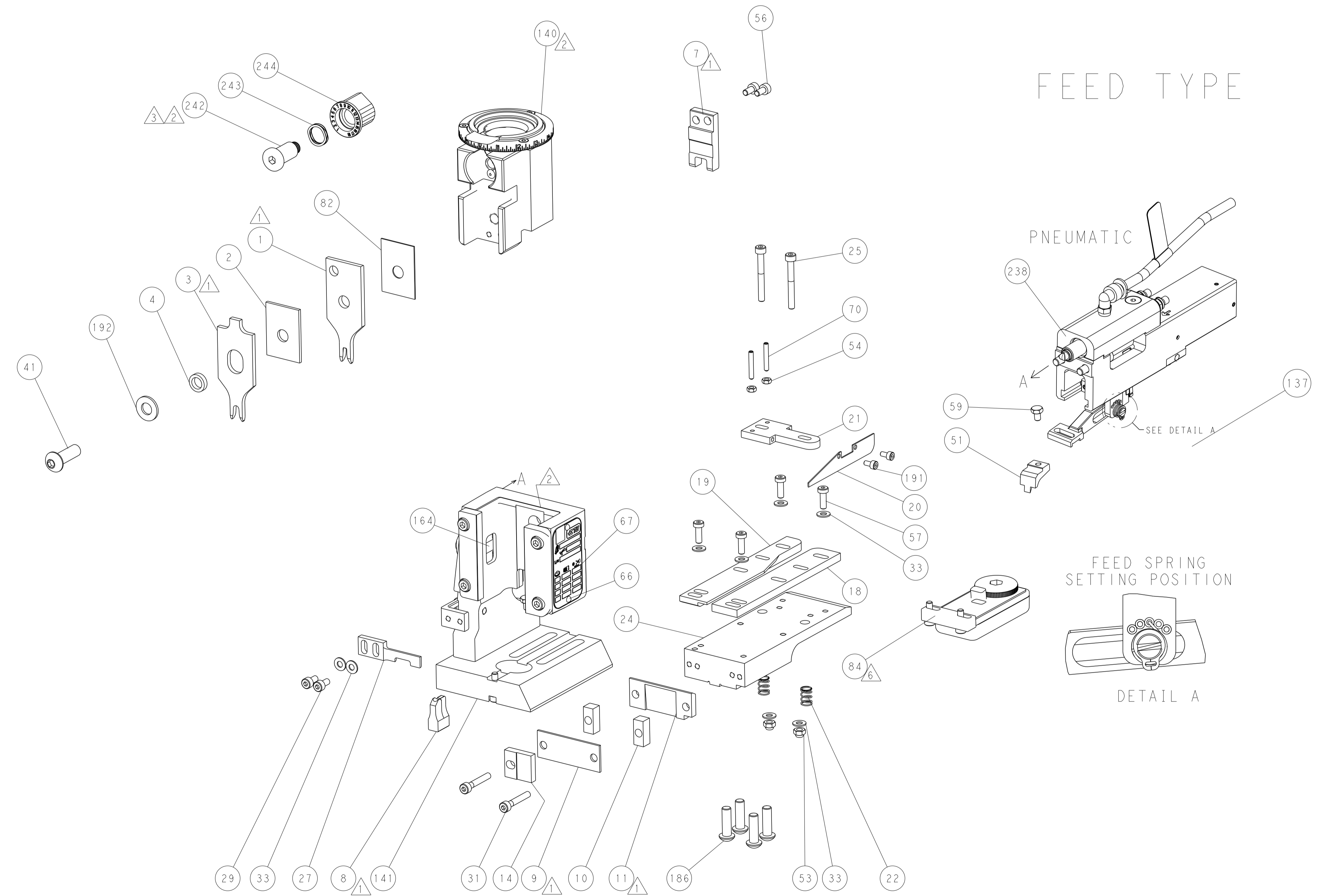
PACIFIC VERSION  
Shown on sheets 3 of 4 & 4 of 4  
(Atlantic version shown on sheets 1 of 4 & 2 of 4)

LOC	DIST	REVISIONS					
A	66	P	LTH	DESCRIPTION	DATE	OWN	APVD
		-	-	SEE SHEET 1	-	-	-

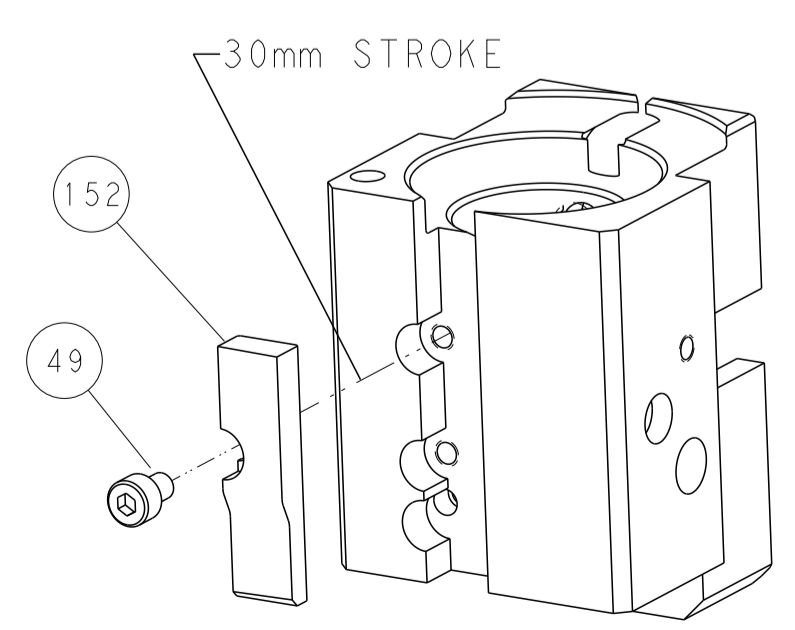


RAM SET-UP

FEED TYPE



CAM POSITIONS



AIR FEED

PACIFIC VERSION  
 Shown on sheets 3 of 4 & 4 of 4  
 (Atlantic version shown on sheets 1 of 4 & 2 of 4)

<small>THIS DRAWING IS UNPUBLISHED. RELEASED FOR PUBLICATION 2015. COPYRIGHT 2015 BY TYCO ELECTRONICS CORPORATION. ALL RIGHTS RESERVED.</small>		DWN B. WEAVER 03MAR2015 CHK T. ELBIN 03MAR2015 APVD T. ELBIN 03MAR2015	TE Connectivity Harrisburg, PA 17105-3608
DIMENSIONS: mm 		TOLERANCES UNLESS OTHERWISE SPECIFIED: 0 PLC ± 1 PLC ± 2 PLC ± 3 PLC ± 4 PLC ± ANGLES ± FINISH ±	NAME Ocean End Feed Applicator PRODUCT SPEC APPLICATION SPEC SIZE CAGE CODE DRAWING NO A1 00779 C=2150129 RESTRICTED TO
MATERIAL:		WEIGHT:	SCALE 1:1 SHEET 4 OF 4 REV C Customer Accessible Production Drawing