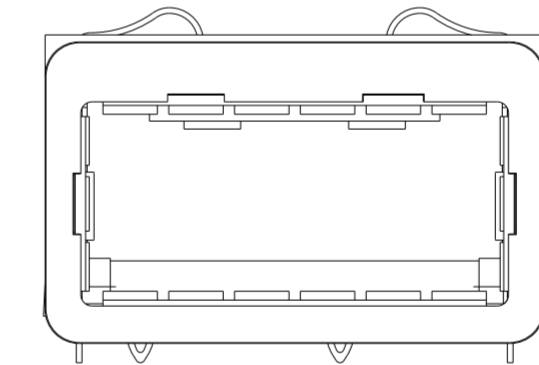
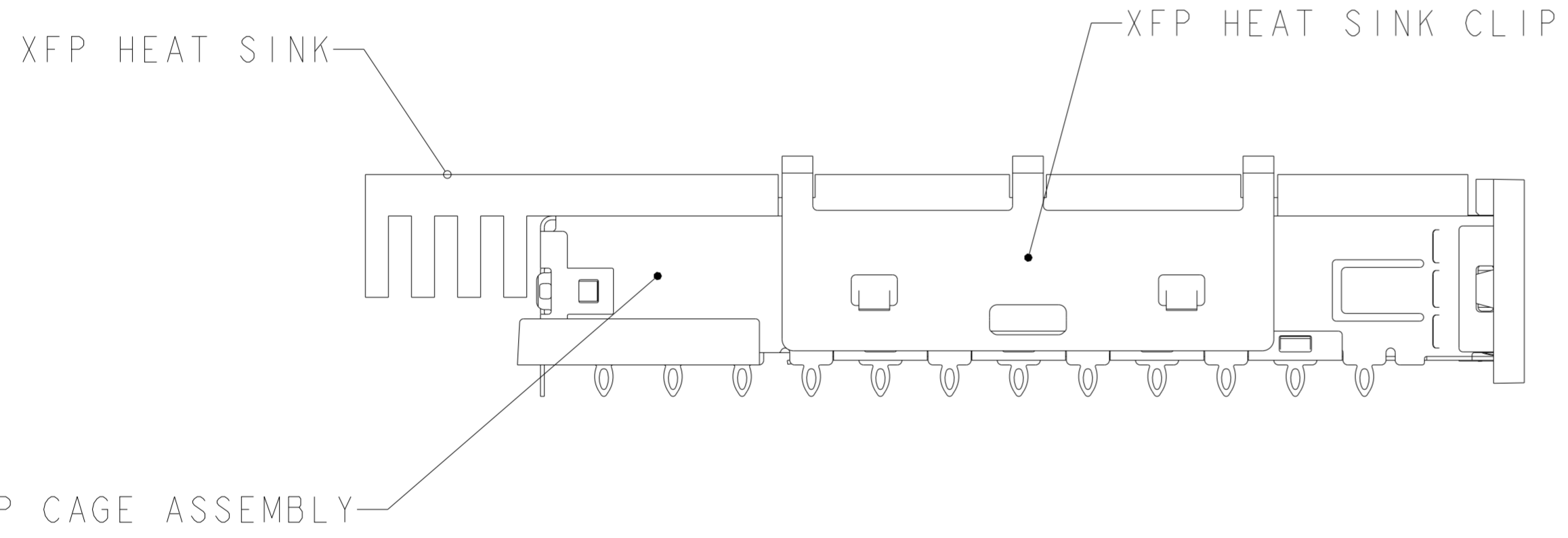
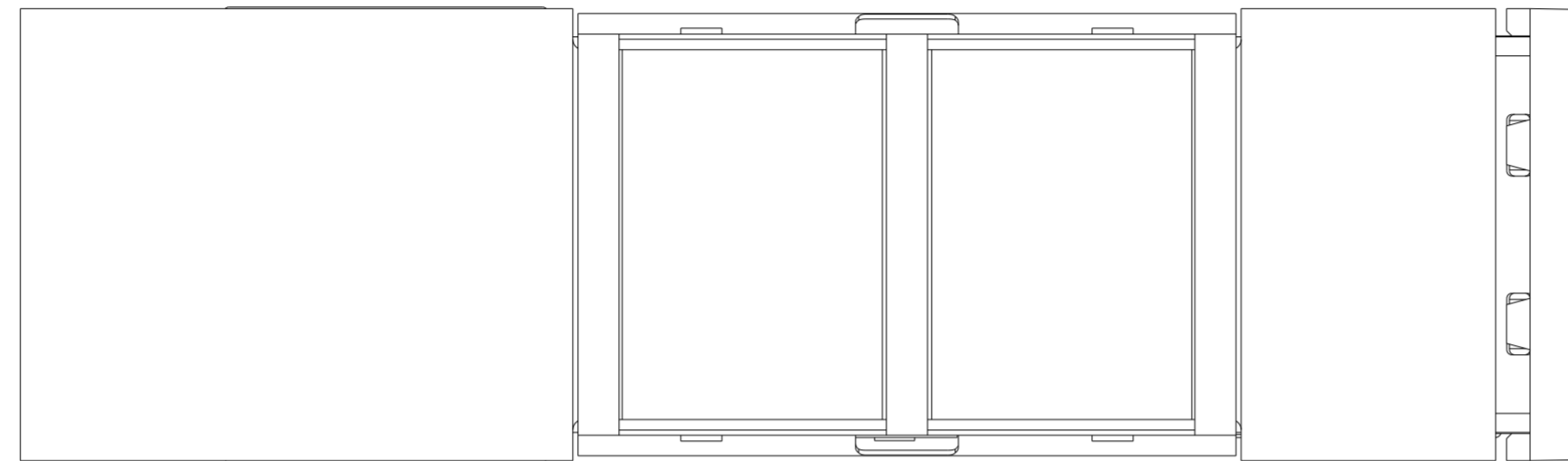



THIS DRAWING IS UNPUBLISHED. RELEASED FOR PUBLICATION 20
 © COPYRIGHT 20 BY - ALL RIGHTS RESERVED.

LOC	DIST	REVISIONS					
GP	00	P	LTR	DESCRIPTION	DATE	DWN	APVD
		A		MASS PRODUCTION	04NOV2016	PP	SH
		B		REVISED PER ECN-23-243336	15DEC2023	-	-

1. MATES WITH XFP MSA COMPLIANT TRANSCEIVERS.
2. SEE COMPONENT DRAWINGS FOR COMPONENT DIMENSIONS AND INFORMATION.



2170043-1	1489948-2	1489951-3	2170044-1
HEATSINK PART NUMBER	HEATSINK CLIP PART NUMBER	CAGE PART NUMBER	PART NUMBER

THIS DRAWING IS A CONTROLLED DOCUMENT.		DWN KINSEN SUN 17 JAN 2011	 TE Connectivity		
DIMENSIONS: mm		CHK MANQIAN WANG 17 JAN 2011			NAME XFP KIT ASSEMBLY
TOLERANCES UNLESS OTHERWISE SPECIFIED: 0 PLC ± 1 PLC ± 2 PLC ± 3 PLC ± 4 PLC ± ANGLES ± FINISH		APVD JINHUA CHEN 17 JAN 2011			
MATERIAL		PRODUCT SPEC 108-2127	SIZE 114-13096	RESTRICTED TO	
		APPLICATION SPEC 114-13096	WEIGHT	SCALE	
		CUSTOMER DRAWING	SIZE A2	CAGE CODE 00779	
			DRAWING NO C-2170044	SHEET 1 OF 1	
				REV B	