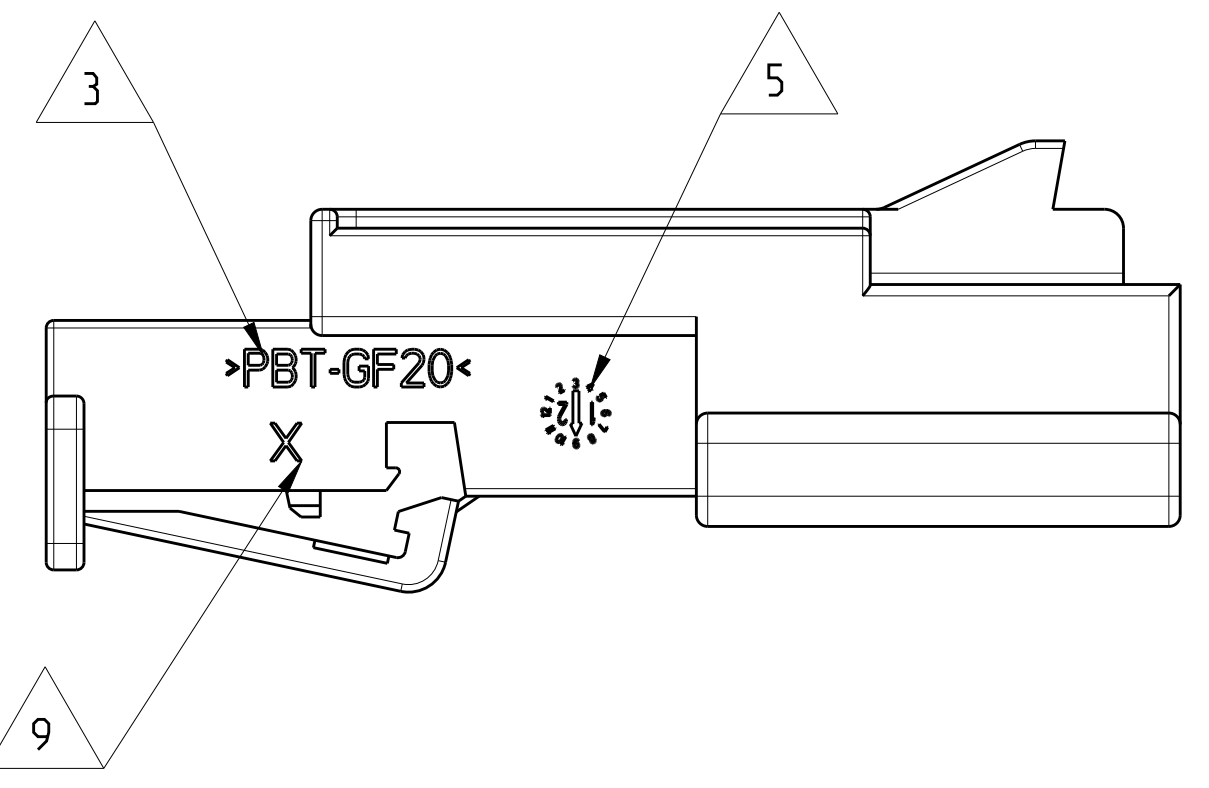
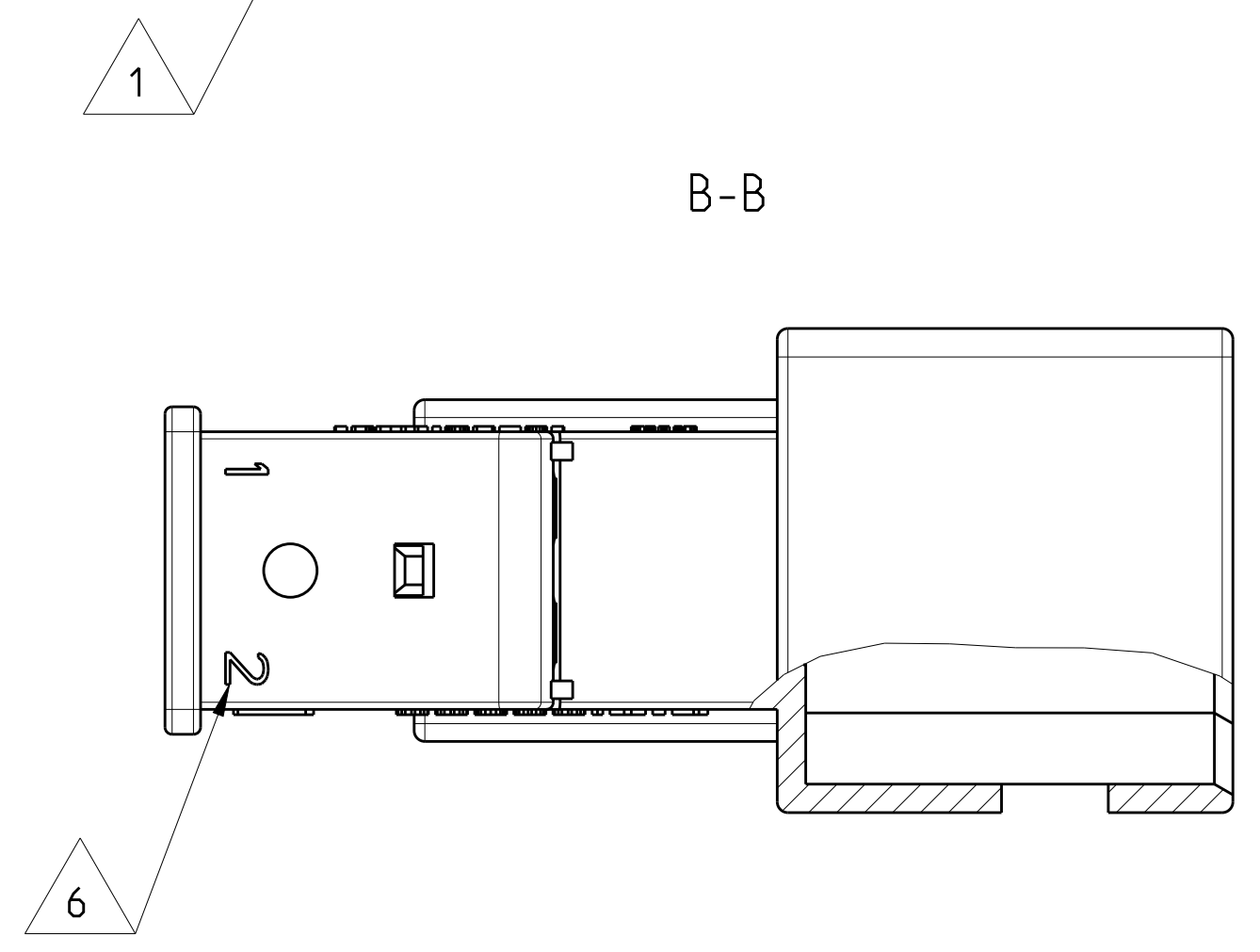
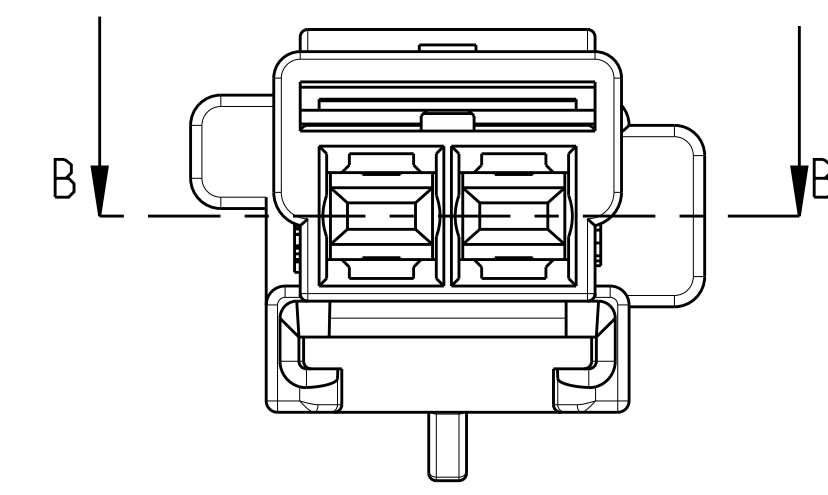
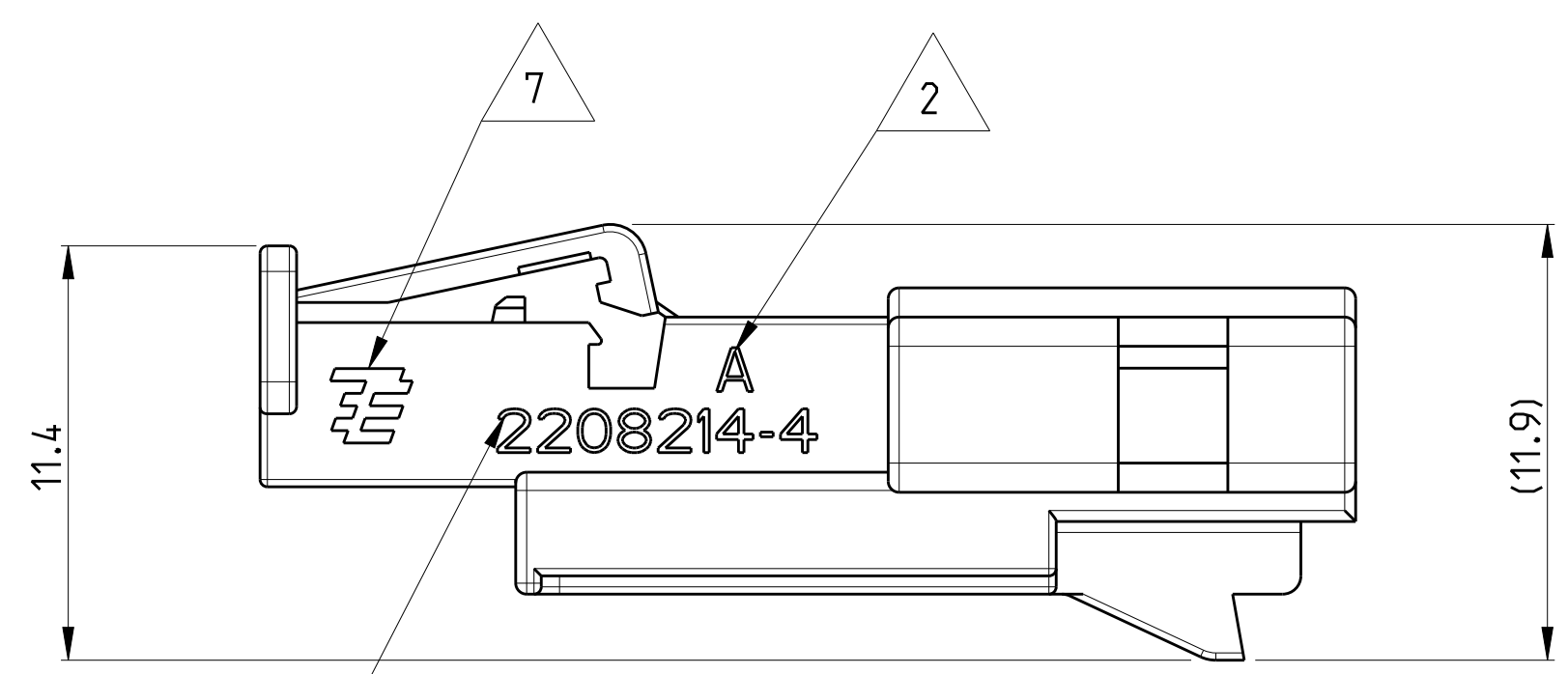
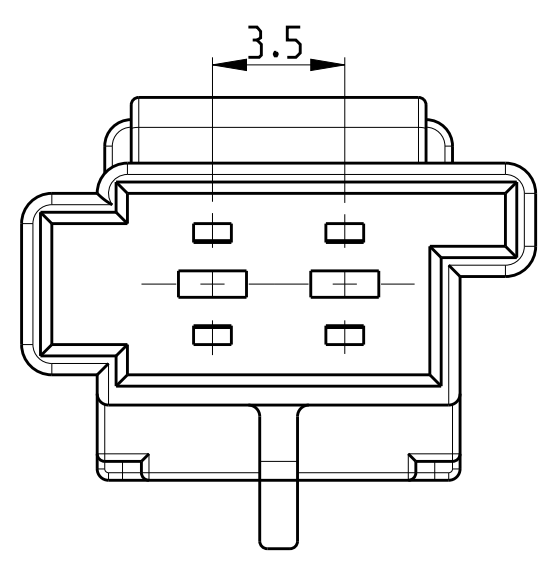
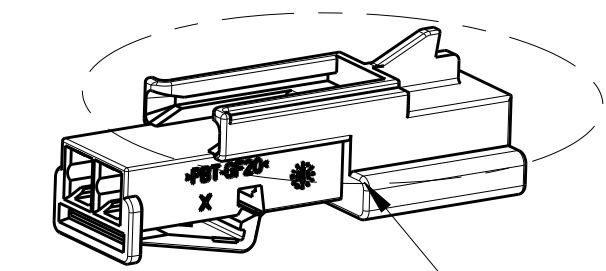
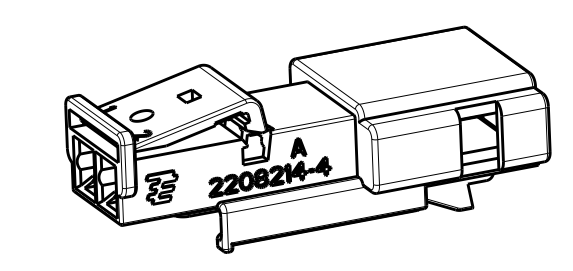
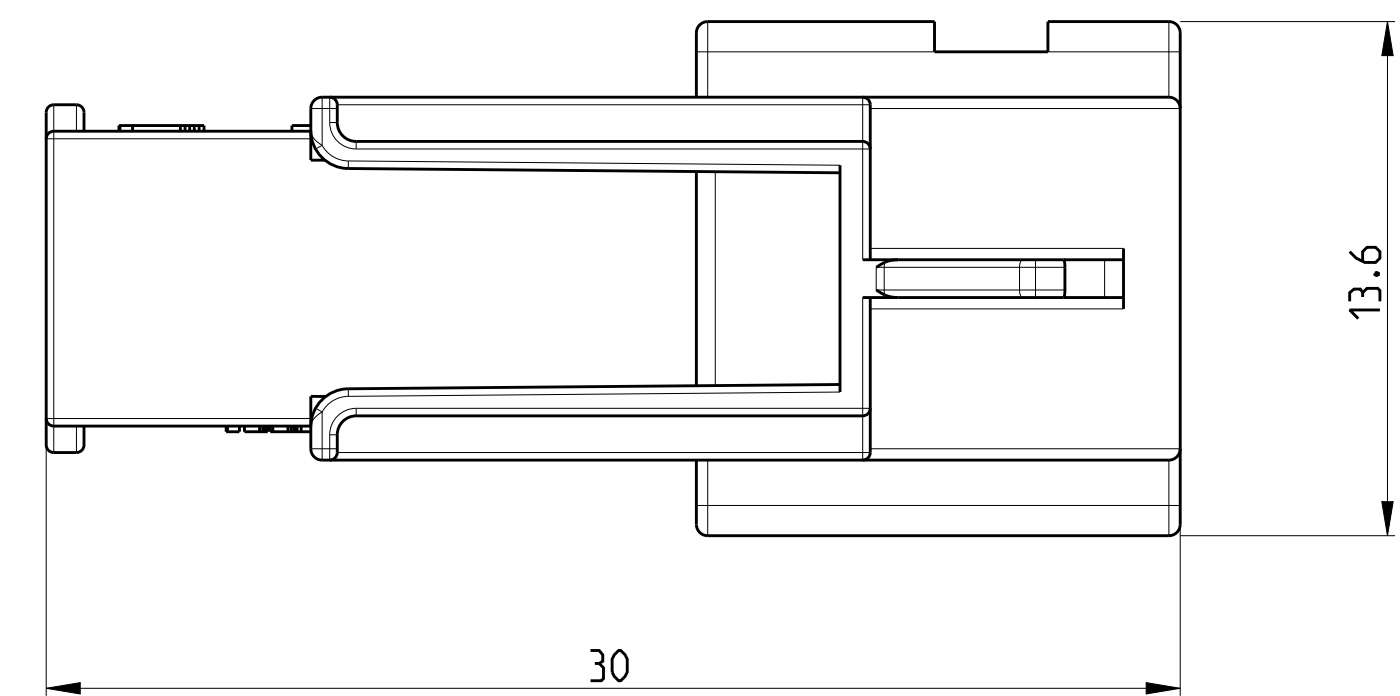


LOC	DIST	REVISIONS					
		P	LTR	DESCRIPTION	DATE	DWN	APVD
A1	-	A		NEW DRAWING	08MAY2012	SK	AK
		A1		see E-12-013862	02AUG2012	SK	AK



- NOTES  
 BEMERKUNGEN
- NV NOTE NOT VALID  
 Bemerkung nicht verwendet
  - 1 ORDER NUMBER  
 BESTELL-NUMMER
  - 2 REVISION NUMBER  
 WERKZEUGÄNDERUNGSINDEX
  - 3 MATERIAL MARKING  
 WERKSTOFFKENNZEICHNUNG
  - NV GM LOGO  
 GM Logo
  - 5 PRODUCTION DATE  
 PRODUKTIONSdatum
  - 6 CONTACT CAVITY NUMBER  
 KONTAKTKAMMERNUMMER
  - 7 TE LOGO  
 TE Logo
  - 8 PACKAGING: BULK MATERIAL IN CARDBOARD BOX  
 VERPACKUNG: SCHÜTTGUT IN KARTON
  - 9 TOOL CAVITY MARKING  
 WERKZEUGMARKIERUNG
  - 10 SLOT FOR GM 13257300 (ZUH 360)  
 Aufnahme fuer GM 13257300 (ZUH 360)

1452140-4	2 Pos. MT2, Rec-Hsg. Code C
TE BESTELL-NR. TE ORDER NO.	BENENNUNG DESCRIPTION
COUNTERPARTS GEGENSTECKER	

A1	TE ORDER NO.	WIRE RANGE	MATERIAL	FINISH
0-1241846-2	1.5	CuFe 2	PRETINNED	
0-0964267-2	0.5-1.0	CuFe 2	PRETINNED	
0-0964265-2	0.35-0.5	CuFe 2	PRETINNED	

RECOMMENDED CONTACT SYSTEM: MICRO TIMER 2 TYPE A; UNSEALED  
 FOR CABLE INSULATION TYPE FLR ACC. DIN 72551 / ISO 6722 MAX. WIRE SIZE 1.5mm<sup>2</sup>  
 MAX. CABLE INSULATION CRIMP DIAMETER 2.9mm  
 FOR CABLE INSULATION TYPE TXL ACC. SAE J1128 MAX. WIRE SIZE 1.0mm<sup>2</sup> OR MAX AWG 18  
 THE USE OF OTHER CABLE TYPES MUST BE CHECKED IN ANY INDIVIDUAL CASE!

A1	13423775	2208214-4	A	2 Pos. TAB 1.6x0.6. TAB-Hsg. COD C / Interface 114-18442	GREY	PBT-GF20	1.4	1
	CUSTOMER PART NO	TE ORDER NUMBER	REV	DESCRIPTION	COLOR	MATERIAL	WEIGHT [g]	ITEM NO

THIS DRAWING IS A CONTROLLED DOCUMENT. DIMENSIONING AND TOLERANCING PER GPS (ISO STANDARDS). TOLERANCES UNLESS OTHERWISE SPECIFIED:

DIMENSIONS: mm	0 PLC ±0.3	1 PLC ±0.3	2 PLC ±0.3	3 PLC ±0.3	4 PLC ±0.3	ANGLES ±0.1°	FINISH -
----------------	------------	------------	------------	------------	------------	--------------	----------

MATERIAL: -

DWN: S. Köhny	08MAY2012	NAME: -
CHK: A. Ketteler	09MAY2012	PRODUCT SPEC: 108-94.118
APVD: -		APPLICATION SPEC: 114-18901
		WEIGHT: -
		CUSTOMER DRAWING

SCALE: 5:1 SHEET 1 OF 1 REV: A1