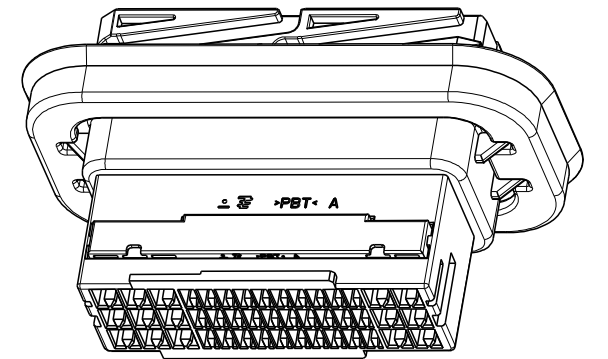
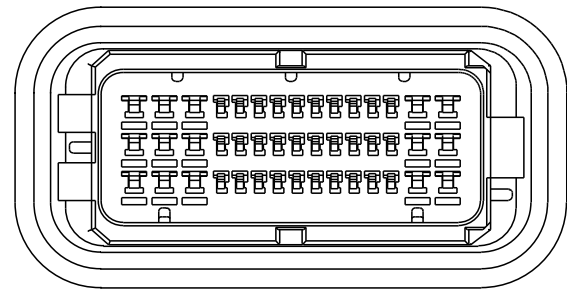


REVISIONS

P	LTR	DESCRIPTION	DATE	DWN	APVD
	A	RELEASE	06. JAN '15	SM	HG



ISO VIEW

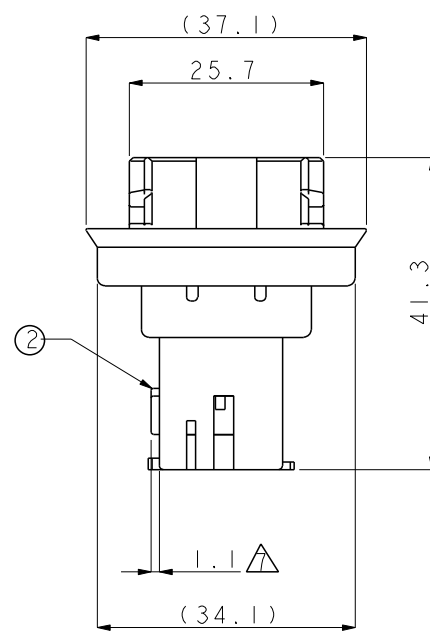
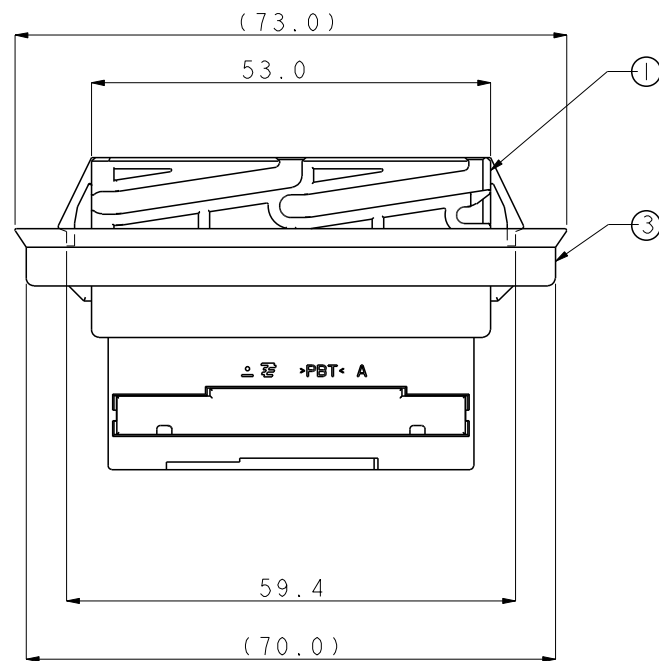


TABLE 1. APPLICABLE TAB CONTACT.

TAB	PART NO.	WIRE RANGE		WIRE TYPE
		AWG	mm ²	
040	353537-1	22-20	0.3-0.5	AVSS
090	368088-1	22-20	0.3-0.5	
	368087-1	18-16	0.85-1.25	
	368086-1	14	2.0	

NOTE ;

1. GENERAL TOLERANCE : ± 0.3 , $\pm 3.0^\circ$
 2. APPLICABLE PANEL SIZE : SEE FIG. 1
 3. APPLICABLE PANEL THICKNESS : 0.7 mm
 4. APPLICABLE TAB CONTACT : SEE TABLE 1.
 5. THE MATING PLUG ASS'Y P/N : 2219229
 6. THE MATING COVER P/N : 2219230
- \triangle DBL SUPPLY CONDITION : 1ST LOCKING.

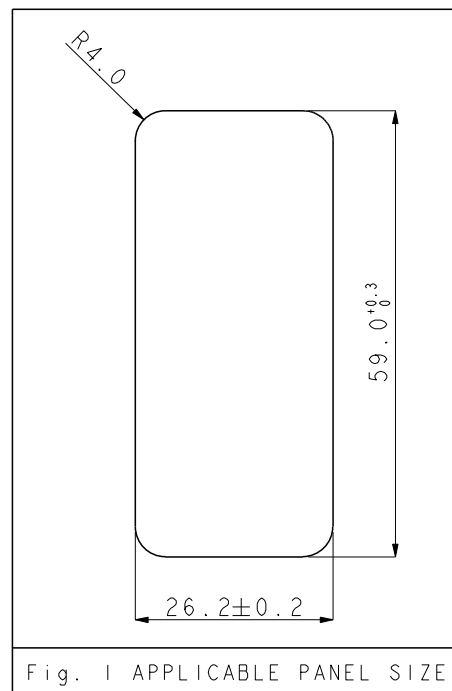


Fig. 1 APPLICABLE PANEL SIZE

NO.	PART NO.	DESCRIPTION	MATERIAL	COLOR	Q'TY
3	1897484-2	PANEL SEAL	EPDM	BLACK	1
2	1897483-4	CAP DBL	PBT	BROWN	1
1	1897482-2	CAP HSG	PBT	BLACK	1

THIS DRAWING IS A CONTROLLED DOCUMENT.		DWN SM LEE	TE Connectivity		
DIMENSIONS: mm		CHK KT LIM			
TOLERANCES UNLESS OTHERWISE SPECIFIED:		APVD HG CHO	NAME CAP HSG ASS'Y FOR HYB(040/090) DOOR 45P		
0 PLC ± 0.5 1 PLC ± 0.5 2 PLC ± 0.13 3 PLC ± 0.013 4 PLC ± 0.0001 ANGLES \pm		PRODUCT SPEC	SIZE	CAGE CODE	DRAWING NO
MATERIAL		APPLICATION SPEC	A300779		C=2219228
FINISH		WEIGHT	RESTRICTED TO		
		CUSTOMER DRAWING	SCALE	SHEET	OF
			1:1	1	1
					REV A

CAP HSG ASS'Y
DESCRIPTION
2219228-4
ASS'Y P/N

D
C
B
A