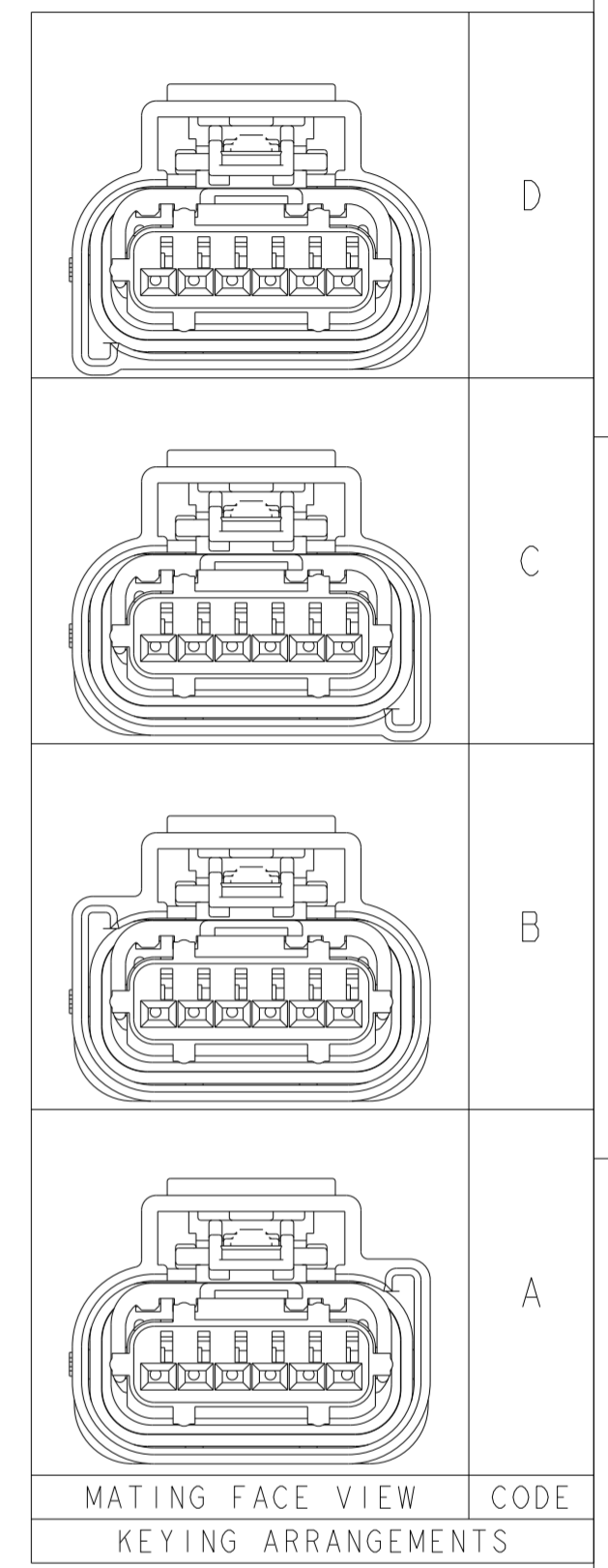
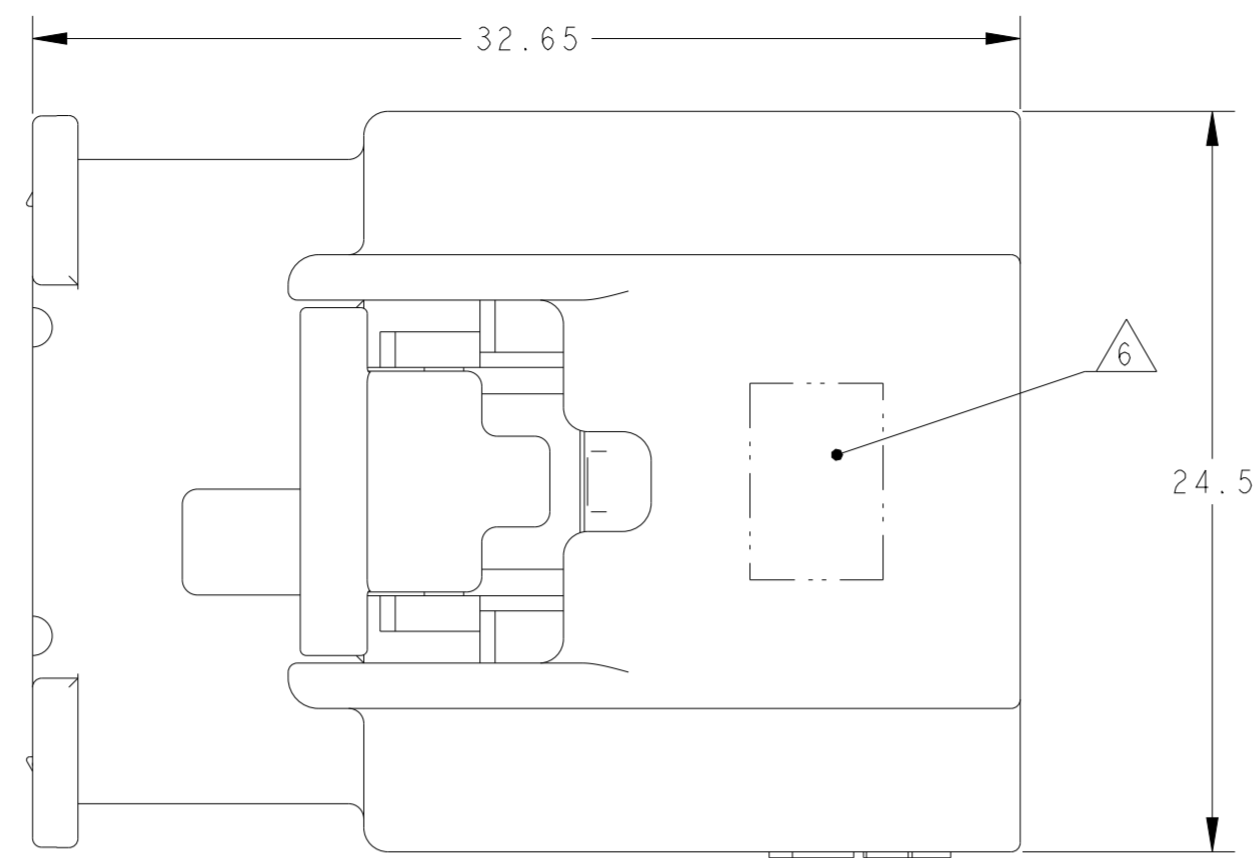
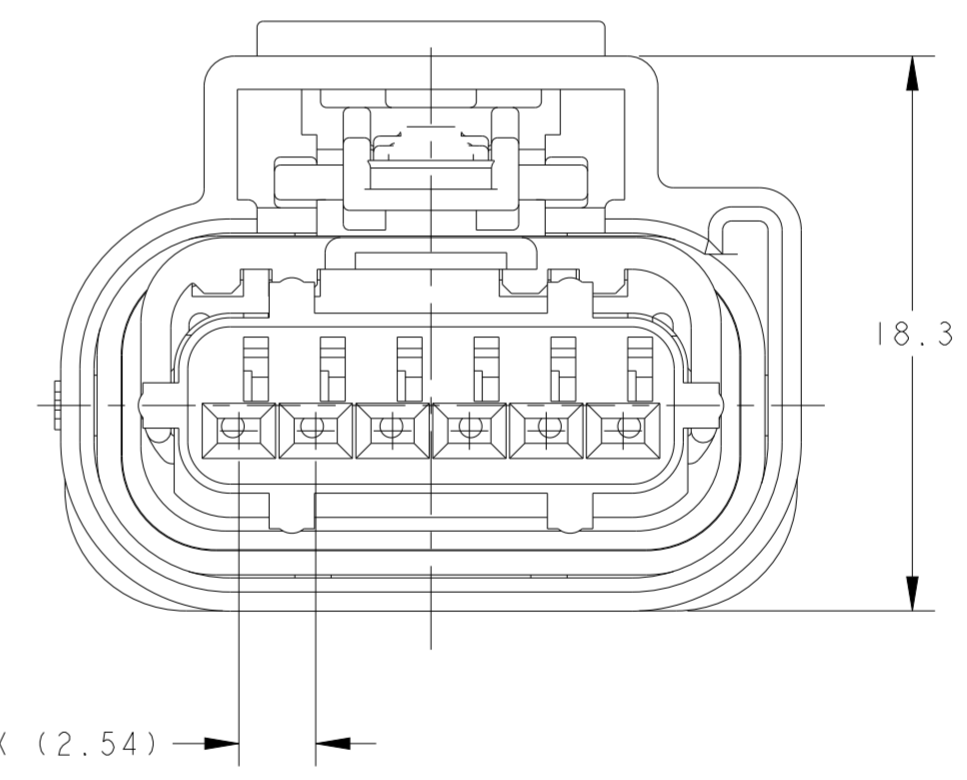
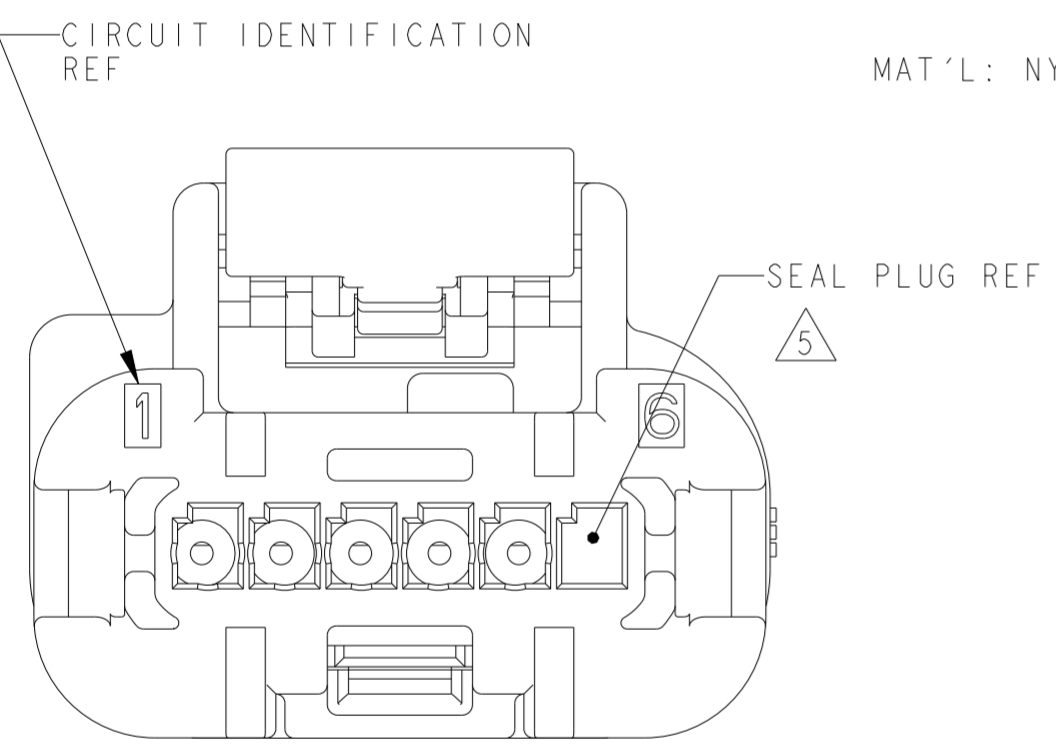
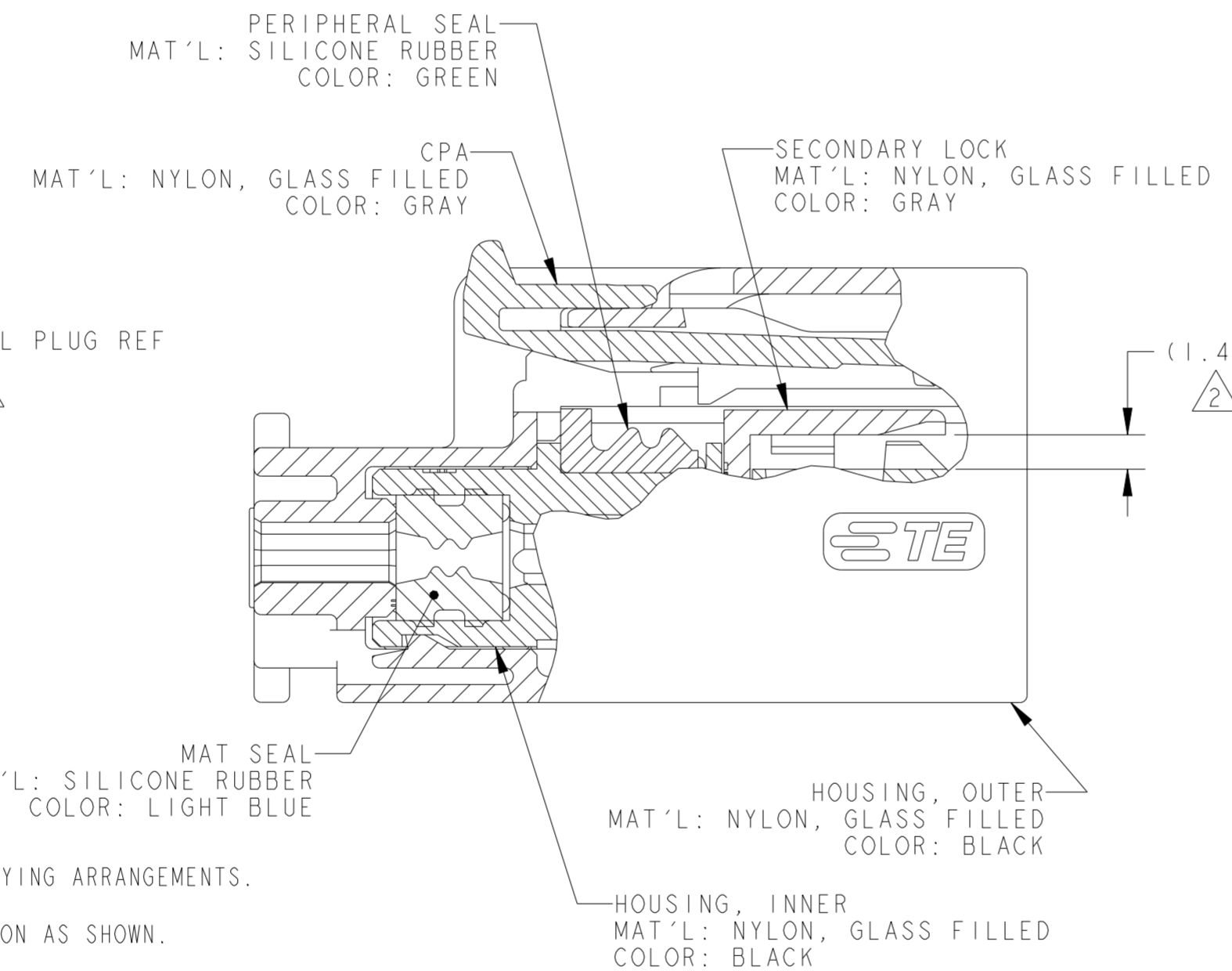


REVISIONS				
P	LTR	DESCRIPTION	DATE	APVD
A3		REVISED PER ECO-17-015604	01NOV2017	JMS CM
A4		REVISED PER ECO-18-005591	12APR2018	JMS SI
A5		REVISED PER ECO-20-004646	14APR2020	JMS SI
A6		REVISED PER ECN-21-128681	07DEC2021	JMS SI

KEY CODE	CIRCUIT NUMBER						PART NUMBER
	1	2	3	4	5	6	
A	●	●	●	○	○	○	1-2272975-4/10
A	●	●	●	○	○	○	1-2272975-3
A	●	●	●	●	●	●	1-2272975-2/9
A	○	○	○	○	○	○	1-2272975-1
A	●	○	○	○	○	○	1-2272975-0
A	●	●	●	○	○	○	2272975-9
A	○	○	○	○	●	●	2272975-8
A	●	○	○	○	○	●	2272975-7
A	○	○	○	○	○	●	2272975-6
A	○	○	○	○	○	●	2272975-5
D	○	○	○	○	○	○	2272975-4 NOT TOOLED
C	○	○	○	○	○	○	2272975-3 NOT TOOLED
B	○	○	○	○	○	○	2272975-2
A	○	○	○	○	○	○	2272975-1



KEYING CODE	PART NUMBER
A	1-2272975-3
A	1-2272975-2/9
A	1-2272975-1
A	1-2272975-0
A	2272975-9
A	2272975-8
A	2272975-7
A	2272975-6
A	2272975-5
D	2272975-4
C	2272975-3
B	2272975-2
A	2272975-1



- 2272975-1 SHOWN. SEE TABLE FOR ADDITIONAL KEYING ARRANGEMENTS.
- SECONDARY LOCK SHIPPED IN PRE-LATCHED POSITION AS SHOWN.
- PLUG ACCEPTS MCON 1.2mm CLEAN BODY FEMALE CONTACTS FOR WIRE RANGE WITH ϕ 1.2 - 1.9 INSULATION.
- FOR OPTIONAL WIRE DRESS SEE DRAWING 2272976.
- CLOSED CIRCUIT SHOWN FOR REFERENCE. SEE CIRCUIT PIN-OUT TABLE FOR CIRCUIT AVAILABILITY.
- PART NUMBER AND DATE CODE MARKED IN APPROXIMATE AREA SHOWN.
- MATING INTERFACE SHOWN ON USCAR DRAWING, 120-S-006-1-Z03.
- REFERENCE TE INSTRUCTION SHEET 408-32106.
- SHIPPING CAP. ALL CIRCUITS CLOSED ON OUTER HOUSING. ASSEMBLY DOES NOT INCLUDE SECONDARY LOCK OR CPA.
- ASSEMBLY DOES NOT INCLUDE CPA. RESTRICTED SALES.

THIS DRAWING IS A CONTROLLED DOCUMENT.

DIMENSIONS:	TOLERANCES UNLESS OTHERWISE SPECIFIED:	DWN	22SEP2014
mm	0 PLC ±	CHK	D. DRUMMOND
	1 PLC ±0.2	CHK	22SEP2014
	2 PLC ±0.20	CHK	S. MANKARYOS
	3 PLC ±	APVD	22SEP2014
	4 PLC ±	APVD	S. MANKARYOS
	ANGLES ±	PRODUCT SPEC	
	FINISH ±	APPLICATION SPEC	
MATERIAL		WEIGHT	
SEE CALLOUT			

NAME: PLUG ASSEMBLY, 6 POSITION, 1.2mm MCON

SIZE: A2 CAGE CODE: 00779 DRAWING NO: C-2272975 RESTRICTED TO: A6

SCALE: 4:1 SHEET: 1 OF 1