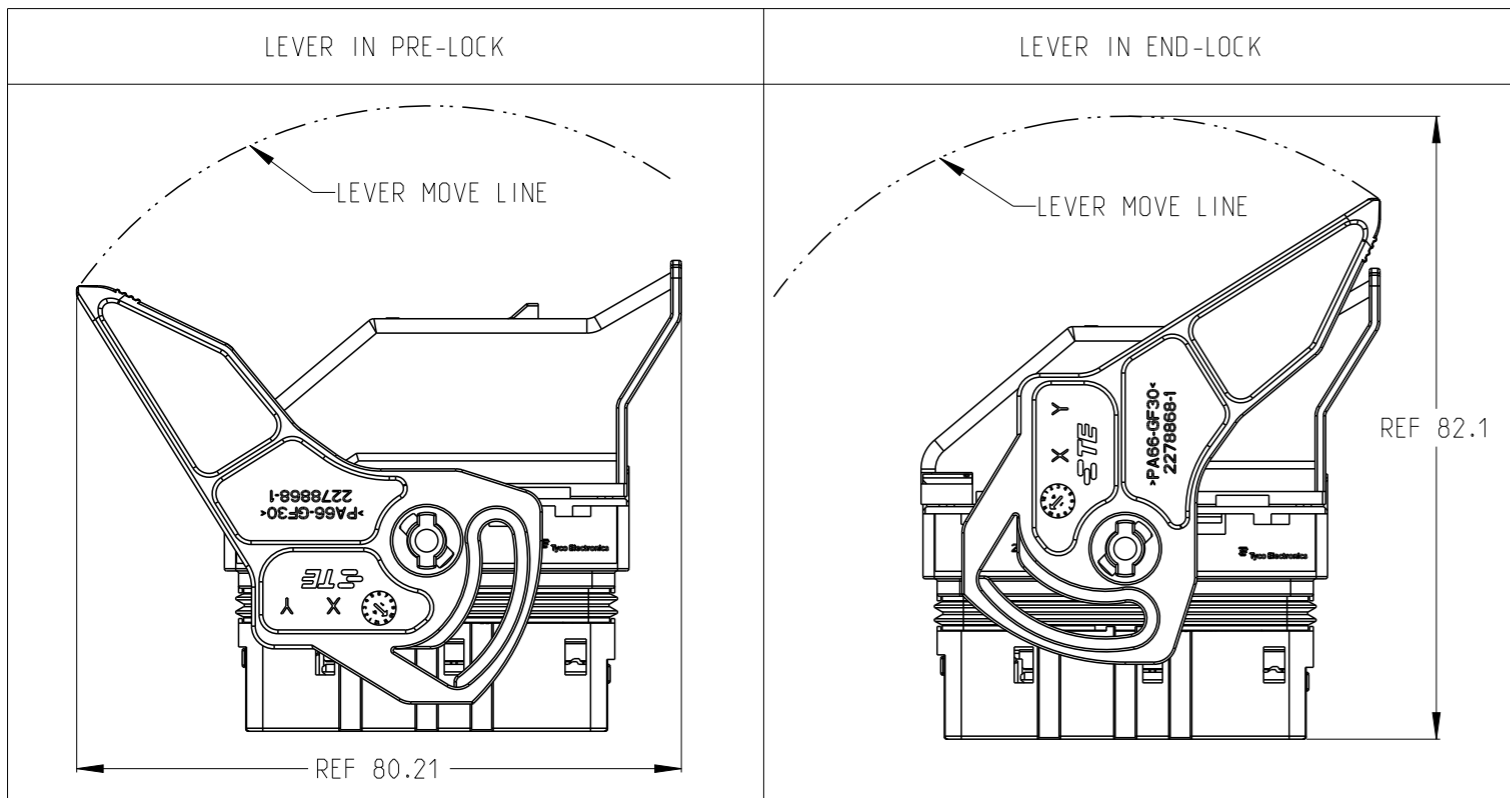


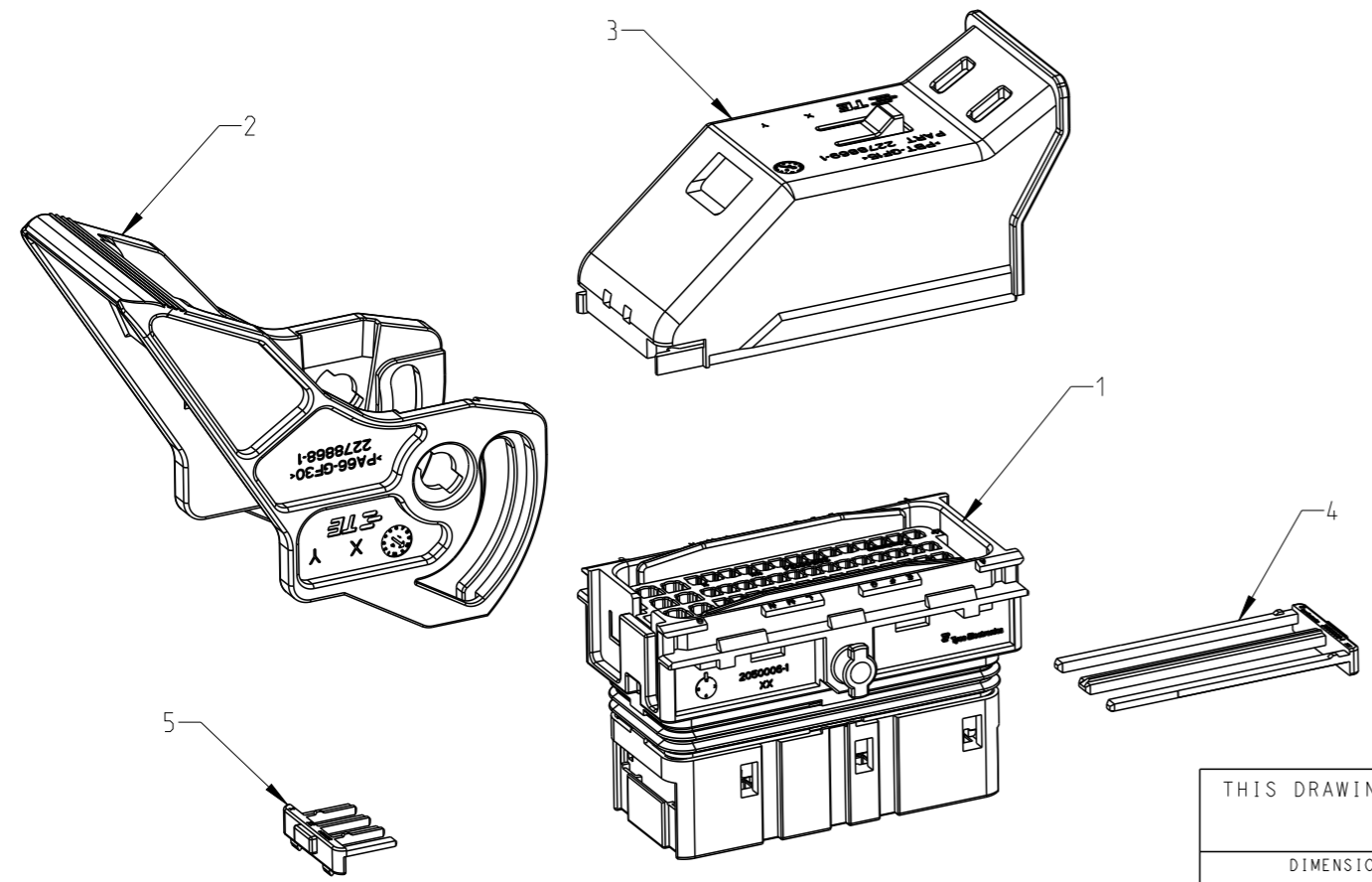
REVISIONS

P	LTR	DESCRIPTION	DATE	DWN	APVD
A		FIRST RELEASE	29DEC2014	DD	SY.W
B		ECR-16-009119	23JUN2016	R.T	SY.W



1. EQUAL QUANTITY OF 2278870-X COMPONENTS TO BE PACKAGED TOGETHER IN SAME SHIPPING BOX;
2. COVER MUST BE ASSEMBLED WITH THE PLUG BEFORE THE LEVER;
3. APPLICABLE TEST NO. 108-101130
4. APPLICABLE TERMINALS SEE TERMINALS INFORMATION TABLE.
5. MATING PARTS PN: 2050898

TERMINALS INFORMATION					
SIZE	TERMINALS PN	FINISH	WIRE SIZE (MM2)	WIRE SIZE DIAMETER (MM)	NOTES
MQS 0.64	968221-1	PRE-TIN	0.5~0.75	Ø1.40~1.90	BLIND PLUG PN 1394871-1
TERM 1.5	638652-2	PRE-TIN	0.75~1.0	Ø1.70~2.10	BLIND PLUG PN 1670108-1
	638652-1	PRE-TIN	1.0~1.5	Ø1.90~2.40	



B		B					
QUANTITY	ITEM NO.	QUANTITY	ITEM NO.	COLOR	MATERIAL	DESCRIPTION	ITEM NO.
1	1	1	1	RED	PA66-GF30	SHORT RETAINER	5
1	1	1	1	RED	PA66-GF30	RETAINER	4
1	1	1	1	BLACK	PBT-GF15	HOUSING COVER	3
1	1	1	1	BLACK	PA66-GF30	LEVER	2
			1	-	-	SUB-ASSY,CODING1	1
			1	-	-	SUB-ASSY,CODING2	1
1				-	-	SUB-ASSY,CODING3	1
2278870-3	2278870-2	2278870-1					
CODING 3	CODING 2	CODING 1					
HOUSING ASSEMBLY PN							

2278871-1 AS SHOWN

THIS DRAWING IS A CONTROLLED DOCUMENT.

DWN: D.DING 29DEC2014
 CHK: G.ZHU 29DEC2014
 APVD: SY.WANG 29DEC2014

PRODUCT SPEC: 108-101130
 APPLICATION SPEC: -

WEIGHT: -

CUSTOMER DRAWING

SCALE: 1:1

SHEET: 1 OF 1

REV: B

STE TE Connectivity

NAME: PACKING COMPONENT LIST
64P ECU PLUG CONNECTOR

SIZE: A3

CAGE CODE: -

DRAWING NO: C-2278870

RESTRICTED TO: -

DIMENSIONS:	TOLERANCES UNLESS OTHERWISE SPECIFIED:
mm	
	0 PLC ±
	1 PLC ±0.5
	2 PLC ±0.13
	3 PLC ±0.013
	4 PLC ±0.0001
	ANGLES ±
MATERIAL	FINISH
-	-
-	-