

NOTES
 Bemerkung

- 1 MOULD BURRS MAX. 0.3 PERMITTED
 Formteilungsgrat max. 0.3 zulaessig
- 2 PACKAGING: LOOSE PIECE
 Verpackung: Schuetztgut
- 3 CONDITION AS DELIVERY: RETAINER IN PRE-LOCKING POSITION
 Anlieferungszustand: 2. Kontaktsicherung in Vorraststellung
- 4 SUITABLE FOR CONTACT SEE DWG.:
 Passend zu Kontakt siehe Zeichnung:

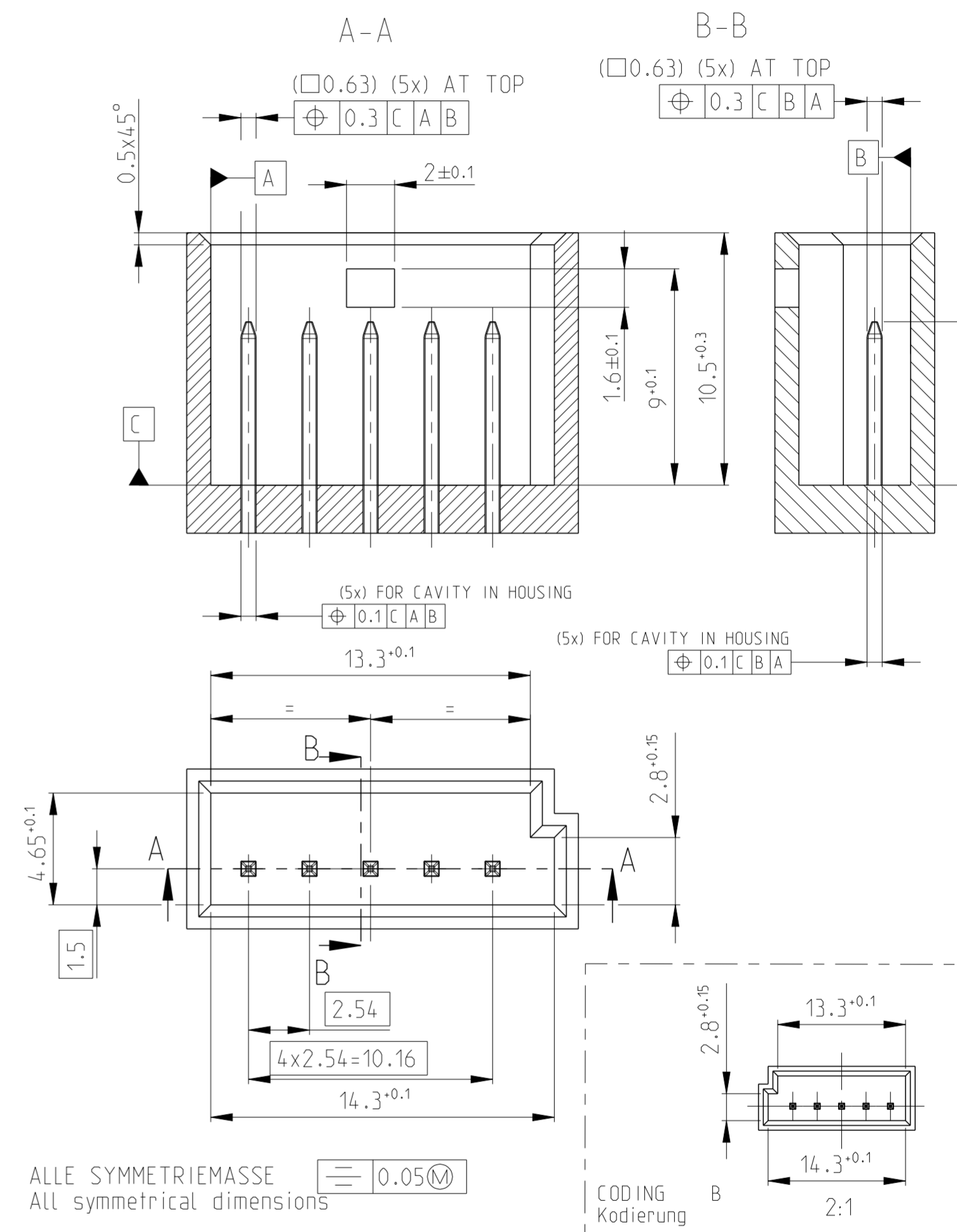
Buchsenkontakt SOCKET CONTACT	Micro Quadlok System
Kammer CAVITIES	1-5
Zeichnung TE DRAWING	929454

- 5 SUITABLE FOR WIRE SIZE RANGE: 0.2-0.75mm²
 Passend fuer Leitungsquerschnitt: 0.2-0.75mm²

2289208-1 AS SHOWN
 2289208-1 wie gezeigt

INTERFACE
 SCHNITTSTELLE

CODING A
 Kodierung



REVISIONS

P	LTR	DESCRIPTION	DATE	DWN	APVD
A		NEW DRAWING	28NOV2014	Ho.	Gilch
A1		APPLICATION SPEC CORRECTED	21APR2015	Ho.	Gilch

A	MQS socket housing 5 pos.	PBT-GF20	BLACK	2289208-1	A
B	MQS socket housing 5 pos.	PBT-GF20	BLACK	2289208-2	A
COD. Kod.	DESCRIPTION Benennung	MATERIAL Werkstoff	COLOR Farbe	PART NO Teile Nr.	REV.

THIS DRAWING IS A CONTROLLED DOCUMENT.

DIMENSIONS: mm

TOLERANCES UNLESS OTHERWISE SPECIFIED: ACC. TO DIN 16742-TG 5

MATERIAL: SEE TABLE

Customer Drawing

DWN: M. Homolka 28NOV2014
 CHK: S. Gilch 01DEC2014
 APVD: S. Krauss 05DEZ2014

NAME: MQS SOCKET HOUSING 5 POS. MQS Buchsengehaeuse 5 pol.

SIZE: A2 CAGE CODE: 00779 DRAWING NO: C-2289208 RESTRICTED TO: -

SCALE: 5:1 SHEET: 1 OF 1 REV: A1

STE TE Connectivity