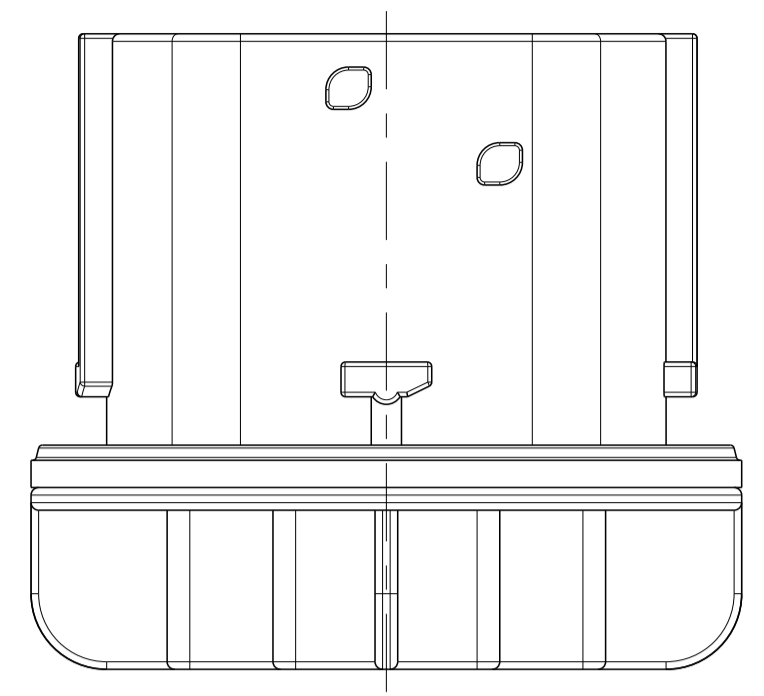
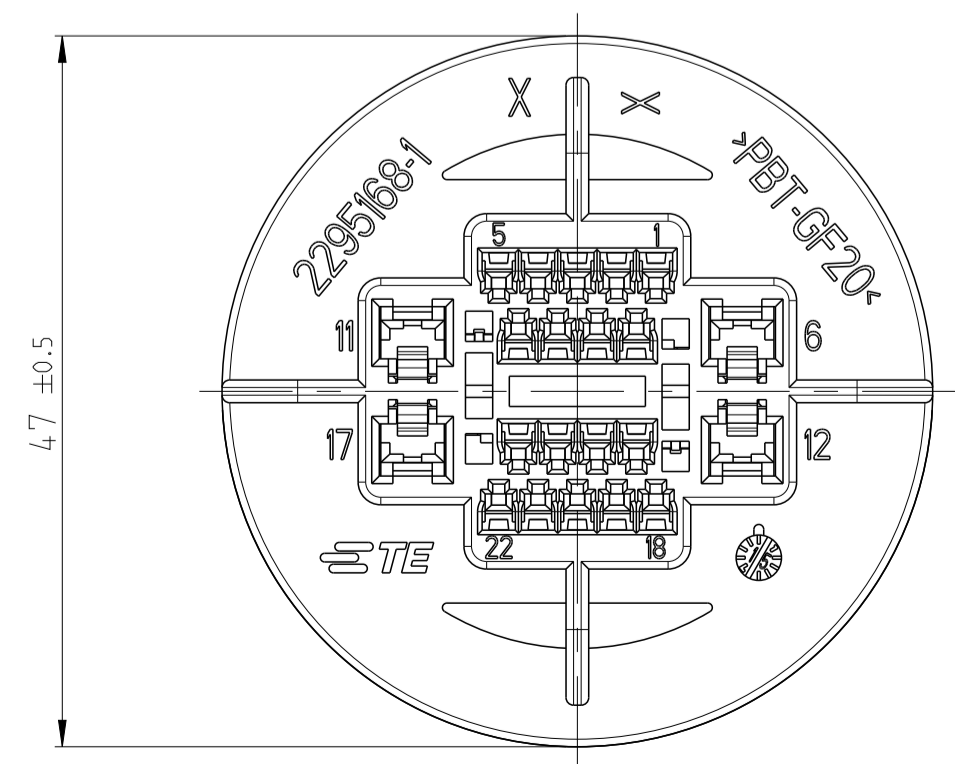
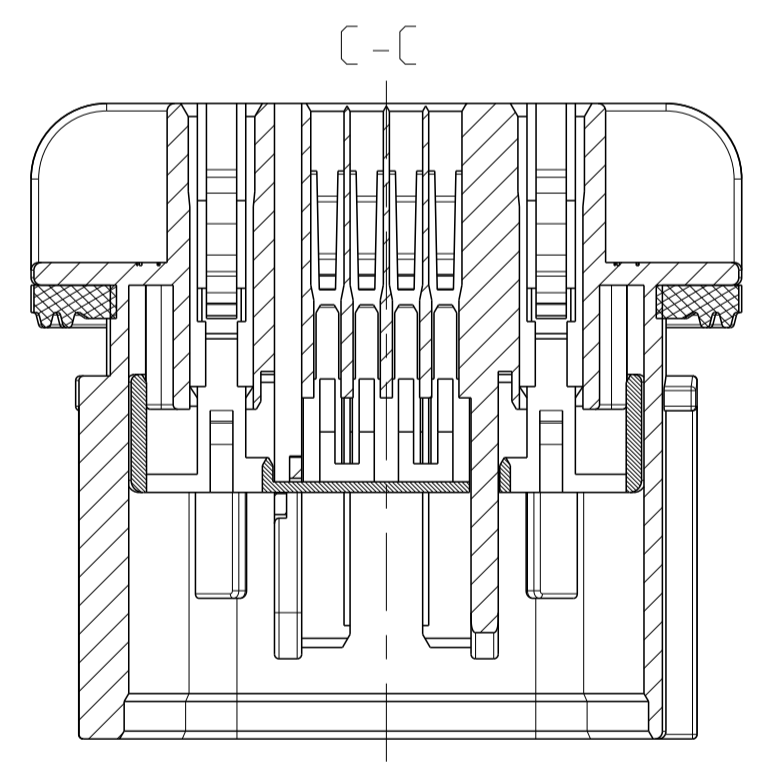
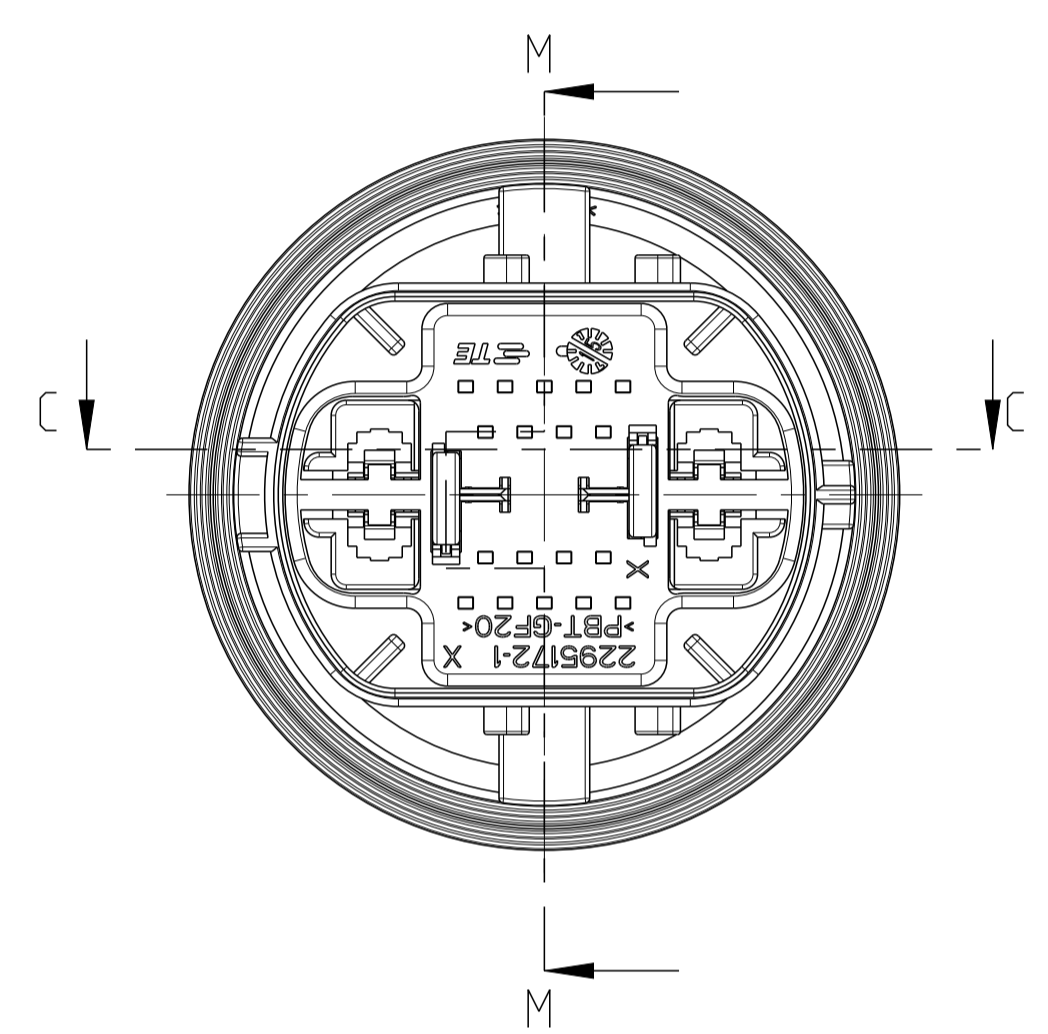
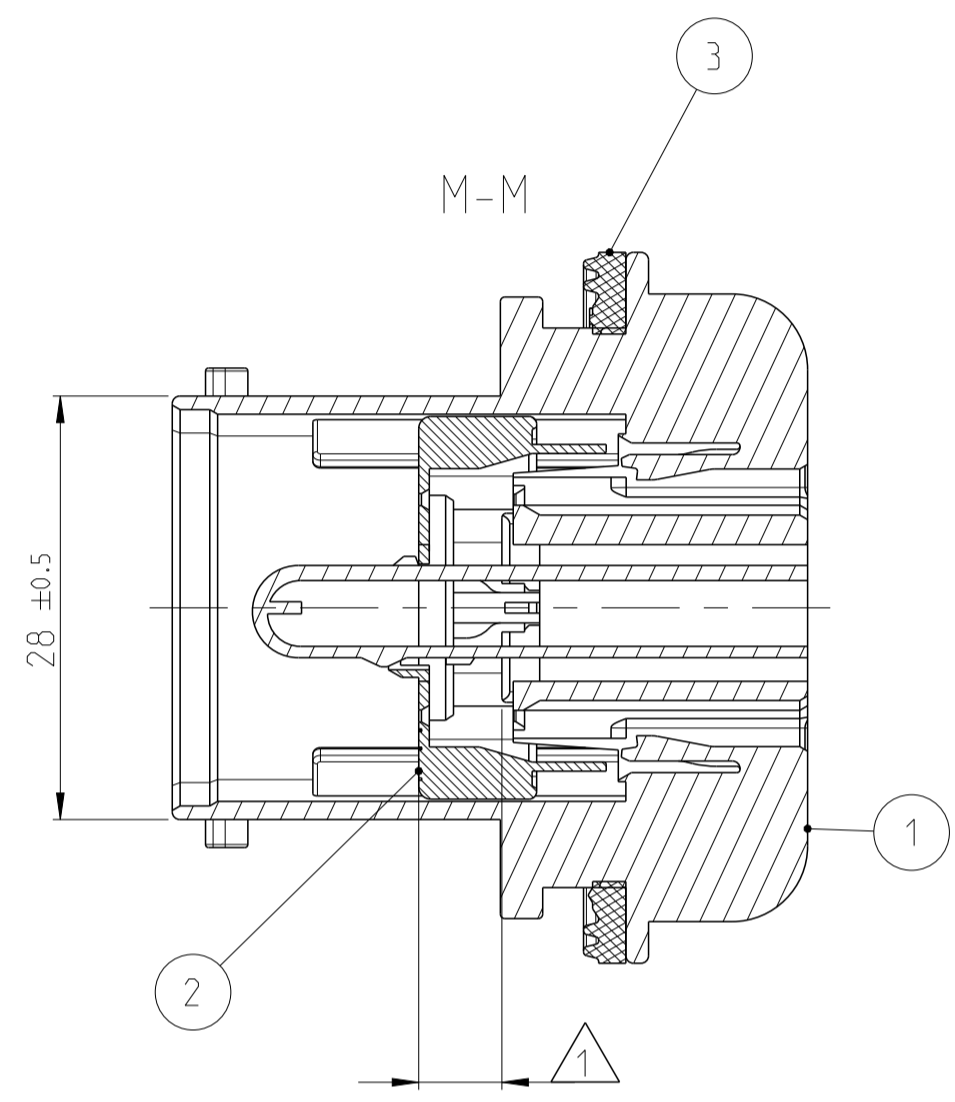
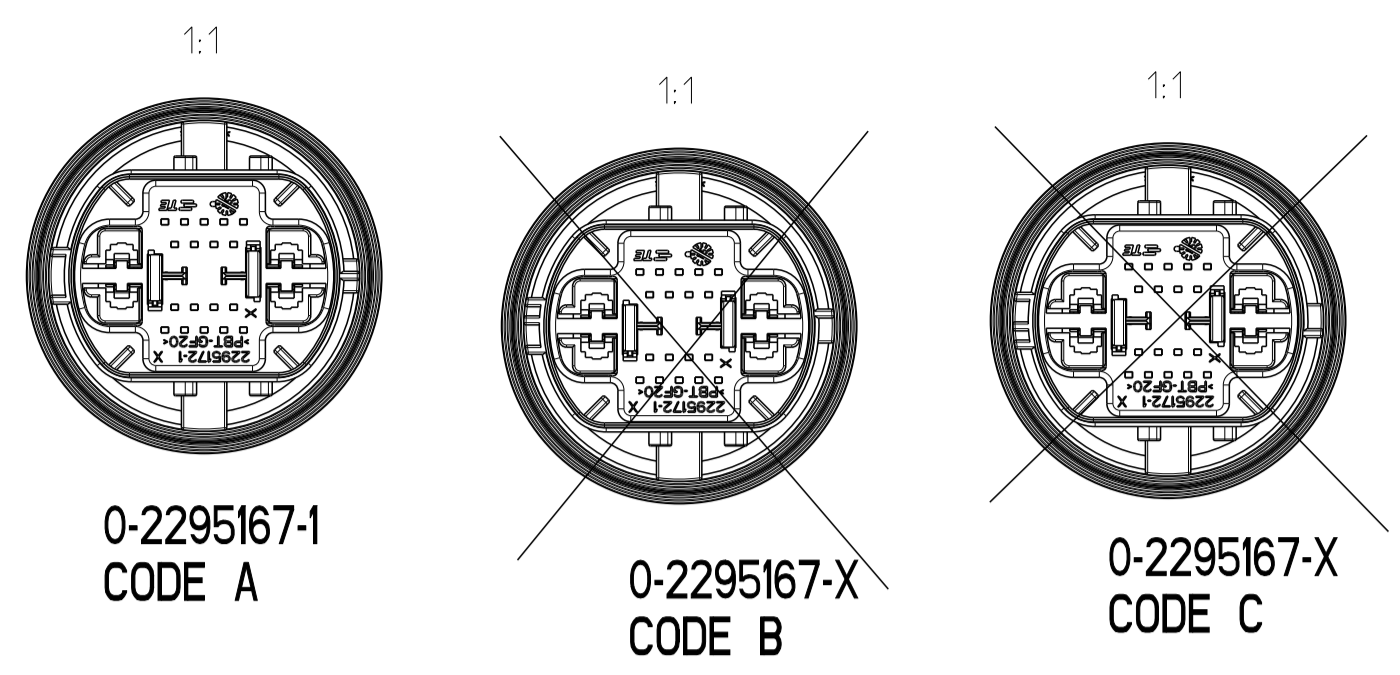
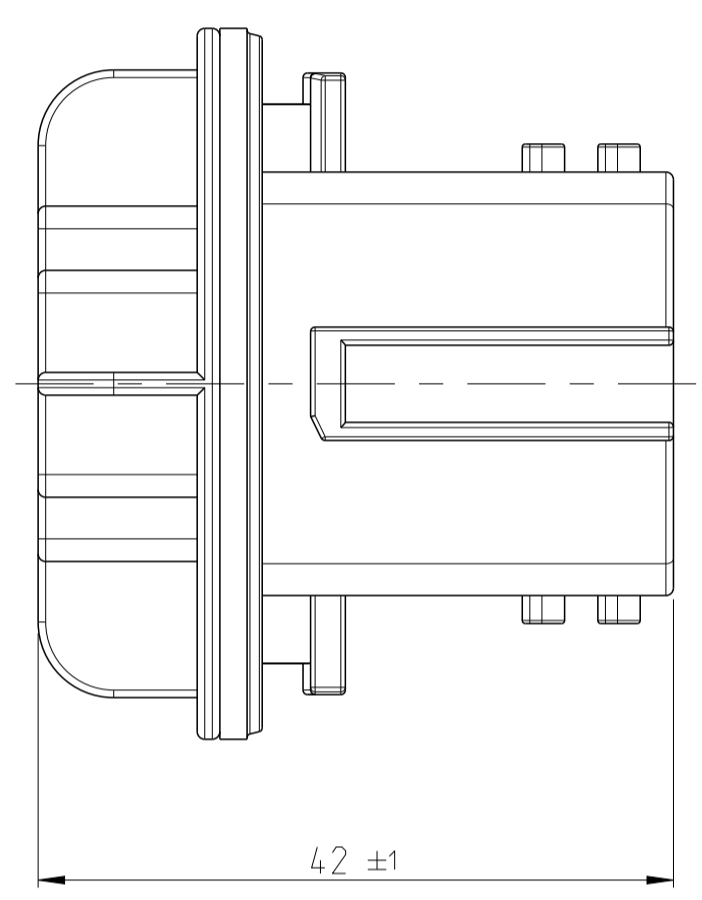
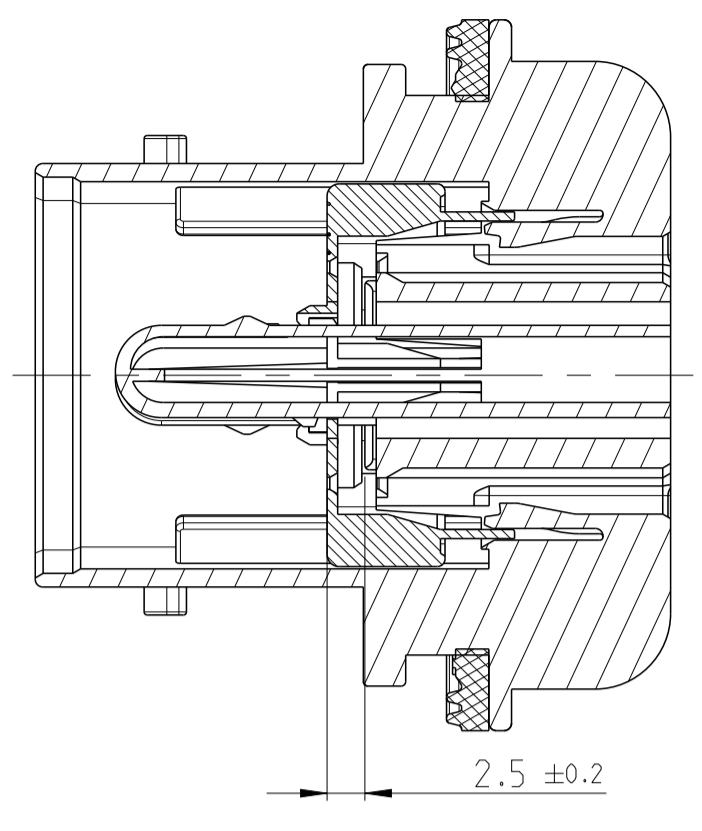


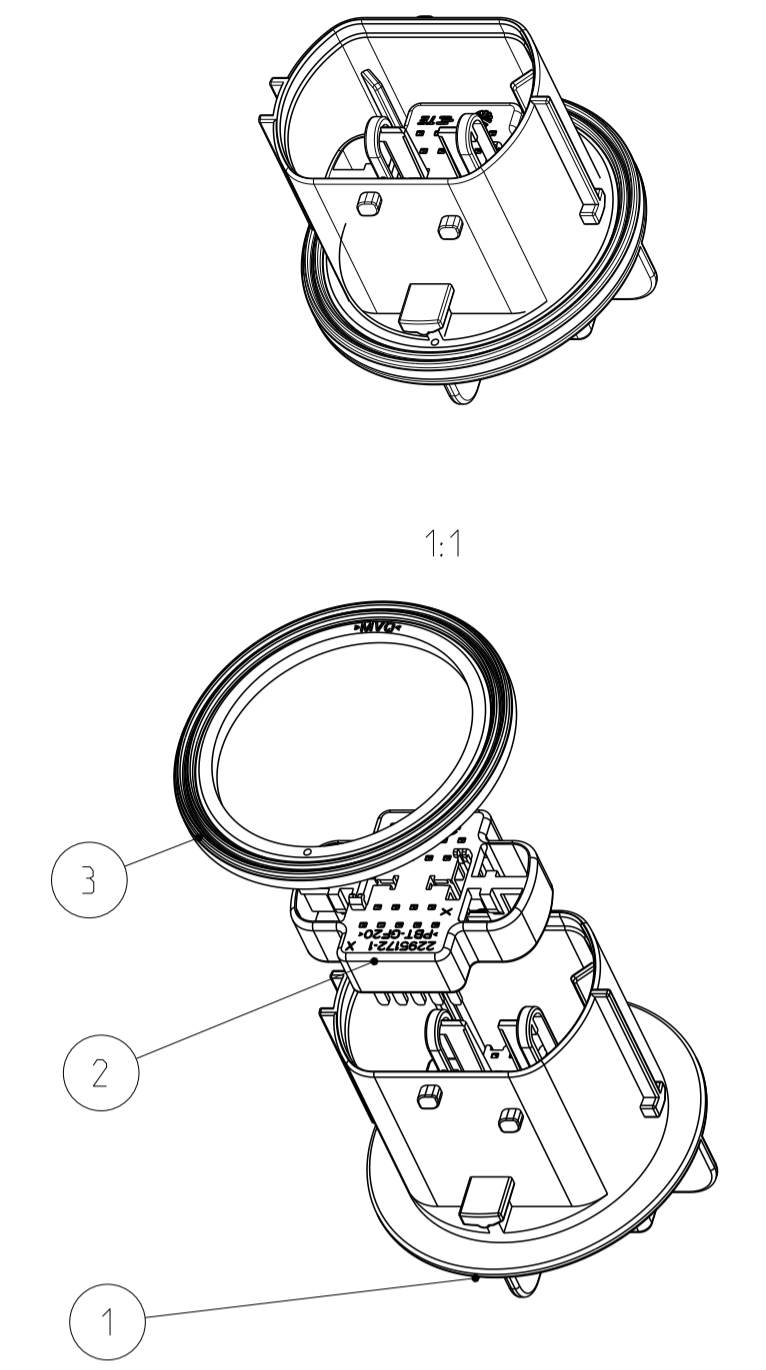
**CODINGS**



**CONNECTOR VIEW WITH TPA  
 IN SET-POSITION  
 (AFTER TERMINAL INSERTION)**



REVISIONS				
P.	LTN.	DESCRIPTION	DATE	DWN. APVD.
A1		DRAWING UPDATE	02DEC12015	MT HR
A2		SEE E-16-013209	15SEP2016	KC SH
B		SEE PCN E-16-013833	30SEP2016	GH HR
B1		SEE PCN E-17-000104	06JAN2017	GH HR



**NOTES**

- 1 DELIVERY CONDITION: SPACER (TPA) IN PRE-LOCK POSITION
- 2 MATING PART TE PN 2295154
- 3 CONNECTOR VALIDATED TO USCAR2 REV. 6
- 4 ONLY FOR INFORMATION. CHECK LATEST REVISION OF THE SUPPLIER SPECIFICATION FOR TERMINAL PROPERTIES

**APPLICABLE COMPONENTS BOX**

DESCRIPTION	PLATING /COLOUR	SUPPLIER	SUPPLIER PART NO. (WIRE SIZE)	TE APPL. SPEC. TE PROD. SPEC.
0.64 GENERATION Y UNSEALED MALE TERMINAL	TIN	TE	1924968-1 (0.35-0.5mm <sup>2</sup> )	114-13183
0.64 GENERATION Y UNSEALED MALE TERMINAL	TIN	TE	1924968-2 (0.75mm <sup>2</sup> )	114-13183
0.64 GENERATION Y UNSEALED MALE TERMINAL	TIN	TE	1924968-3 (0.35-0.5mm <sup>2</sup> )	114-13183
0.64 GENERATION Y UNSEALED MALE TERMINAL	TIN	TE	1924968-4 (0.75mm <sup>2</sup> )	114-13183
0.64 GENERATION Y UNSEALED MALE TERMINAL	TIN	TE	1924968-6 (0.35mm <sup>2</sup> )	114-13183
0.64 GENERATION Y UNSEALED MALE TERMINAL	TIN	TE	1924968-8 (0.35mm <sup>2</sup> )	114-13183
2.8 MALE TERMINAL	TIN	YAZAKI	7114-4110-02 (0.35-0.5mm <sup>2</sup> )	-
2.8 MALE TERMINAL	TIN	YAZAKI	7114-4111-02 (0.75-1.0mm <sup>2</sup> )	-
2.8 MALE TERMINAL	TIN	YAZAKI	7114-4112-02 (1.5-2.5mm <sup>2</sup> )	-
2.8 MALE TERMINAL	TIN	TE	0-1326029-1 (0.35mm <sup>2</sup> )	114-13013
2.8 MALE TERMINAL	TIN	TE	0-1326029-2 (0.5-1.0mm <sup>2</sup> )	114-13013
2.8 MALE TERMINAL	TIN	TE	0-1326029-3 (1.5-2.5mm <sup>2</sup> )	114-13013

TE-ORDER-NO.	REV. CODE	WEIGHT (g)	QTY	DESCRIPTION	COLOUR	ITEM NO.
0-2295167-X	B	C	-	1 PANEL SEAL	GRASS GREEN	3
				1 SPACER (TPA)	RED	2
				1 MALE HOUSING	BLACK	1
0-2295167-X	B	B	-	1 PANEL SEAL	GRASS GREEN	3
				1 SPACER (TPA)	RED	2
				1 MALE HOUSING	BLACK	1
0-2295167-1	B	A	-	1 PANEL SEAL	GRASS GREEN	3
				1 SPACER (TPA)	RED	2
				1 MALE HOUSING	BLACK	1

THIS DRAWING IS A CONTROLLED DOCUMENT. DIMENSIONING AND TOLERANCING PER GPS (ISO STANDARDS). DIMENSIONS: mm. TOLERANCES UNLESS OTHERWISE SPECIFIED: 0 PLC #, 1 PLC #, 2 PLC #, 3 PLC #, 4 PLC #, ANGLES #, FINISH #.

DWN. M. TRAJKOV 01SEP2015  
 CHK. G. HOTEA 01SEP2015  
 APVD. H. RIPPER 01SEP2015

**TE** TE Connectivity

NAME: MALE HOUSING ASSEMBLY 22WAY CONNECTOR

SIZE: A1 CAGE CODE: 00779 DRAWING NO: 2295167

SCALE: 5:1 SHEET: 1 OF 1 REV: B1