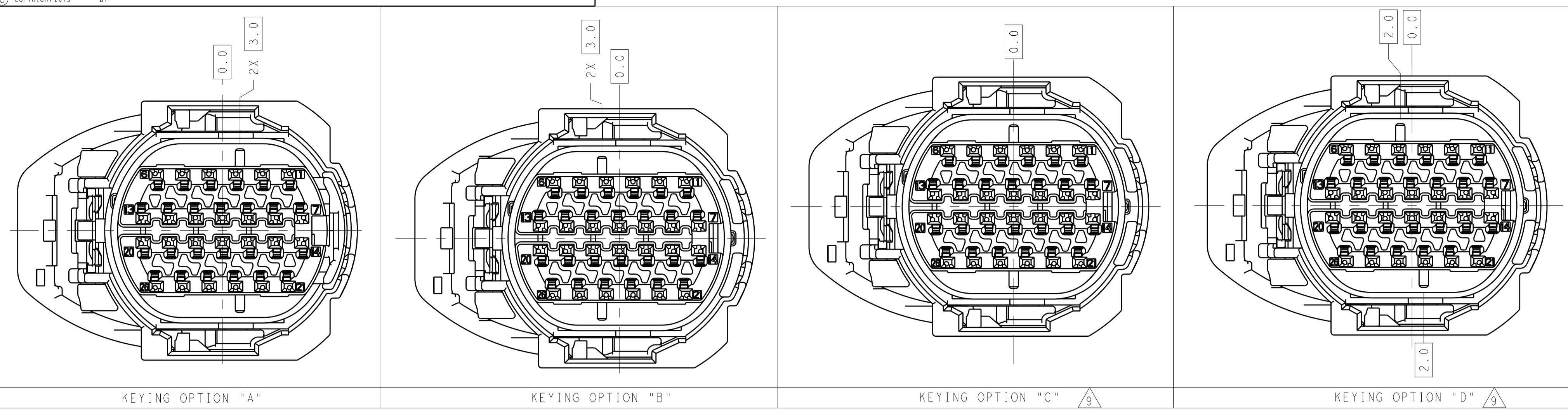
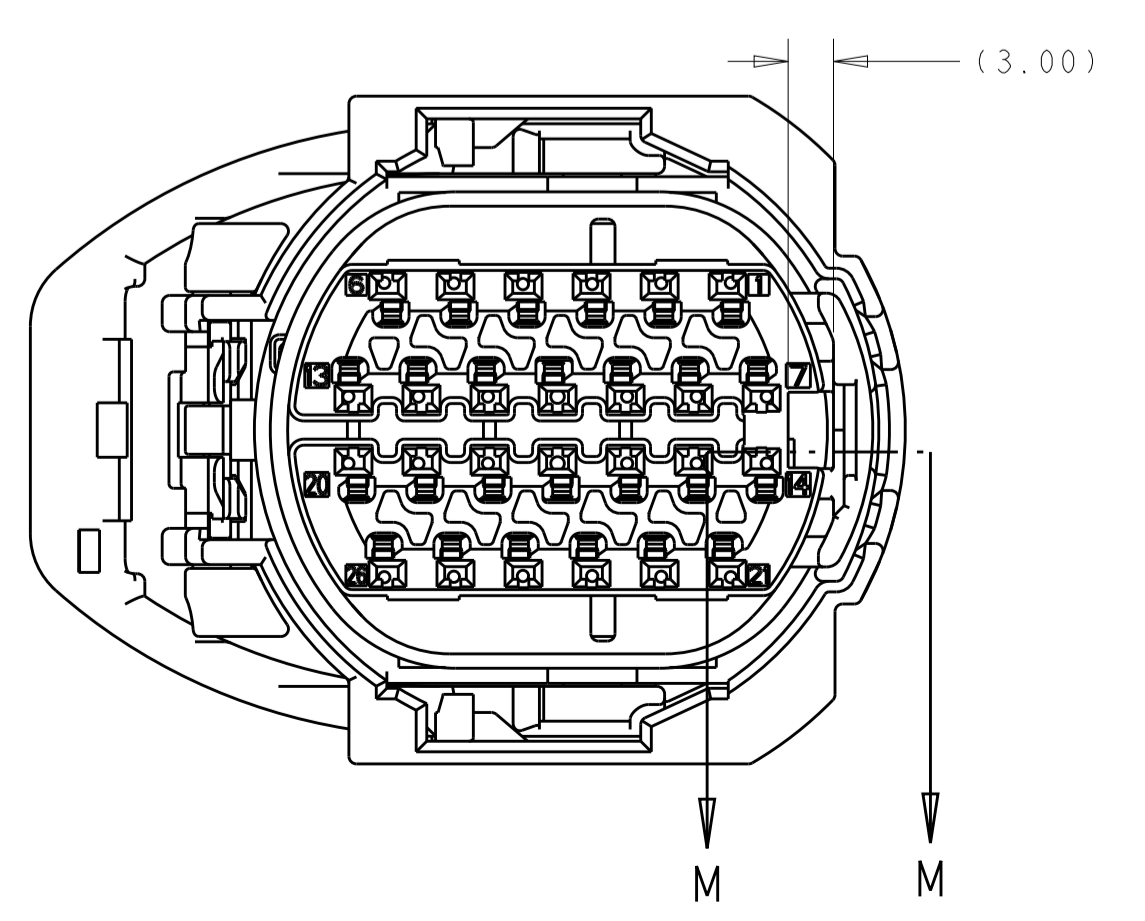
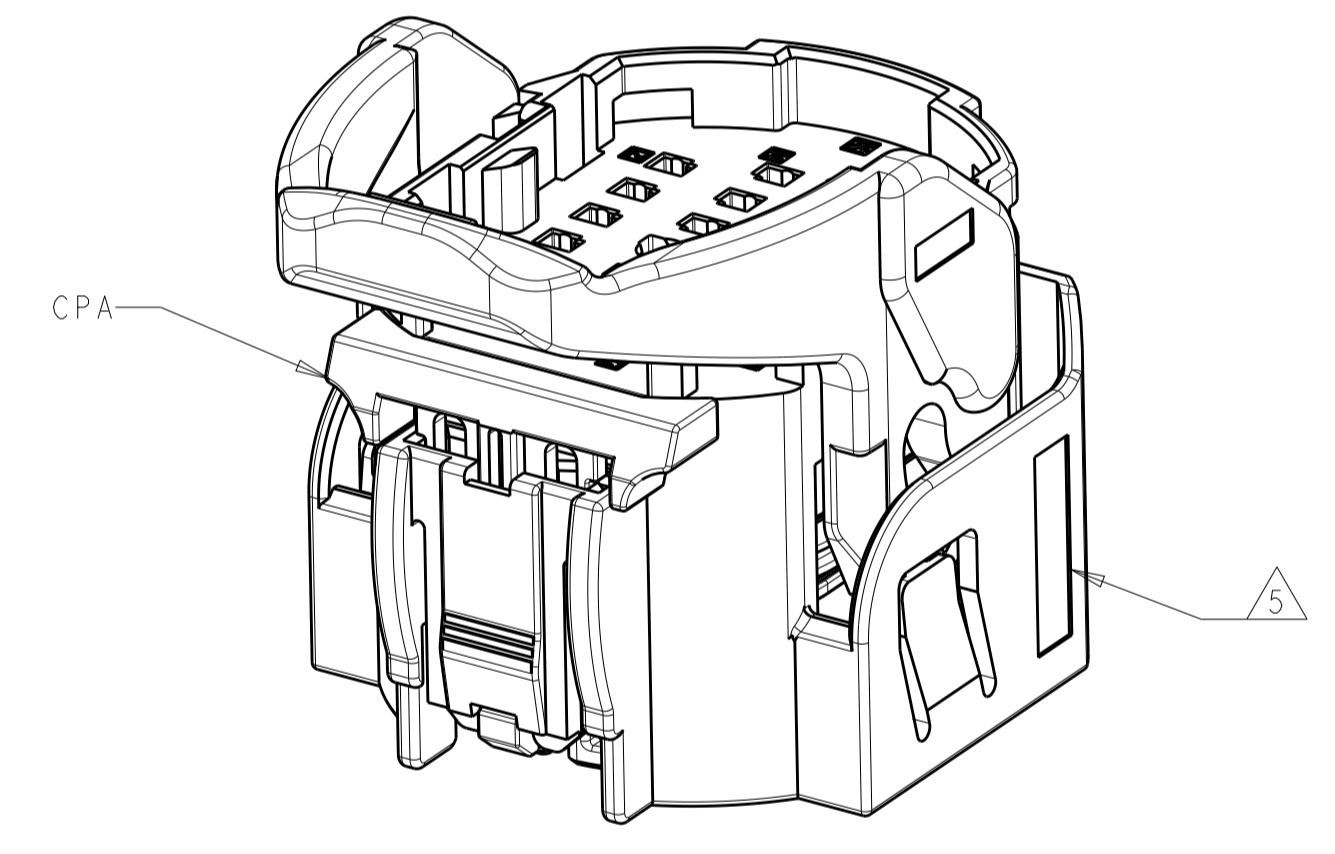
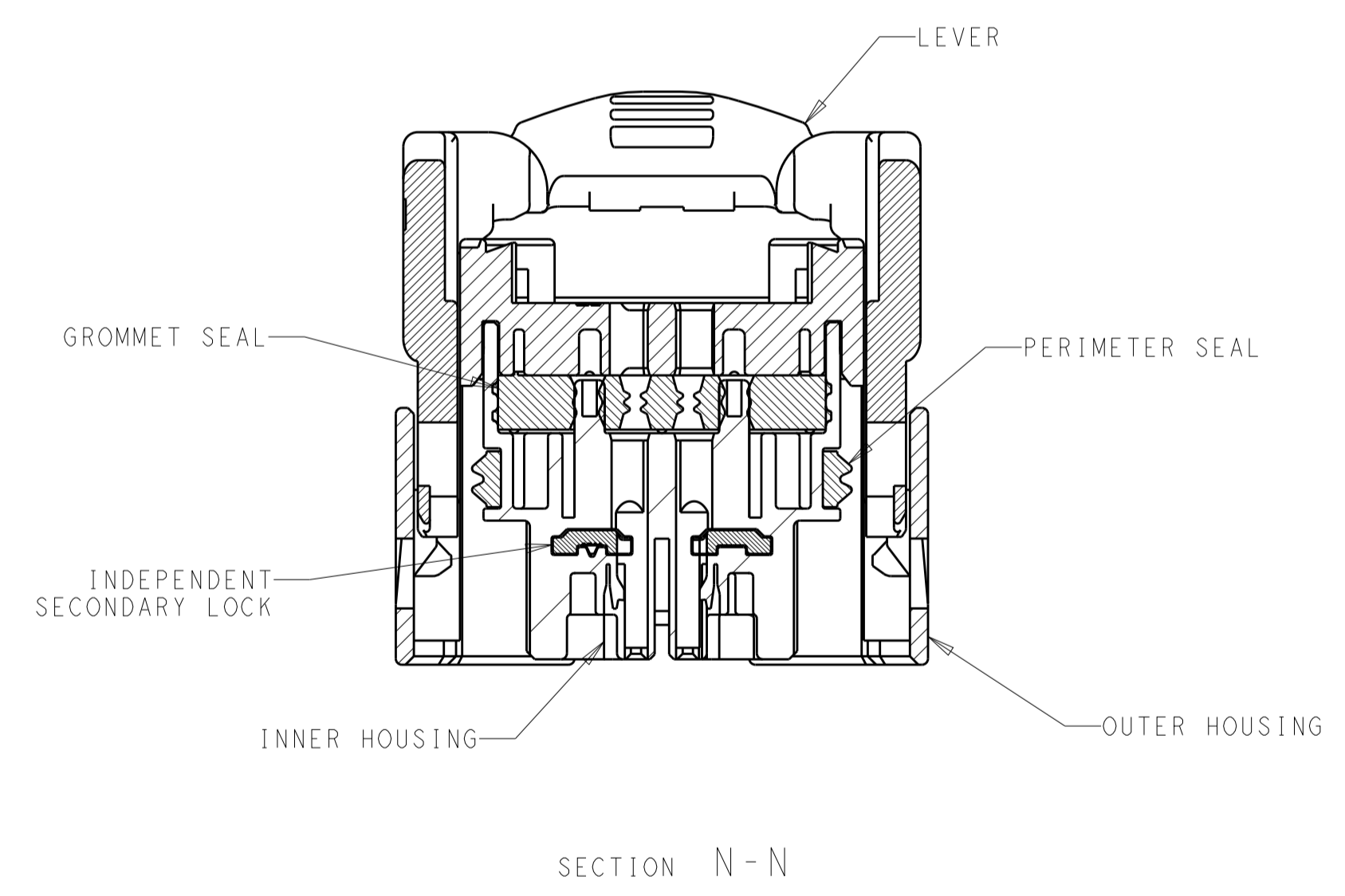
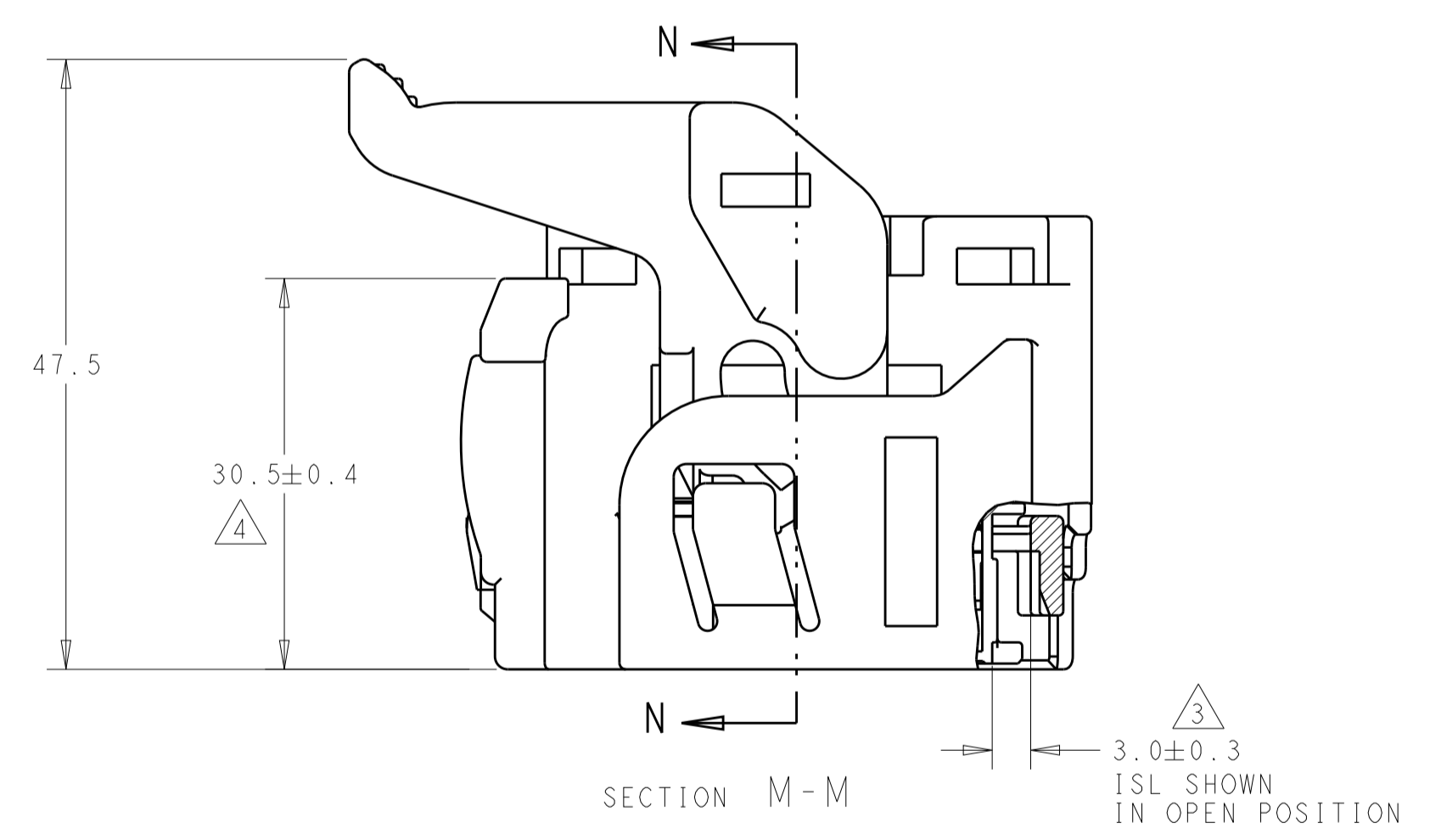
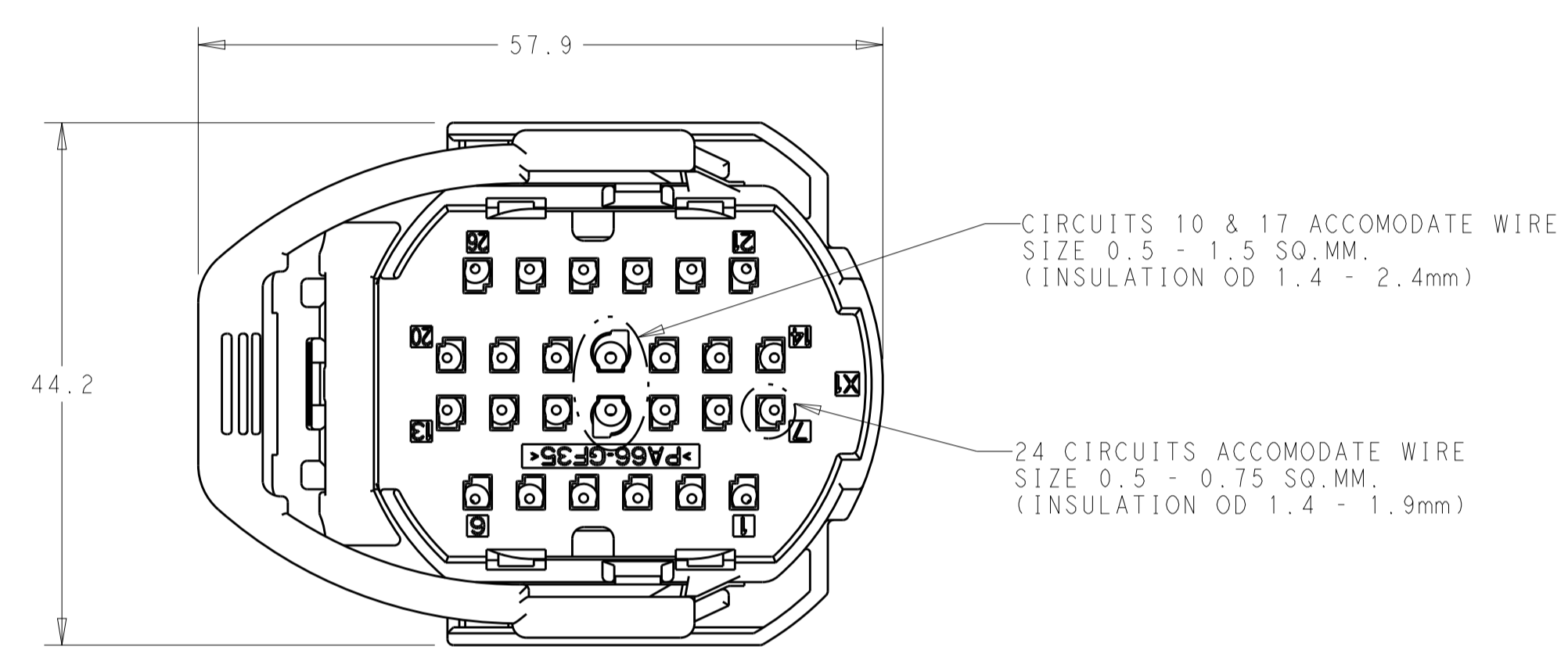


REVISIONS				
P.	LTN.	DESCRIPTION	DATE	OWN. APVD.
1		INITIAL RELEASE	09MAR2018	AJV AJV
A		RELEASE PER ECR-18-007244	10MAY2018	AJV AJV



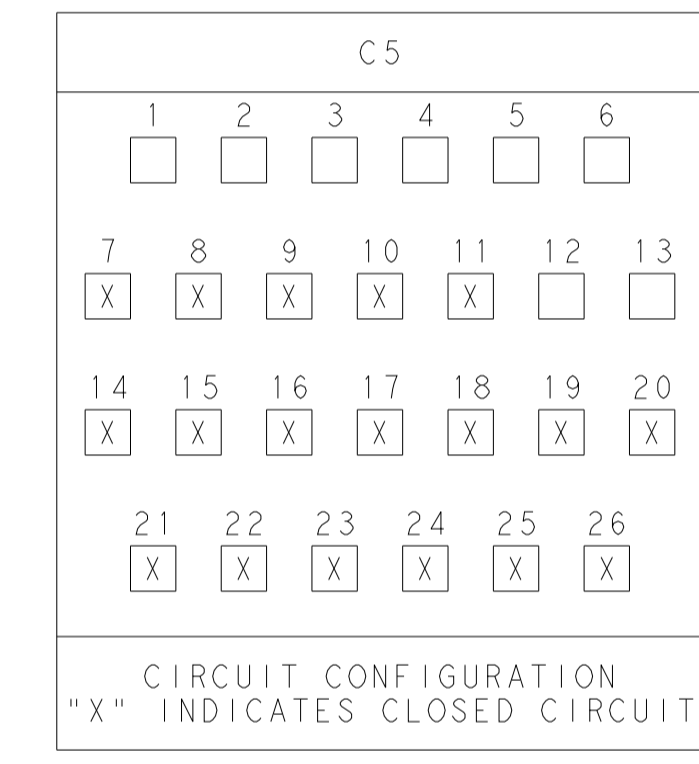
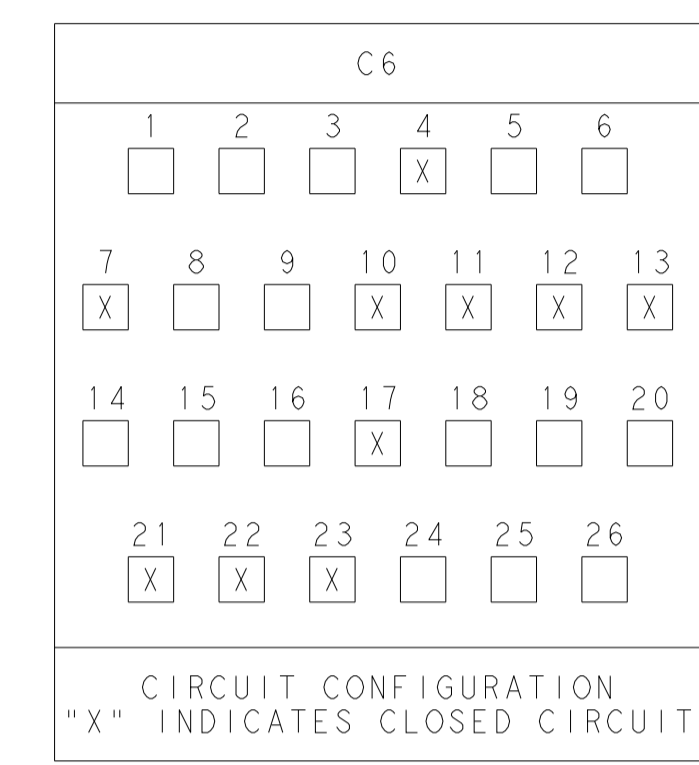
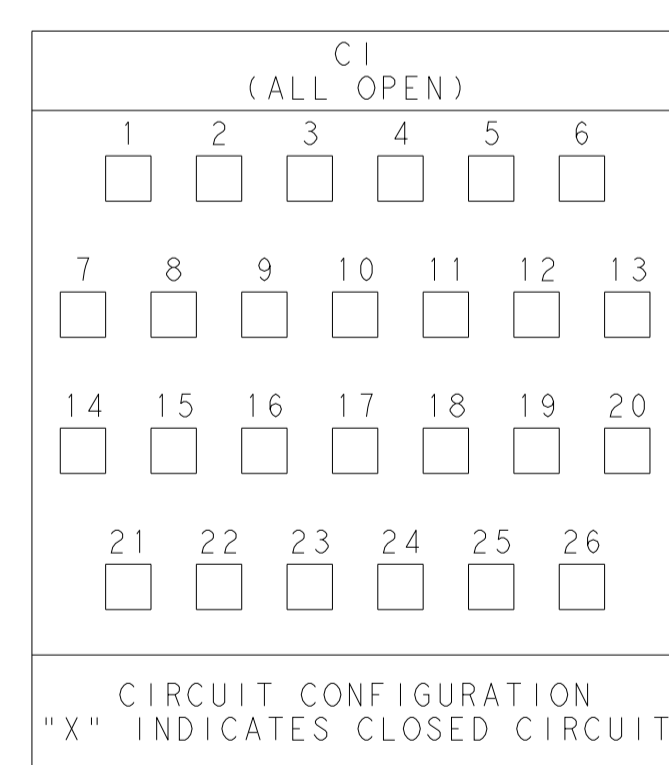
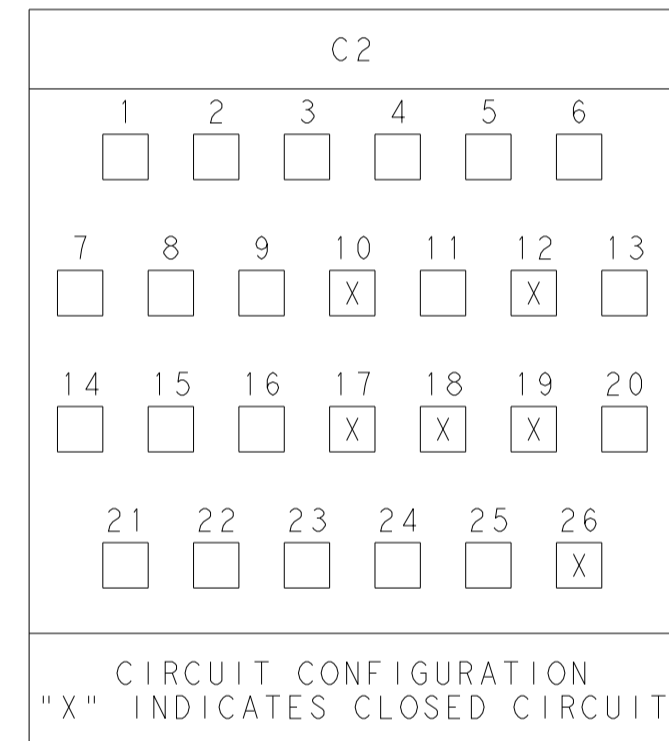
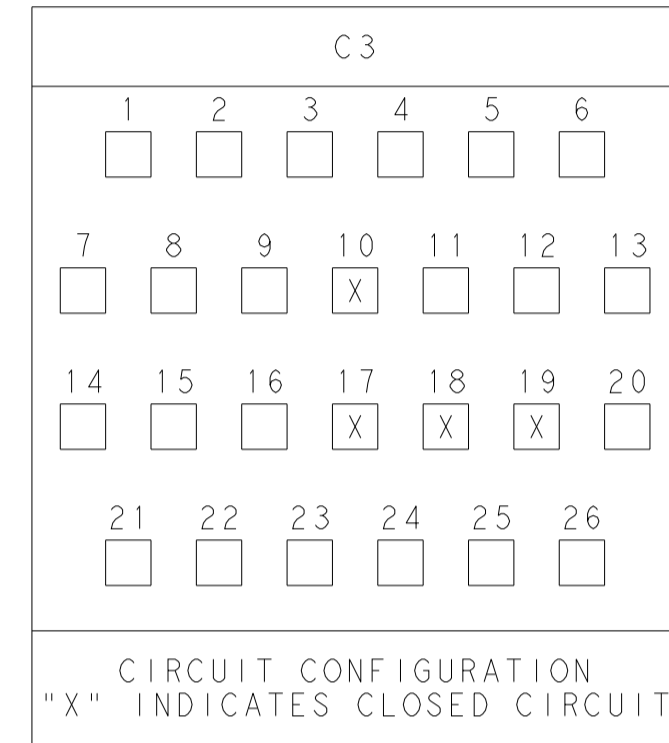
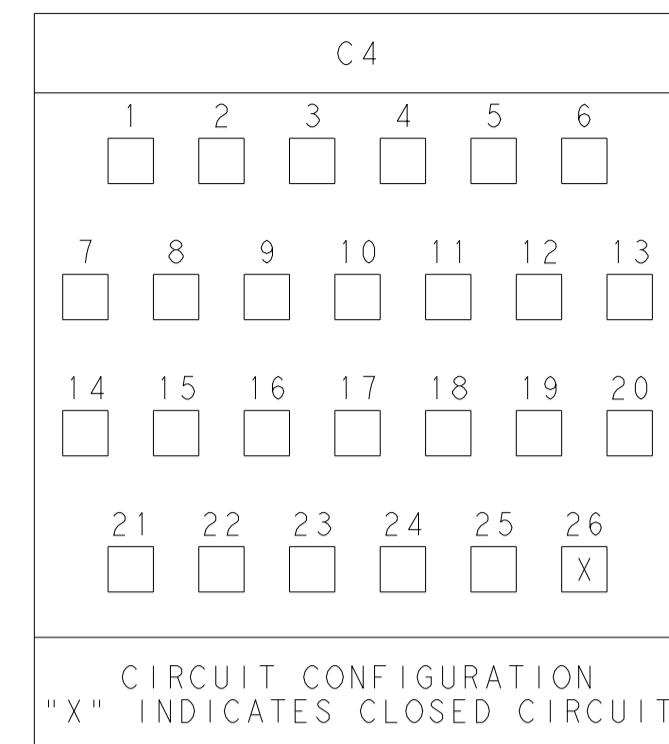
- NOTES:
- 1 MATERIAL:  
 INNER/OUTER HOUSINGS - NYLON 6/6, 35% GLASS FILLED, BLACK  
 PERIMETER SEAL - SILICONE, INHERENTLY LUBRICATED, GREEN  
 GROMMET SEAL - SILICONE RUBBER, INHERENTLY LUBRICATED, BLUE  
 SECONDARY LOCK - NYLON 6/6, 35% GLASS FILLED, GRAY  
 CPA - PBT, 30% GLASS FILLED, RED  
 LEVER - NYLON 6/6, 35% GLASS FILLED, GRAY
  - 2. 2327375-1 SHOWN IN GENERAL VIEWS.
  - 3 ISL SHOWN IN PRE-SET, SHIPPING POSITION.
  - 4 CPA SHOWN IN PRE-SET, SHIPPING POSITION.
  - 5 TE PART NO. AND JULIAN DATE CODE (YY-DDD) MARKED IN APPROXIMATE LOCATION.
  - 6. APPLICABLE TERMINALS: MCON 1.2 CLEAN BODY  
 TE P/N 1670144-X (0.5-0.75 SQ.MM.) ALL CIRCUITS  
 TE P/N 1452503-X (1.0-1.5 SQ.MM.) CIRCUITS 10 AND 17 ONLY.
  - 7. MATES WITH TE HEADER ASSEMBLY: 2297721 AND 2309563
  - 8. SEE SHEET 2 FOR PART NUMBER TABLE WITH KEYING AND CIRCUIT CONFIGURATION OPTIONS.
  - 9 PRELIMINARY DESIGN - NOT TOOLED.
  - 10. APPLICABLE CAVITY PLUGS FOR UNUSED CIRCUITS:  
 TE P/N 1-1452424-2 (PRESS FIT TYPE FOR CIRCUITS 10 & 17 ONLY)  
 TE P/N 1-1452424-1 (PRESS FIT TYPE FOR ALL CIRCUITS EXCEPT 10 & 17)  
 ALSO:  
 TE P/N 2286476-2 (SEC. LOCK STYLE, FOR CIRCUITS 10 & 17 ONLY)  
 TE P/N 2286476-1 (SEC. LOCK STYLE, FOR ALL CIRCUITS EXCEPT 10 & 17)



THIS DRAWING IS A CONTROLLED DOCUMENT.		OWN: CHETHAN.K 13NOV2013	TE Connectivity
DIMENSIONS: mm		CHK: A.VASBINDER 14FEB2018	
TOLERANCES UNLESS OTHERWISE SPECIFIED:		APVD: A.VASBINDER 14FEB2018	NAME: 26P SEALED MCON FEMALE ASSEMBLY IMPROVED INNER HOUSING
0 PLC	±	PRODUCT SPEC	SIZE: 408-32149
1 PLC	±0.5	APPLICATION SPEC	SCALE: 2:1
2 PLC	±0.3	WEIGHT	SHEET 1 OF 2
3 PLC	±	CUSTOMER DRAWING	REV A
4 PLC	±		
ANGLES	±		
FINISH	±		

REVISIONS				
P.	LTN	DESCRIPTION	DATE	APP'D
-	-	SEE SHEET 1	-	-

FORD	C482	EU5T-14A464-MAB-005	C6	A	2327375-9
FORD	CD6	EU5T-14A464-MAB-004	C5	A	2327375-8
FORD	CABLE SHIFT / STOP-START	EU5T-14A464-MAB-003	C4	A	2327375-7
FORD	SHIFT BY WIRE / NON STOP-START	EU5T-14A464-MAB-002	C3	A	2327375-6
FORD	CABLE SHIFT / NON STOP-START	EU5T-14A464-MAB-001	C2	A	2327375-5
VARIOUS	SHIFT BY WIRE / STOP-START VARIOUS (ALL OPEN)	VARIOUS	C1	D	2327375-4
			C1	C	2327375-3
			C1	B	2327375-2
			C1	A	2327375-1
OEM	APPLICATION	CUSTOMER PART NUMBER	CIRCUIT CONFIGURATION	KEYING CONFIGURATION	PART NUMBER



BLOCKED	4, 7, 10, 11, 12, 13, 17, 21, 22, 23	A	2327375-9
	7, 8, 9, 10, 11, 14, 15, 16, 17, 18, 19, 20, 21, 22, 23, 24, 25, 26	A	2327375-8
	26	A	2327375-7
	10, 17, 18, 19	A	2327375-6
	10, 12, 17, 18, 19, 26	A	2327375-5
	ALL OPEN	D	2327375-4
	ALL OPEN	C	2327375-3
	ALL OPEN	B	2327375-2
	ALL OPEN	A	2327375-1
	CIRCUIT CONFIGURATION	KEYING CONFIGURATION	PART NUMBER

THIS DRAWING IS A CONTROLLED DOCUMENT.		DWN: CHEZHAN.K 13NOV2013 CHK: A.VASBINDER 14FEB2018 APP'D: A.VASBINDER 14FEB2018	TE Connectivity
DIMENSIONS: mm 	TOLERANCES UNLESS OTHERWISE SPECIFIED: 0 PLC ± 1 PLC ±0.5 2 PLC ±0.3 3 PLC ± 4 PLC ± ANGLES ±° FINISH	NAME: 26P SEALED MCON FEMALE ASSEMBLY IMPROVED INNER HOUSING PRODUCT SPEC: - APPLICATION SPEC: - SIZE: A1 CAGE CODE: - DRAWING NO: 2327375 WEIGHT: - CUSTOMER DRAWING	
MATERIAL:		SCALE: 2:1 SHEET: 2 OF 2 REV: A	