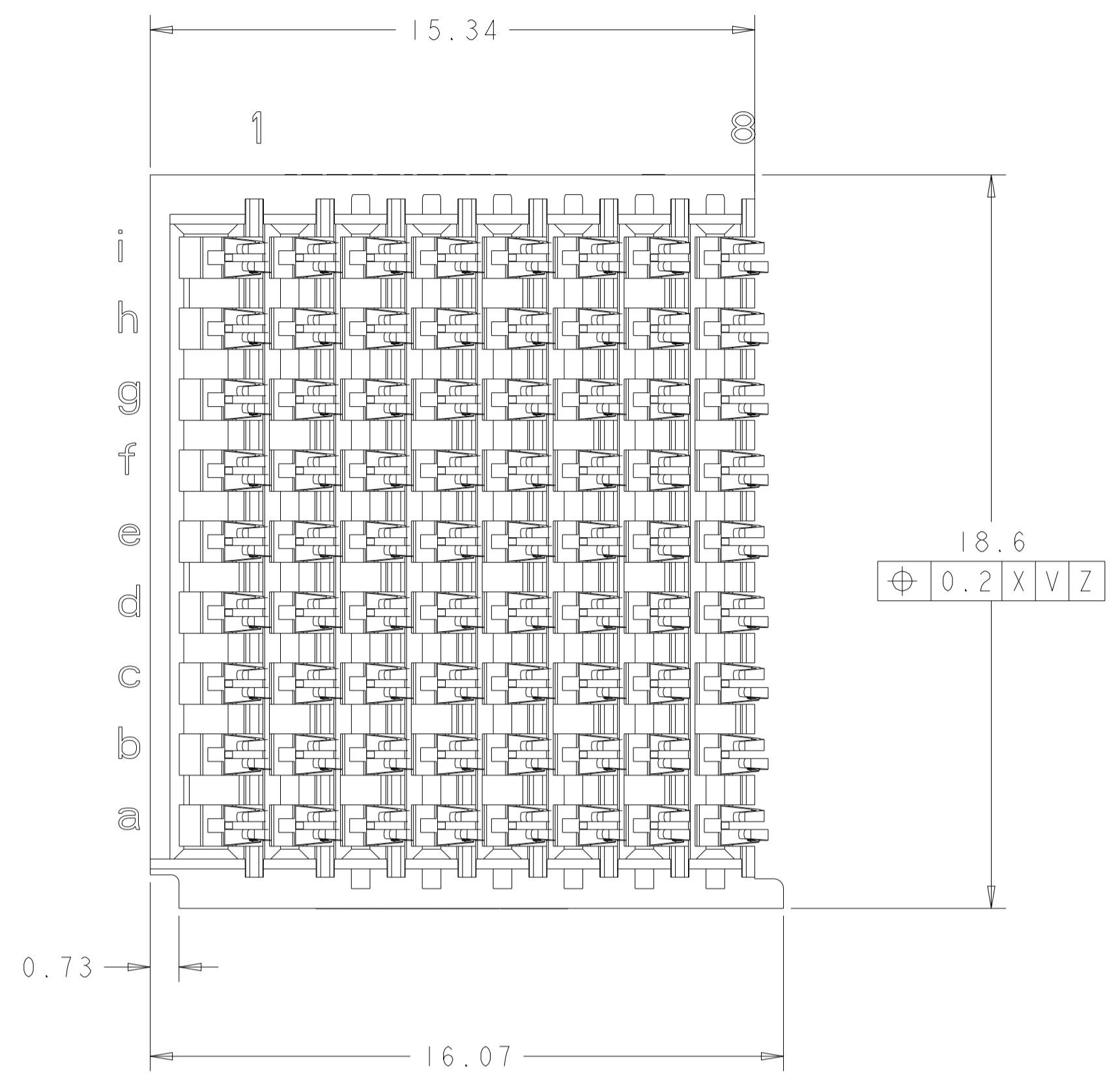
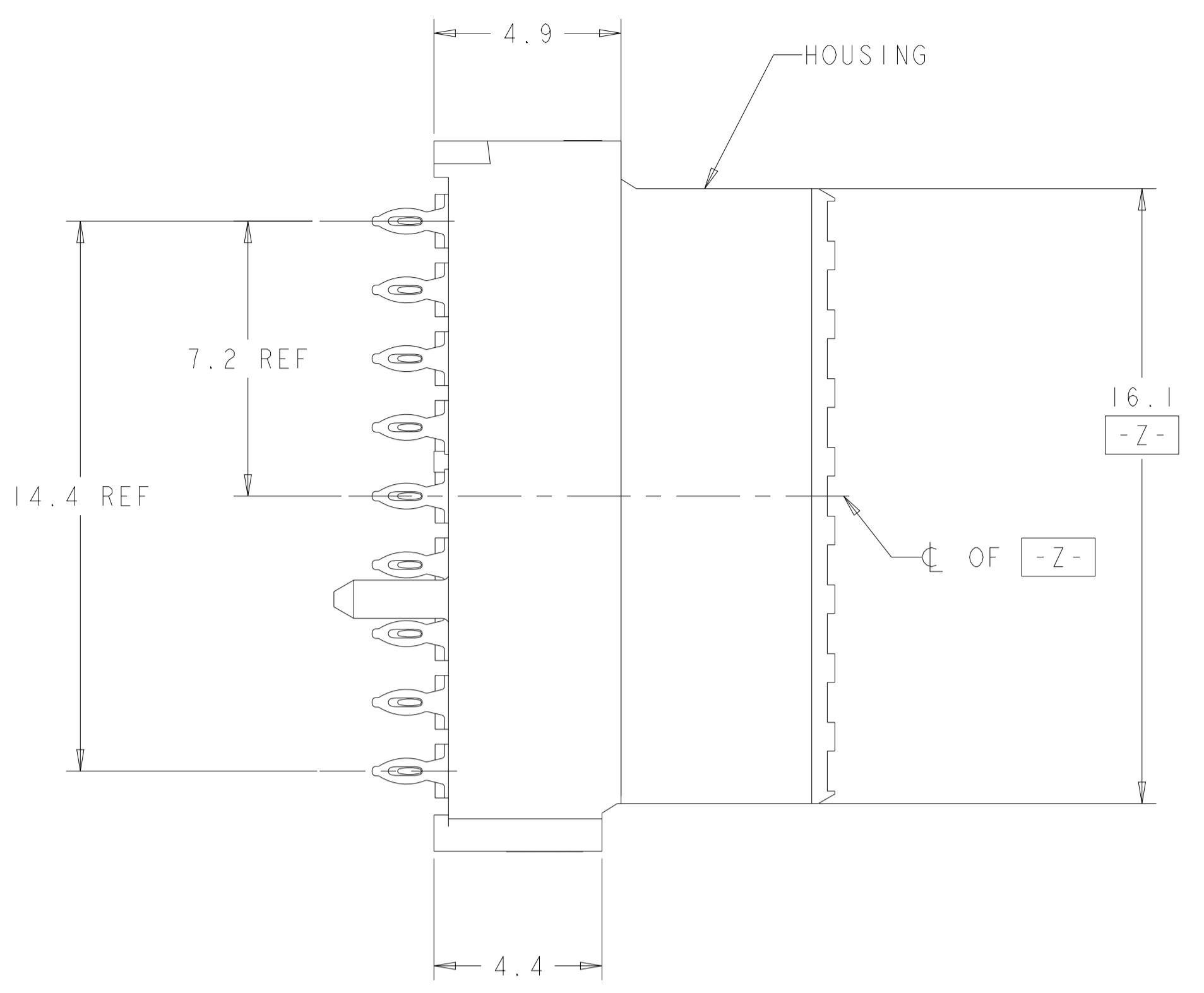


REVISIONS				
P	LTN	DESCRIPTION	DATE	APVD
B		REVISED PER ECO-21-003080	02NOV2021	LN DH

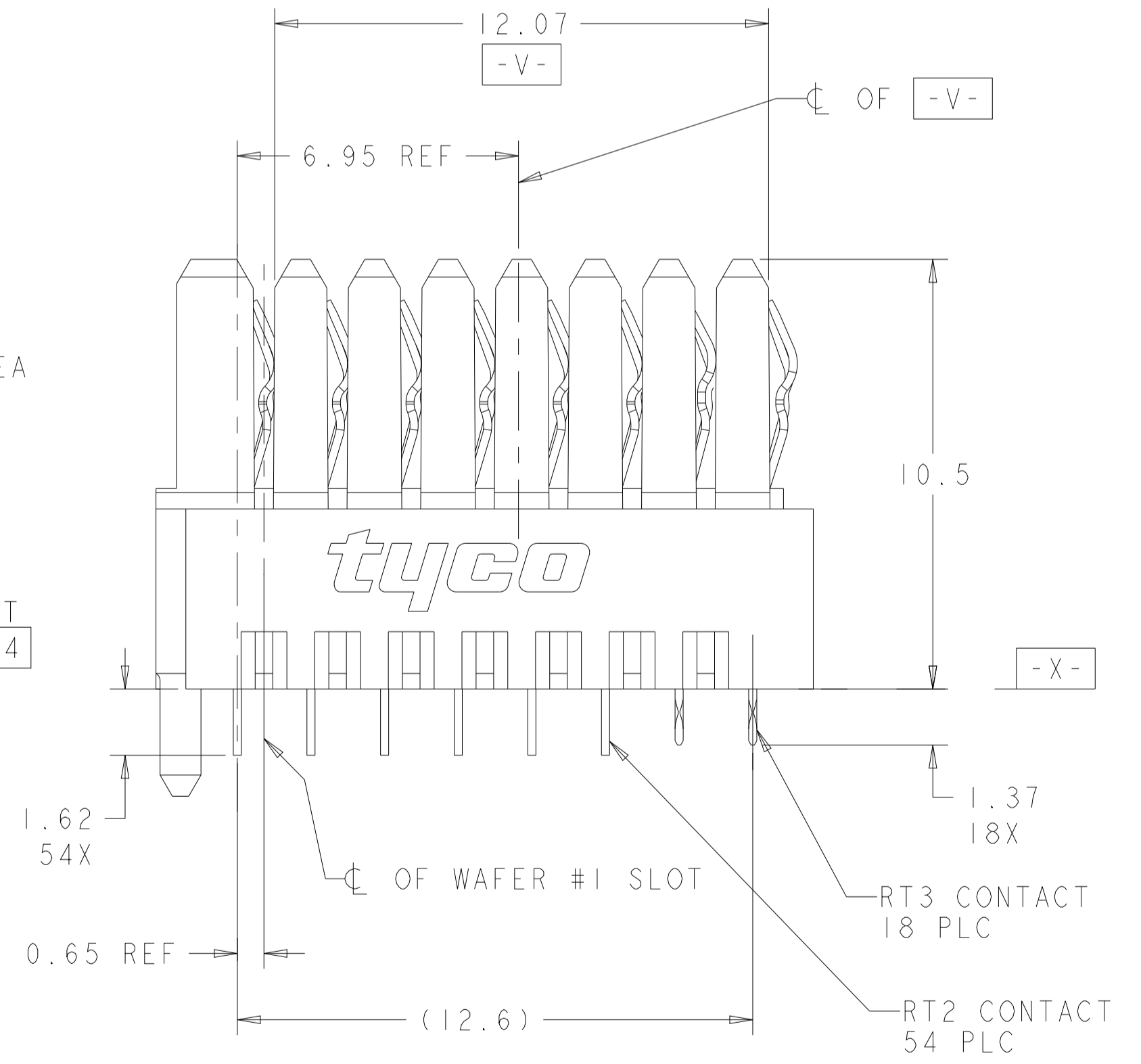
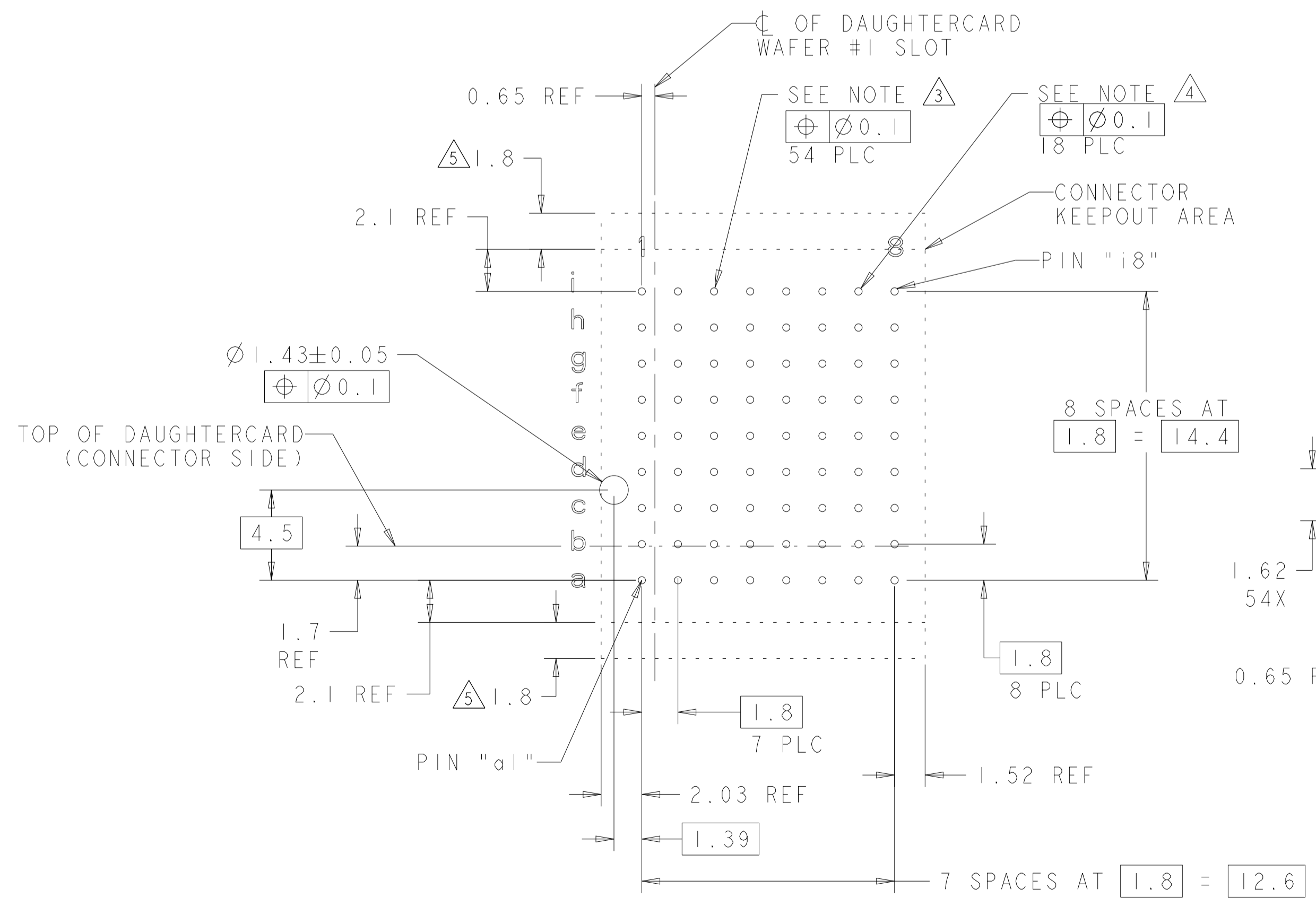


ALIGNMENT TAB

	1	2	3	4	5	6	7	8
a	2	2	2	2	2	2	2	3
b	2	2	2	2	2	2	2	3
c	2	2	2	2	2	2	2	3
d	2	2	2	2	2	2	2	3
e	2	2	2	2	2	2	2	3
f	2	2	2	2	2	2	2	3
g	2	2	2	2	2	2	2	3
h	2	2	2	2	2	2	2	3
i	2	2	2	2	2	2	2	3

2 = RT2 CONTACT (SEE NOTE 3)
 3 = RT3 CONTACT (SEE NOTE 4)

- △ HOUSING: LCP, UL94V0, COLOR: BLACK. CONTACT: PHOSPHOR BRONZE.
- △ FINISH: 1.27µm GOLD IN CONTACT AREA 1.27µm MIN. TIN-LEAD (93/7) ON PCB TAIL OVER 2.54µm MIN. NICKEL OVER ALL.
- △ PLATED THROUGH HOLE PER 114-13056, FIGURE 4 OR 114-163004, FIGURE 10.
- △ PLATED THRU HOLE SPECIFICATION:
 DRILLED HOLE: $\varnothing 0.45 \pm 0.02$
 0.025-0.050 THICK COPPER PLATING (MAX HARDNESS 150 KNOOP)
 FINISH OPTIONS:
 0.0038-0.0124 HOT AIR SOLDER LEVELING (HASL) TIN-LEAD (SnPb)
 0.0005-0.004 IMMERSION TIN (Sn)
 0.0002-0.0005 ORGANIC SOLDERABILITY PRESERVATIVE (OSP)
 0.0001-0.0005 IMMERSION SILVER (Ag)
 0.0001-0.0005 IMMERSION GOLD OVER 0.00127-0.0076 NICKEL (ENIG)
 FINISH HOLE DIAMETER AFTER PLATING = $\varnothing 0.36$ REF
- △ ADDITIONAL CONNECTOR-SIDE KEEPOUT AREA REQUIRED IF CONNECTOR-SIDE EXTRACTION TOOL IS TO BE USED.
- △ FINISH: 1.27µm MIN GOLD IN CONTACT AREA, 0.50µm MIN TIN ON PCB TAIL OVER 2.54µm MIN. NICKEL OVER ALL.
- △ FINISH: 1.27µm GOLD IN CONTACT AREA 1.27µm MIN. TIN-LEAD (60/40) ON PCB TAIL OVER 2.54µm MIN. NICKEL OVER ALL.



PC BOARD LAYOUT (CONNECTOR SIDE)
 SEE SHEET 2 FOR RTM)
 SCALE 5:1

△ 7	2332817-3
△ 6	2332817-2
△ 2	2332817-1
PLATING	PART NO

THIS DRAWING IS A CONTROLLED DOCUMENT.

DIMENSIONS:	TOLERANCES UNLESS OTHERWISE SPECIFIED:	OWN: D. BELACK 16OCT2018	CHK: A. TSANG 16OCT2018	APVD: D. HOANG 16OCT2018
mm	0 PLC ±0.5 1 PLC ±0.5 2 PLC ±0.13 3 PLC ±0.13 4 PLC ±0.13 ANGLES ±1°	NAME: VERTICAL RECEPTACLE ASSEMBLY, LEFT END, HALF, MULTIGIG RT 3	PRODUCT SPEC: 108-2072-3	APPLICATION SPEC: 114-163004
MATERIAL:	FINISH: SEE TABLE	SIZE: 114-163004	WEIGHT: 3.55g	RESTRICTED TO: A 00779 C=2332817
		CUSTOMER DRAWING	SCALE: 2:1	SHEET 1 OF 1 REV B