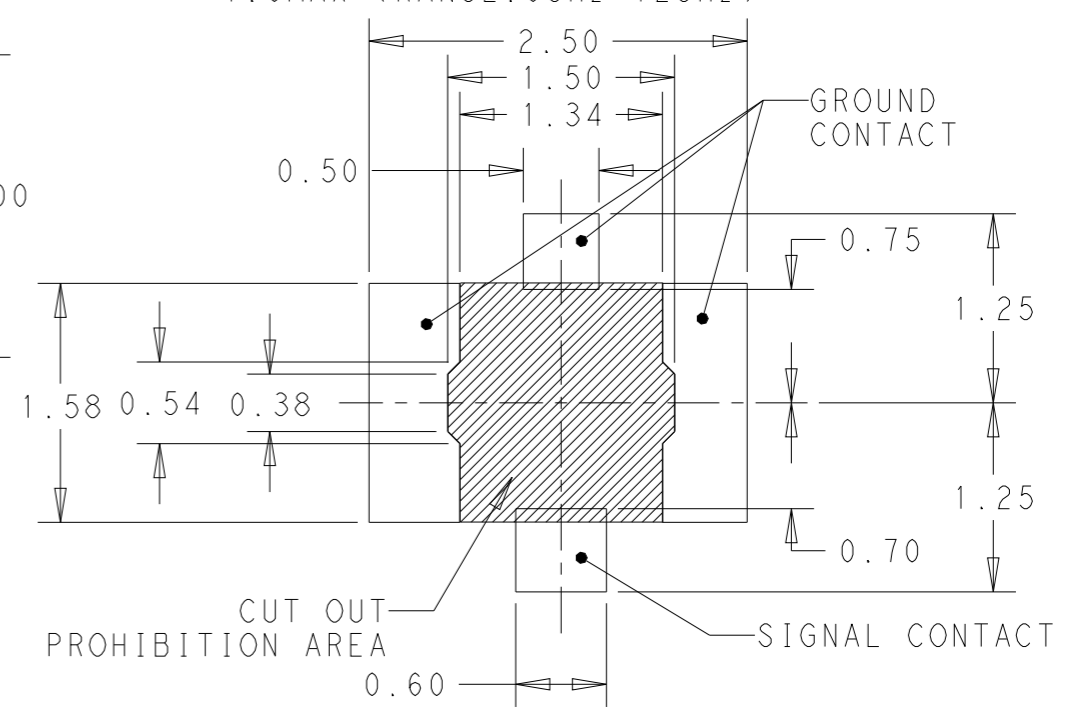
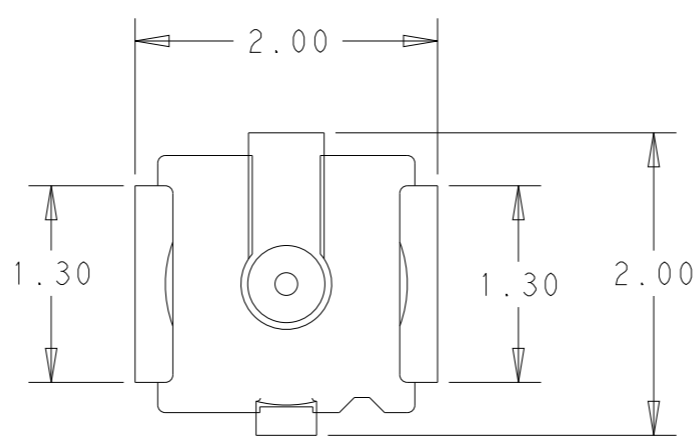
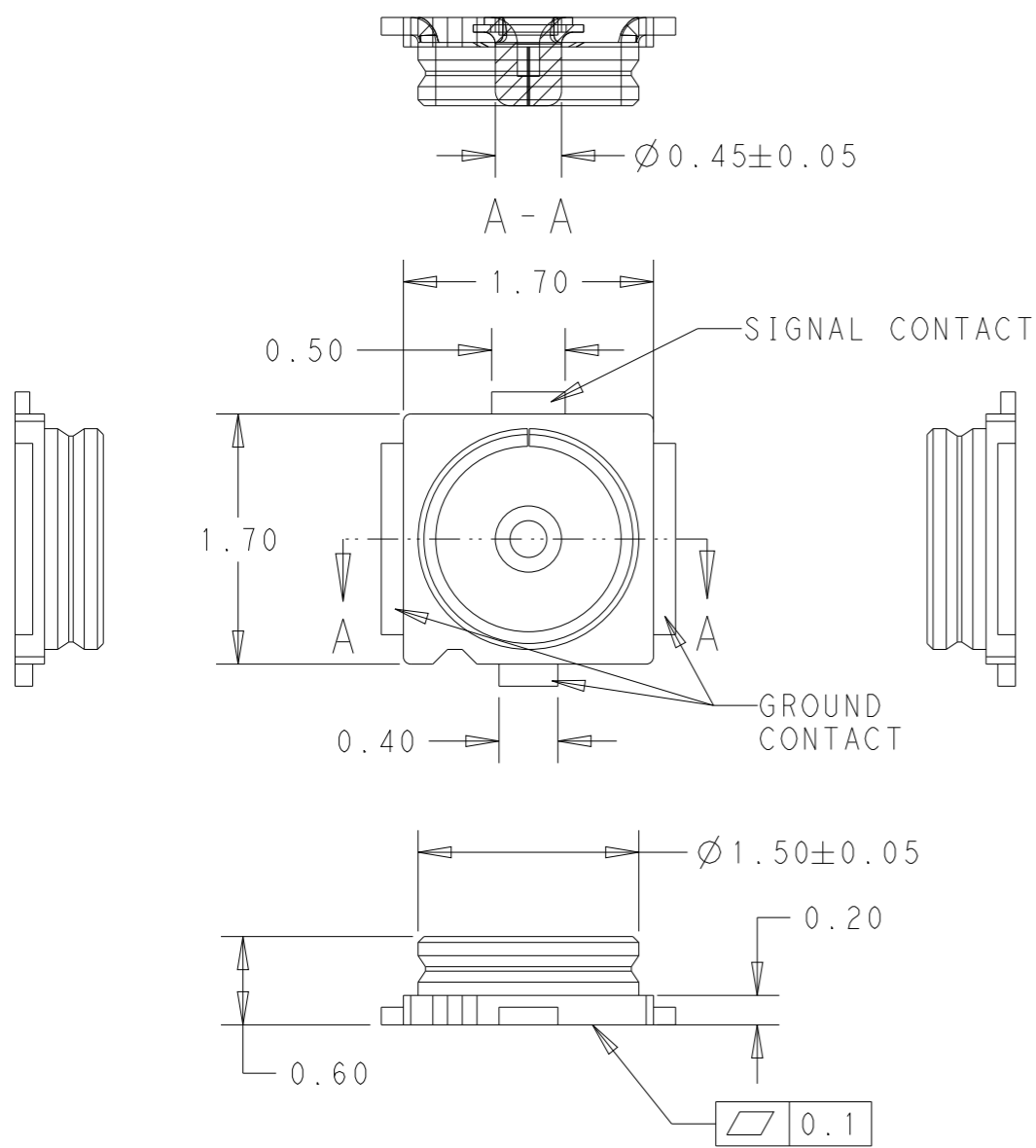


AS SHOWN : 2334884-1

REVISIONS					
P	LTR	DESCRIPTION	DATE	DWN	APVD
	A8	ECR-21-104161 FREQUENCY	28MAY2021	JZ	WKH
	A9	ECR-22-138775	11MAY2022	JZ	WKH
	A10	ECR-24-198976;UPDATED SPEC VSWR	23FEB2024	TP	WH
	A11	ECN-24-271889;VIEW CORRECTION	21JUN2024	TP	WH

1. TECHNICAL PARAMETERS  
 FREQUENCY RANGE : DC~12GHz.  
 NOMINAL CHARACTERISTICS IMPEDANCE : 50Ω  
 INSULATION RESISTANCE : 500MΩMIN  
 INITIAL CONTACT RESISTANCE  
 20mΩMAX(INNER CONTACT) / 20mΩMAX(OUT CONTACT)  
 WITH STANDING VOLTAGE : 200V AC 1min  
 OPERATING TEMPERATURE : -40°C ~ +85°C  
 VSWR: 1.3MAX (RANGE:DC~3GHz)  
 1.4MAX (RANGE:3GHz~6GHz)  
 1.5MAX (RANGE:6GHz~9GHz)  
 1.6MAX (RANGE:9GHz~12GHz)



STANDARD PCB LAYOUT SCALE : 20:1

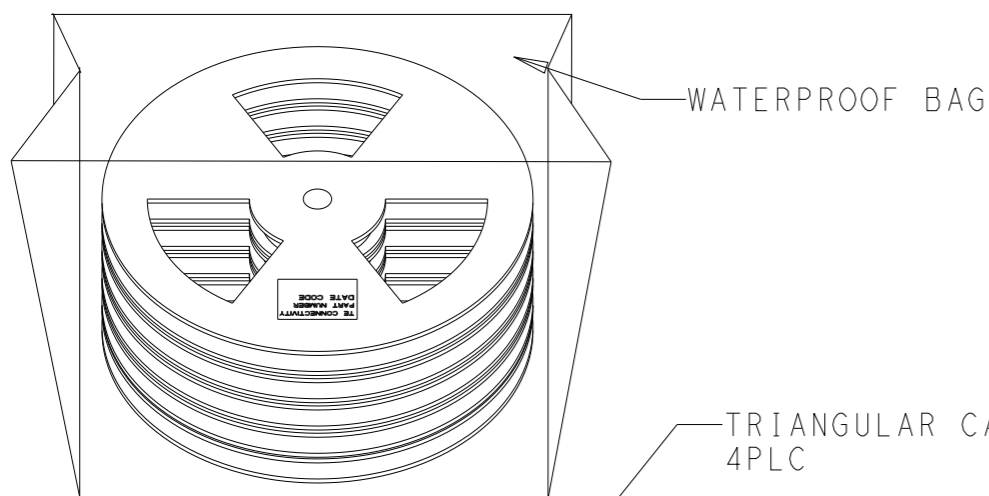
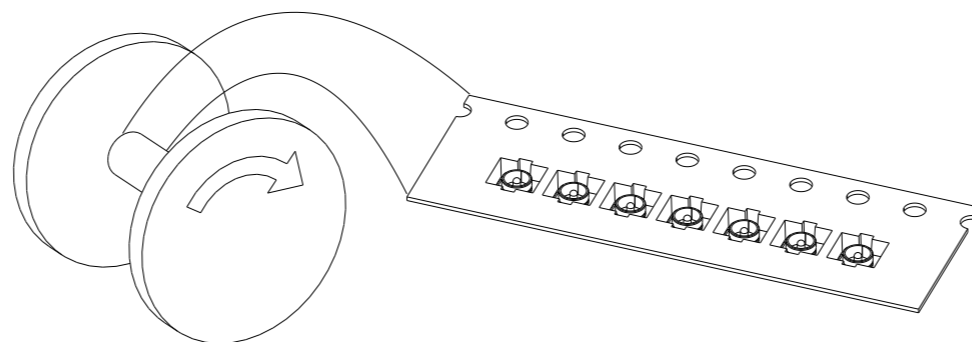
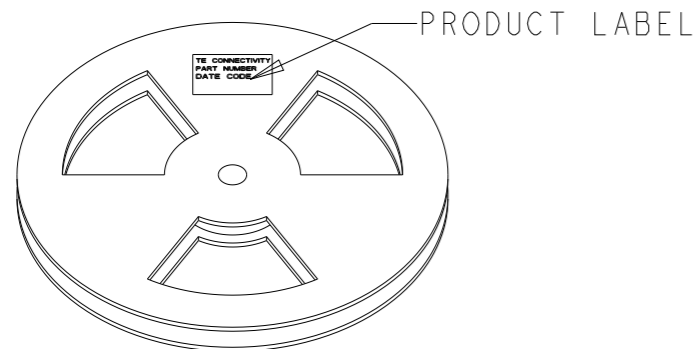
1	CENTER CONTACT	3
1	DIELECTRIC	2
1	SHELL	1
QTY	DESCRIPTION	ITEM

THIS DRAWING IS A CONTROLLED DOCUMENT.		DWN H. TAMURA	17MAY2018		
DIMENSIONS: mm		CHK -	APVD -		
		TOLERANCES UNLESS OTHERWISE SPECIFIED: $\pm 0.15$		NAME UMCC MICRO-COAX RECEPTACLE GEN 4 COMPATIBLE WITH MHF4	
0 PLC $\pm$ 1 PLC $\pm$ 2 PLC $\pm$ 3 PLC $\pm$ 4 PLC $\pm$ ANGLES $\pm 3^\circ$		PRODUCT SPEC - APPLICATION SPEC -		SIZE A3	CAGE CODE 00779
MATERIAL TBD		FINISH -		DRAWING NO C=2334884	
		WEIGHT -		RESTRICTED TO -	
CUSTOMER DRAWING				SCALE 20:1	SHEET 1 OF 2
				REV A11	

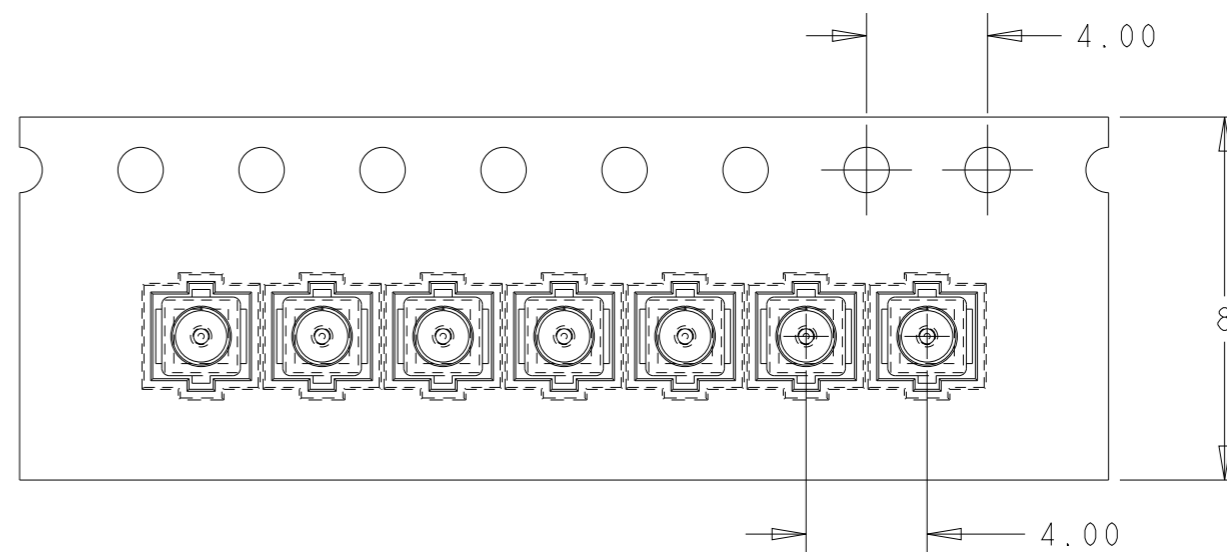
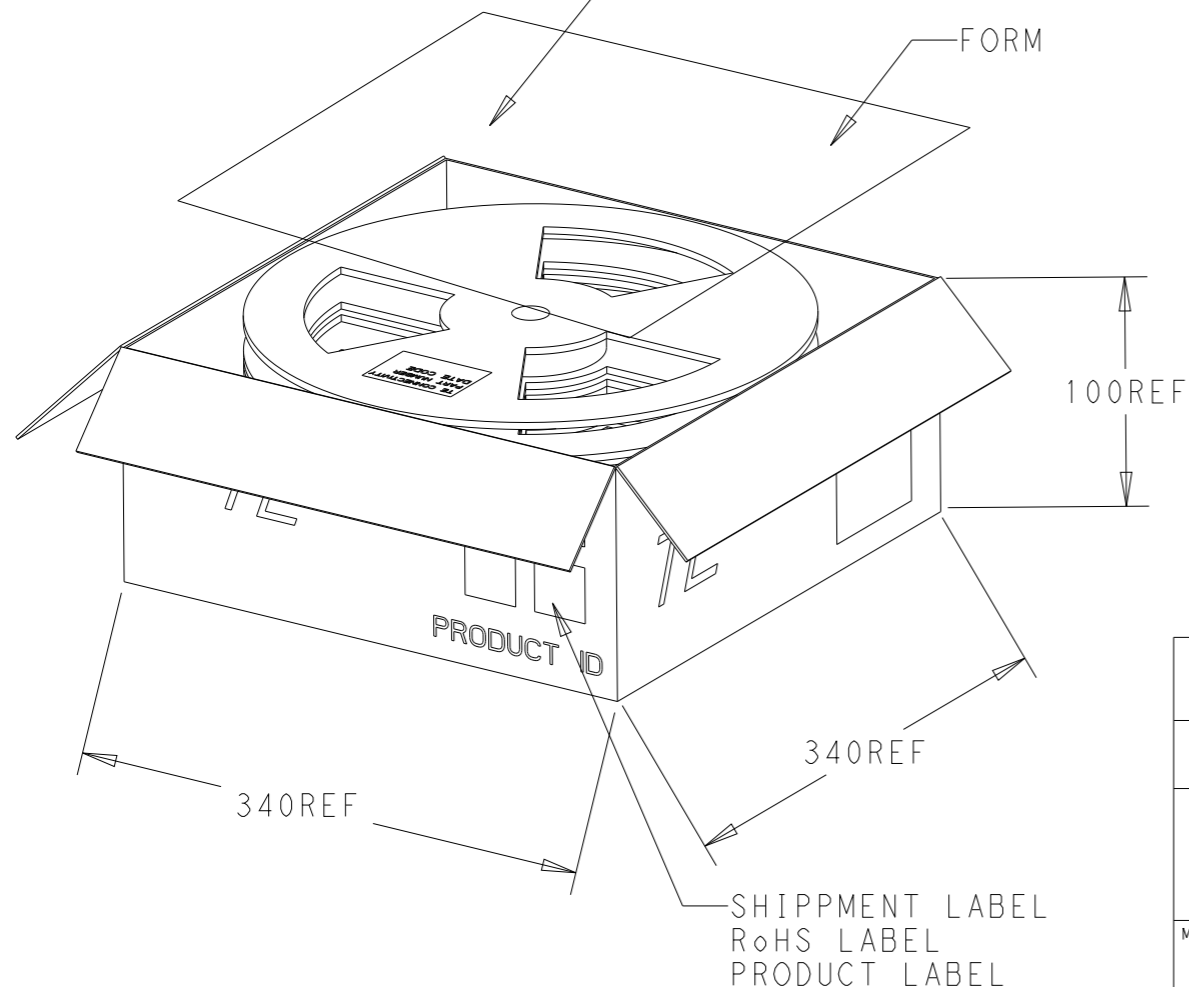
REVISIONS

P	LTR	DESCRIPTION	DATE	DWN	APVD
-	-	SEE SHEET 1	-	-	-

NOTE  
 10000 PCS / REEL  
 6 REEL / BOX  
 60000 PCS / BOX  
 REEL DIM : 330mm  
 MATERIAL : PS 0.3mm



TRIANGULAR CARDBOARD  
4PLC



➔ USER DIRECTION OF UNREELING

THIS DRAWING IS A CONTROLLED DOCUMENT.		DWN H. TAMURA	17MAY2018		
DIMENSIONS: mm		CHK -	APVD -		
		TOLERANCES UNLESS OTHERWISE SPECIFIED: 0 PLC ± 1 PLC ± 2 PLC ± 3 PLC ± 4 PLC ± ANGLES ±3° FINISH -		NAME UMCC MICRO-COAX RECEPTACLE GEN 4 COMPATIBLE WITH MHF4	
MATERIAL TBD		PRODUCT SPEC -		APPLICATION SPEC - WEIGHT - SIZE A3 CAGE CODE 00779 DRAWING NO C-2334884 RESTRICTED TO -	
CUSTOMER DRAWING				SCALE NTS	SHEET 2 OF 2
				REV A11	