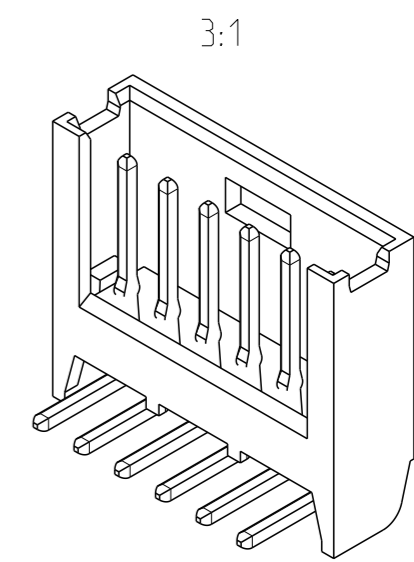
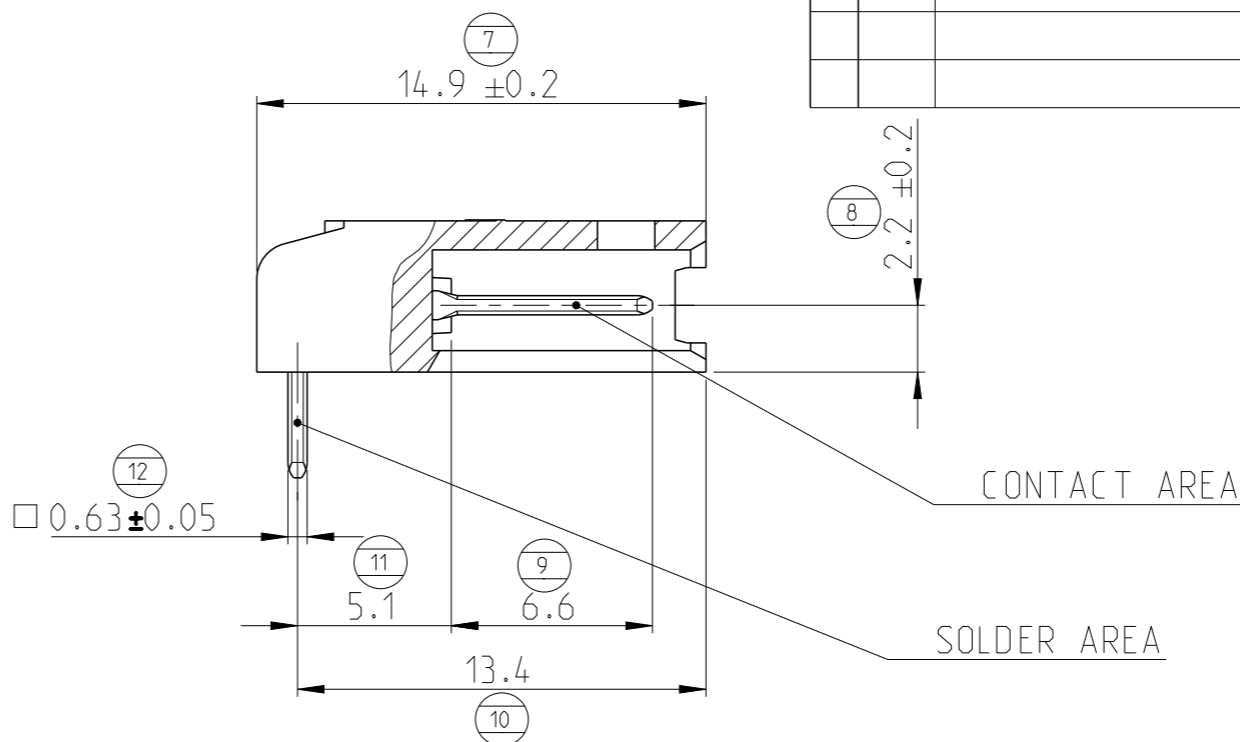
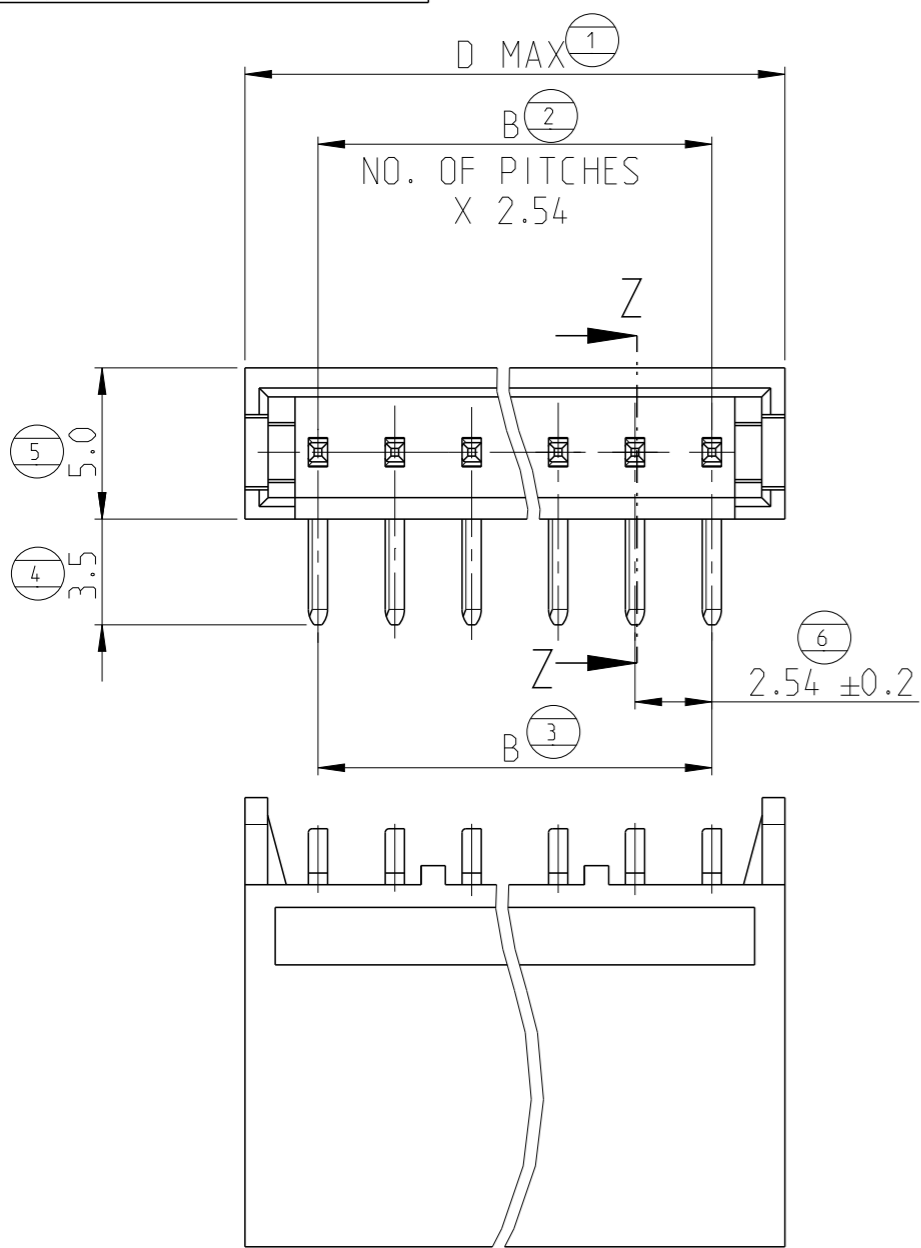


P	LTR	DESCRIPTION	DATE	DWN	APVD
T		REDRAWN, PLASTIC SUPPLIER CHANGED	28MAY2021	SB	KJK
U		PLATING CHANGED FROM BRIGHT TO MATTE TIN	06DEC2023	SP	KJK



PARTIAL SEC. Z-Z

- NOTES:
- ① FINISH: 3-5 μm TIN OVER MIN 1.27 μm NICKEL
  - ② FINISH: DUPLEX PLATED MIN 0.38 μm GOLD IN CONTACT AREA AND 2.5 μm TIN IN SOLDER AREA, OVER MIN 1.27 μm NICKEL.
  - ③ FINISH: DUPLEX PLATED MIN 0.76 μm GOLD IN CONTACT AREA AND 2.5 μm TIN IN SOLDER AREA, OVER MIN 1.27 μm NICKEL.
  - ④ MATERIALS:  
-HOUSINGS: FLAME RETARDANT THERMOPLASTIC, UL94V0, COLOR BLACK.  
-TIN AND GOLD PLATED CONTACTS: BRASS
  - ⑤ OBSOLETE  
6 RECOMMENDED PCB HOLES DIA: 1.1<sup>+0</sup><sub>-0.2</sub>; 0.75 MIN. ADMITTED FOR 2 POS. ONLY

58.5	53.34	⑤ <del>280383-3</del>	280383-2	280383-1	22
40.7	35.56	⑤ <del>280382-3</del>	280382-2	280382-1	15
33.1	27.94	⑤ <del>280523-3</del>	280523-2	280523-1	12
28.0	22.86	280381-3	280381-2	280381-1	10
25.4	20.32	⑤ <del>280511-3</del>	⑤ <del>280511-2</del>	280511-1	9
22.9	17.78	280380-3	280380-2	280380-1	8
17.8	12.70	280379-3	280379-2	280379-1	6
12.7	7.62	280378-3	280378-2	280378-1	4
7.7	2.54	280377-3	280377-2	280377-1	2
D	B	③ PART NUMBER	② PART NUMBER	① PART NUMBER	NO. POS.

THIS DRAWING IS A CONTROLLED DOCUMENT.		DWN G. CAMPIA 12FEB1990	TE Connectivity		
DIMENSIONS: mm		CHK -			
TOLERANCES UNLESS OTHERWISE SPECIFIED: ±0.3		APVD -	NAME AMPMODU II SHROUDED HEADER SINGLE ROW, RIGHT ANGLE POST		
0 PLC ± 1 PLC ± 2 PLC ± 3 PLC ± 4 PLC ± ANGLES ±2° FINISH -		PRODUCT SPEC 108-20025	RESTRICTED TO		
MATERIAL ④		APPLICATION SPEC -	SIZE A3	CAGE CODE 00779	DRAWING NO C-280377
		WEIGHT -	SCALE 4:1	SHEET 1 OF 1	REV U
CUSTOMER DRAWING					