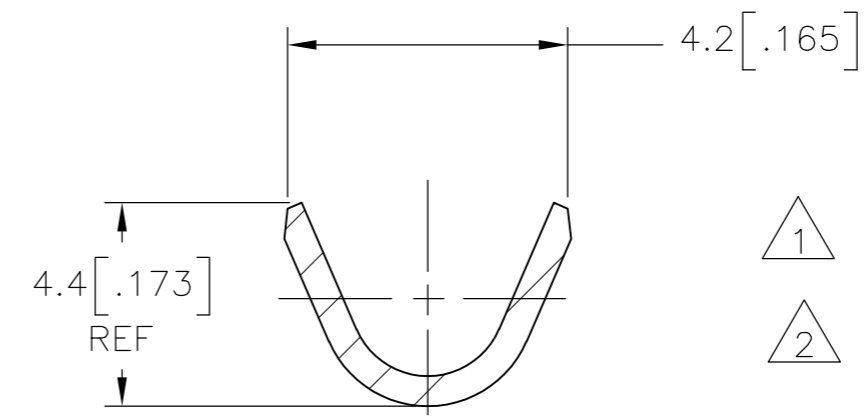
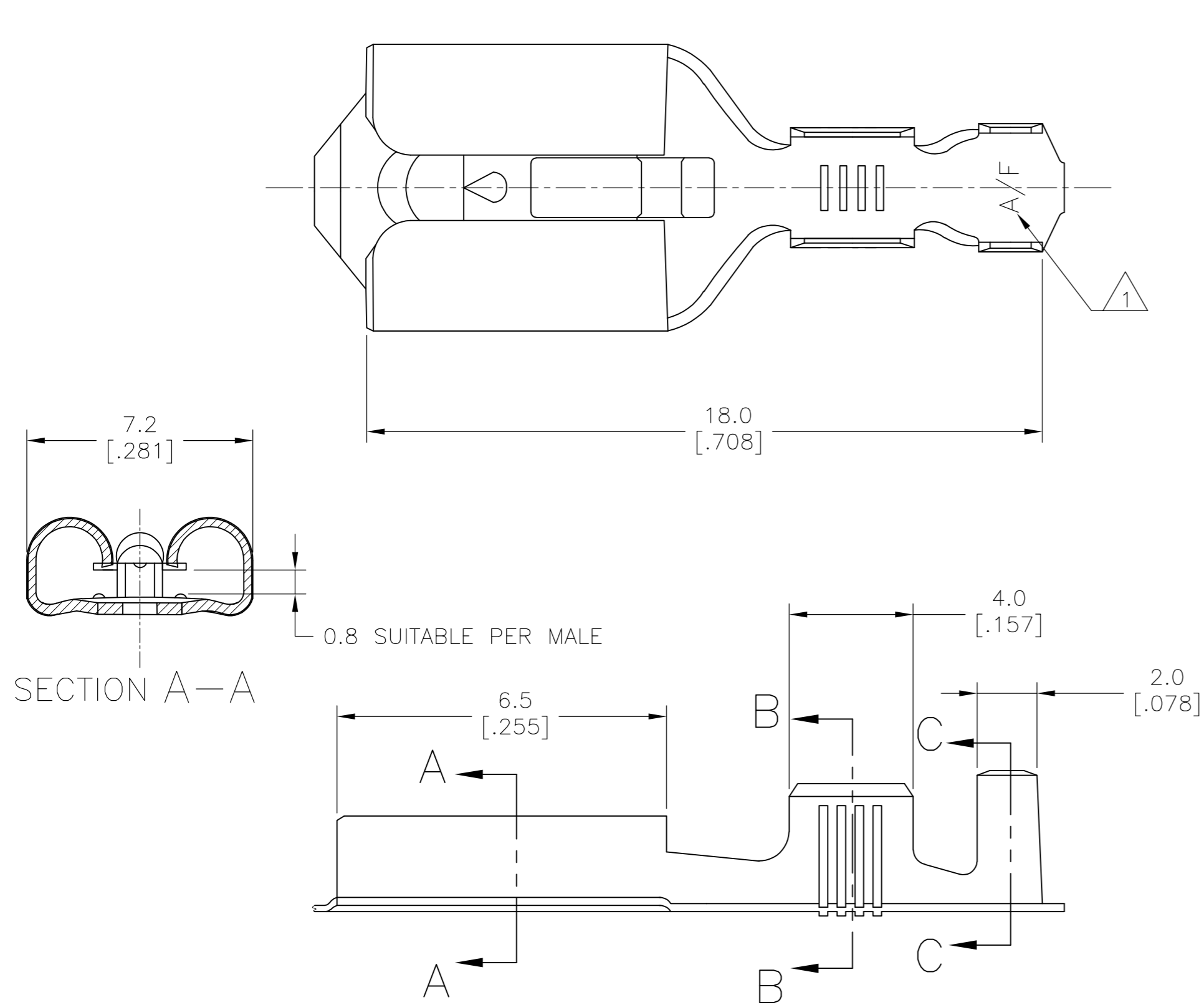


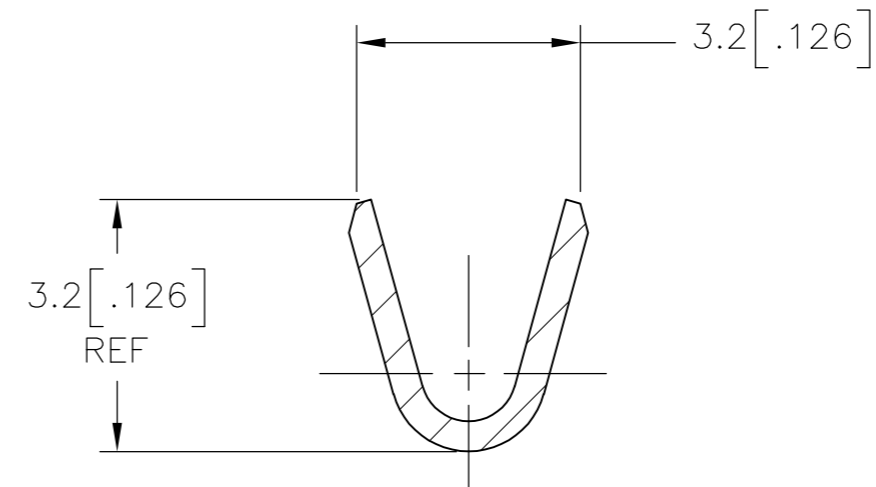
THIS DRAWING IS UNPUBLISHED. RELEASED FOR PUBLICATION
 © COPYRIGHT - By - ALL RIGHTS RESERVED.

REVISIONS				
P	LTR	DESCRIPTION	DATE	APVD
A		NEW DRAWING	29NOV2016	RS TD



SECTION C-C

- 1 TRADE MARK: A/F AS SHOWN, CLEAR AND LEGIBLE.
- 2 OBSOLETE PARTS



SECTION B-B

OBSOLETE	2-702764-5	BRONZE PHOSPHOROUS	281436-1
	2-702774-7	BRASS TINNED	281384-2
	2-702774-7	BRASS	281384-1
	STOCK NO.	MATERIAL	PART NUMBER

THIS DRAWING IS A CONTROLLED DOCUMENT.		DWN 29NOV2016 RAVI S	TE TE Connectivity	
DIMENSIONS: mm [INCHES]		CHK 29NOV2016 LI DAISY		
TOLERANCES UNLESS OTHERWISE SPECIFIED:		APVD 29NOV2016 DING TIM	NAME FEMALE CRIMPED CONTACT FOR 5MM PITCH	
0 PLC ± -		PRODUCT SPEC	SIZE CAGE CODE DRAWING NO RESTRICTED TO	
1 PLC ± -		APPLICATION SPEC	A2 00779 C=281384	
2 PLC ± 0.40[.015]		WEIGHT	SCALE 1:1 SHEET 1 of 1 REV A	
3 PLC ± 0.40[.015]		CUSTOMER DRAWING		
4 PLC ± -				
ANGLES ± 1'30"				
FINISH SEE TABLE				

WIRE RANGE	mm ²	INS. RANGE	mm
0.5-1.5	mm ²	ø2.2-3.35	mm
			[.086-.129]