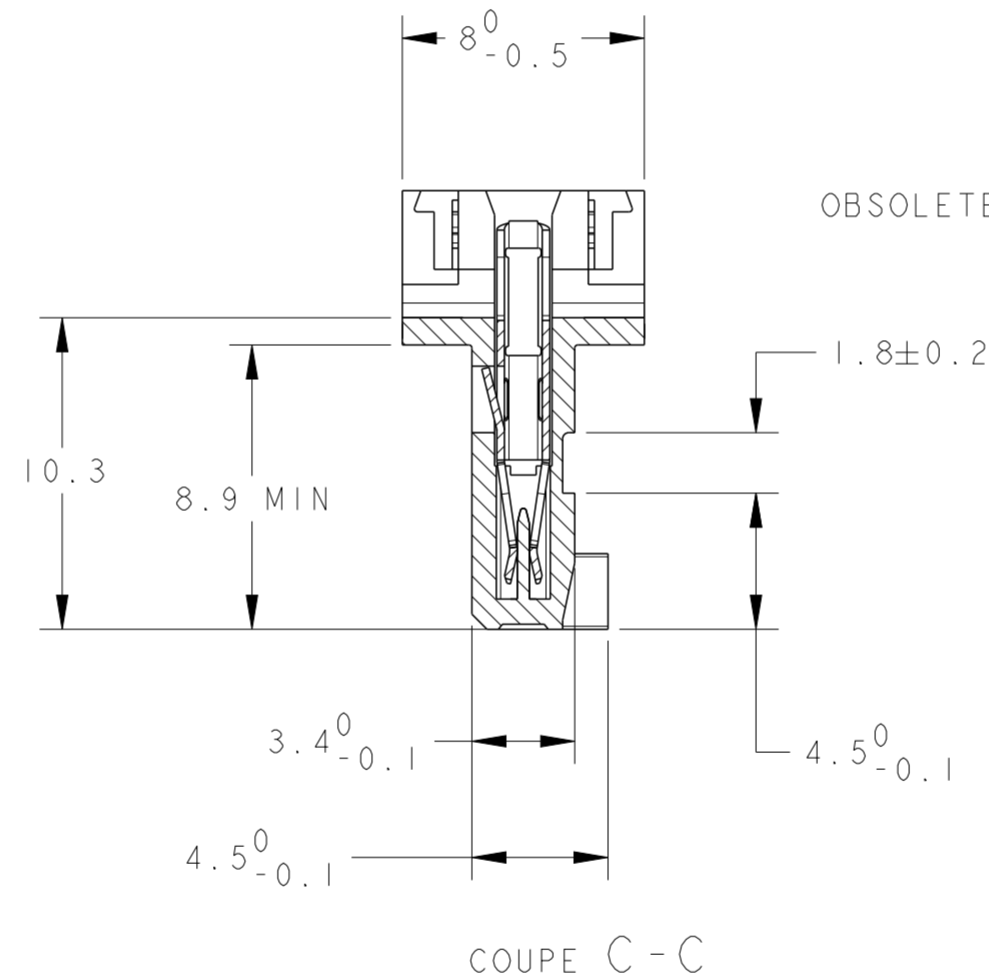
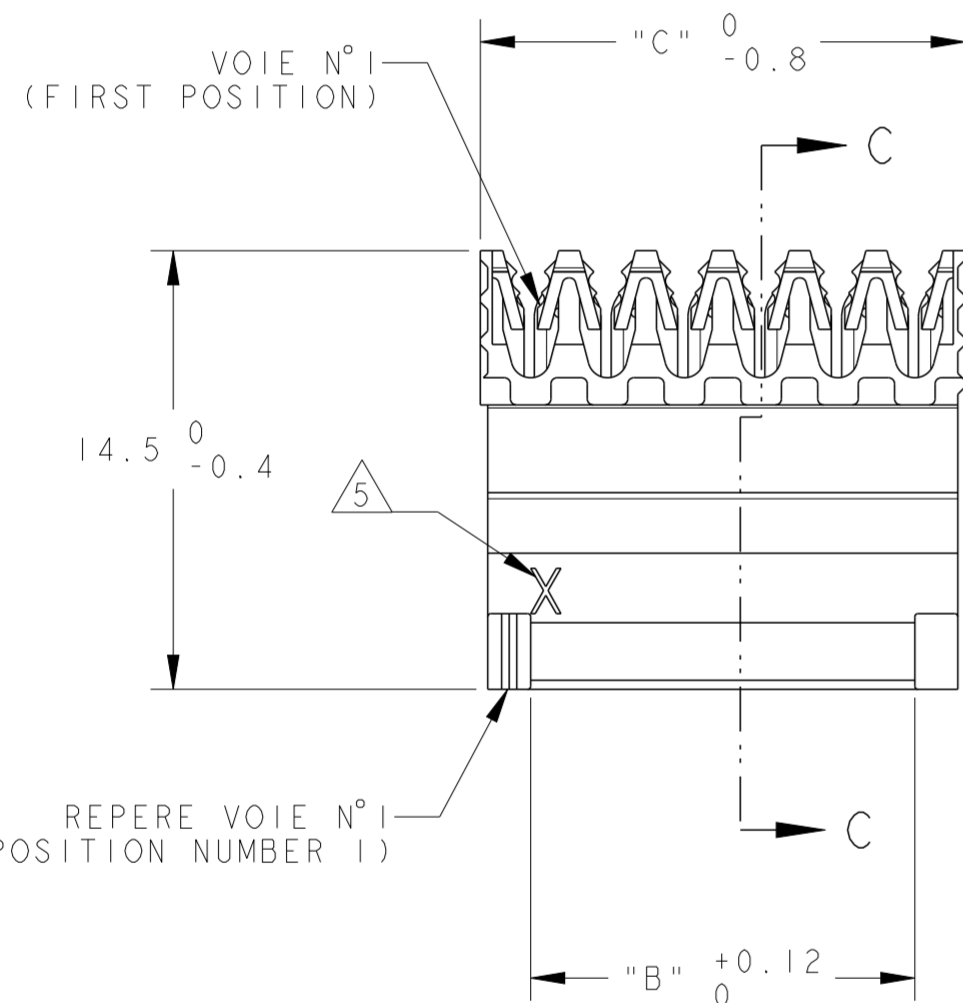
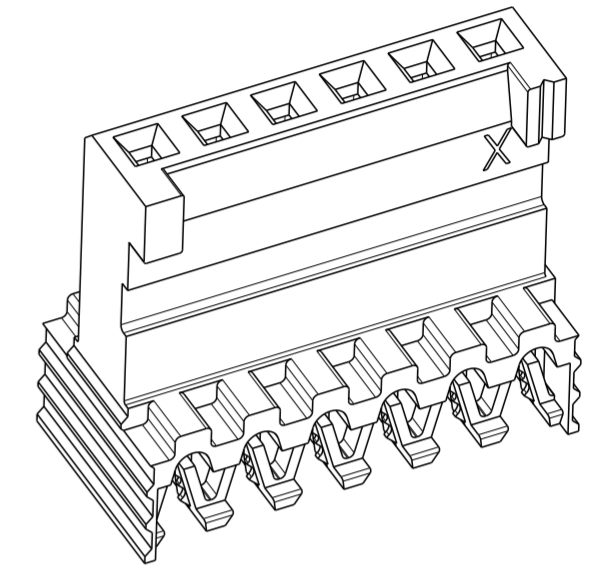
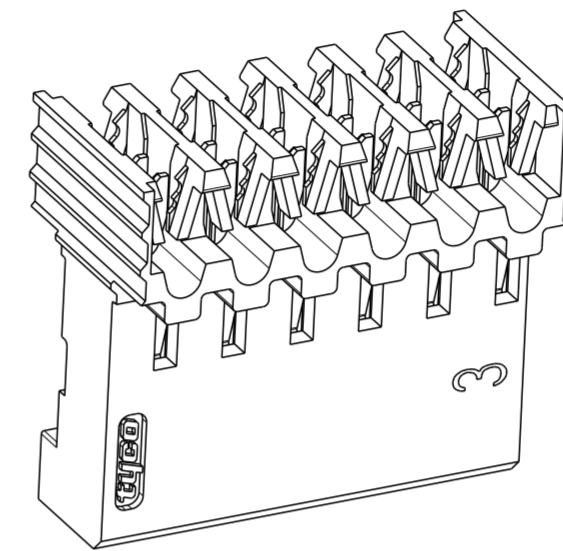
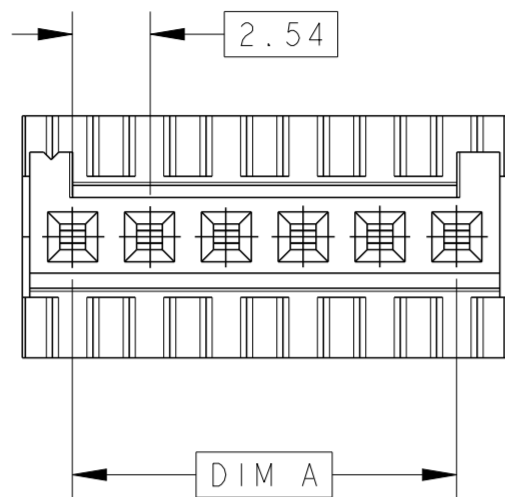


FILS ADMISSIBLES (ACCEPTABLE WIRES)

JAUGE (AWG) SECTION / 7 BRINS (7 STRANDS)	26 0.12mm ²
ISOLANT: Ø MAX / MATIERE (INSUL.: Ø MAX / MAT'L)	Ø 1 / PVC

REVISIONS

P	LTR	DESCRIPTION	DATE	DWN	APVD
B4		DRAWING REACTIVATED	21JUN2022	MP	JK
B5		281711 BASE PINS ARE DISCONTINUED	13OCT2023	SP	JK



OBSOLETE

AWG	Length (mm)	Length (mm)	Pin No.	Part No.	Part No.
9	64.30	60.96	25	2-281711-5	2-144271-5
9	61.76	58.42	24	2-281711-4	2-144271-4
10	59.22	55.88	23	2-281711-3	2-144271-3
10	56.68	53.34	22	2-281711-2	2-144271-2
10	54.14	50.80	21	2-281711-1	2-144271-1
11	51.60	48.26	20	2-281711-0	2-144271-0
12	49.06	45.72	19	1-281711-9	1-144271-9
12	46.52	43.18	18	1-281711-8	1-144271-8
13	43.98	40.64	17	1-281711-7	1-144271-7
14	41.44	38.10	16	1-281711-6	1-144271-6
15	38.90	35.56	15	1-281711-5	1-144271-5
16	36.36	33.02	14	1-281711-4	1-144271-4
17	33.82	30.48	13	1-281711-3	1-144271-3
18	31.28	27.94	12	1-281711-2	1-144271-2
20	28.74	25.40	11	1-281711-1	1-144271-1
20	26.20	22.86	10	1-281711-0	1-144271-0
25	23.66	20.32	9	0-281711-9	0-144271-9
25	21.12	17.78	8	0-281711-8	0-144271-8
30	18.58	15.24	7	0-281711-7	0-144271-7
35	16.04	12.70	6	0-281711-6	0-144271-6
40	13.50	10.16	5	0-281711-5	0-144271-5
OBSOLETE	50	10.96	4	0-281711-4	0-144271-4
70	8.42	5.08	3	0-281711-3	0-144271-3
OBSOLETE	100	5.88	2	0-281711-2	0-144271-2

- 1 CES CONNECTEURS SONT PREVUS POUR ETRE ACCOUPLES AVEC LES EMBASES 'HE1402' SIMPLE RANGEE
- 2 LES REFERENCES SUIVIES D'UN ' * ' SONT LES VERSIONS NORMALISEES SELON LA 'CEI 603-8'
- 3 REVETEMENT DES CONTACTS: ETAIN SANS PLOMB
- 4 CONNECTEURS CONDITIONNES SOUS TUBE PVC
- 5 ' X ' EST REMPLACE PAR LE DEUXIEME CHIFFRE DES JAUGES AWG
- 6 MATIERES - BOITIER: PBT UL94V0 - CONTACTS: BRONZE PHOSPHOREUX

- (THESE CONNECTEURS ARE DESIGNED TO BE MATED WITH 'HE1402' HEADERS SINGLE ROW)
- (THE PART-NO FOLLOWED BY ' * ' ARE COVERED BY THE INTERNATIONAL STANDARD 'IEC 603-8')
- (THE CONTACTS ARE TIN PLATED LEAD FREE)
- (THESE CONNECTEURS ARE PACKAGED IN TUBE)
- (' X ' REPLACED BY THE SECOND DIGIT OF AWG AS DEFINED IN TABLE)
- (MATERIALS - CASE: PBT UL94V0 - CONTACTS: PHOSPHOR BRONZE)

THIS DRAWING IS A CONTROLLED DOCUMENT.

DIMENSIONS: mm	TOLERANCES UNLESS OTHERWISE SPECIFIED:	DWN: C. COMBEDOUZON	CHK: T. CORRIOU	APVD: Y. PETRONIN	NAME: HE 1402 PLUG 90deg IDC SINGLE ROW
0 PLC ±0.3	1 PLC ±0.3	2 PLC ±0.3	3 PLC ±0.3	4 PLC ±0.3	SIZE: 108-15053
ANGLES ±5°	FINISH	APPLICATION SPEC: 114-15030	WEIGHT: -	CAGE CODE: A200779	DRAWING NO: C-281711
MATERIAL: 6	FINISH: 3	CUSTOMER DRAWING	SCALE: 4:1	SHEET: 1 OF 1	REV: B5

TE Connectivity