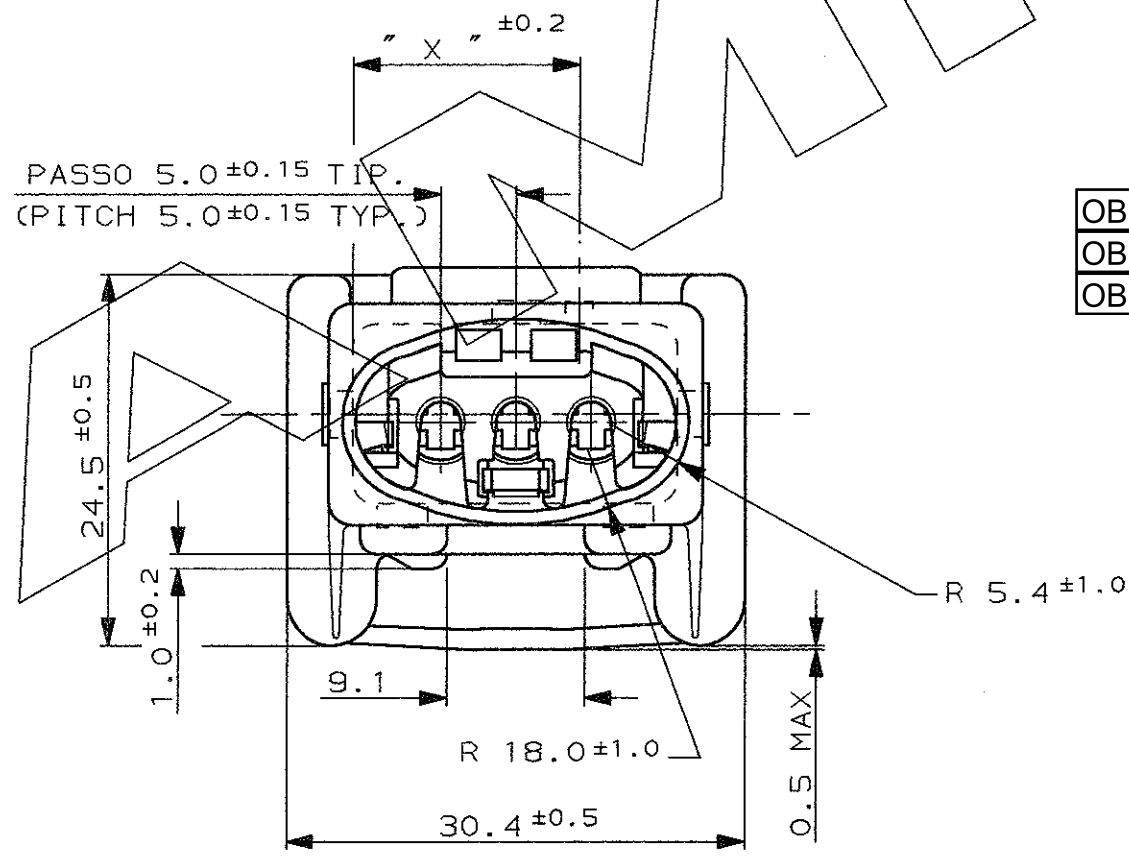
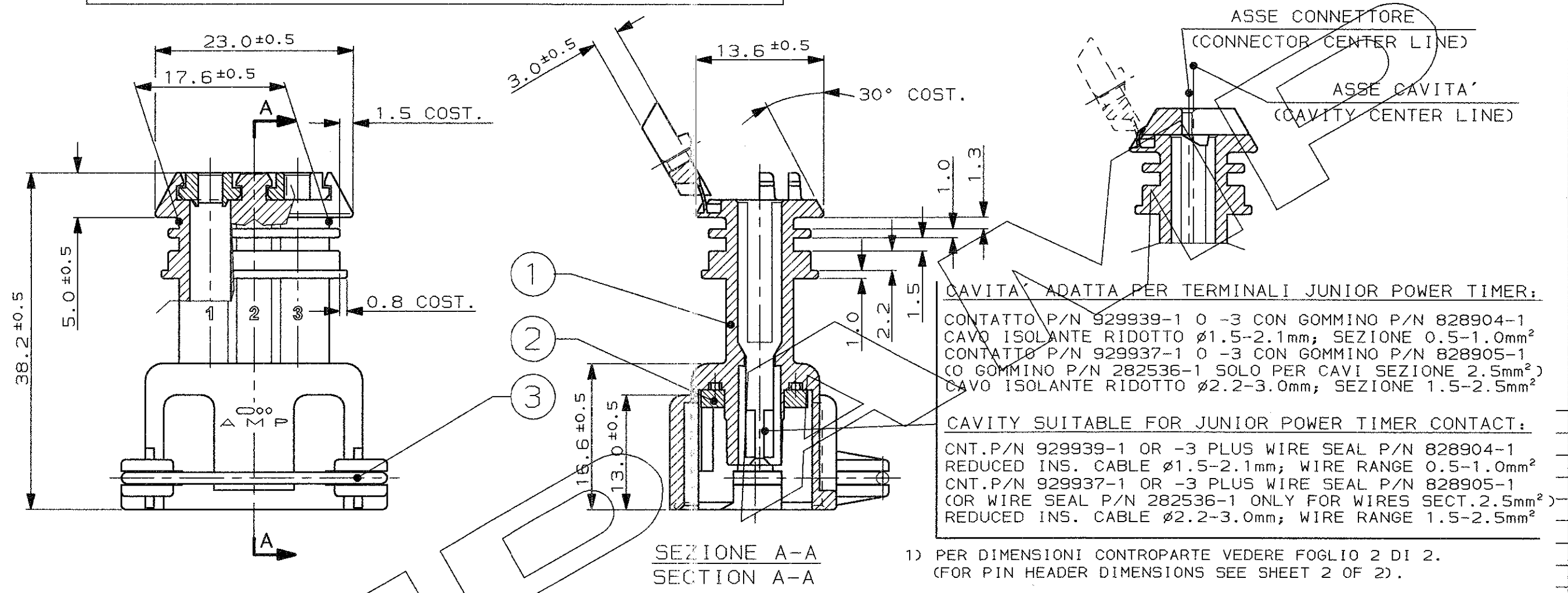


CONNETTORE TIPO A (CON MOLLA DI RITEGNO ESTERNA)
CONNECTOR TYPE A (WITH EXTERNAL SPRING)

SCALA NON IMPEGNATIVA (DO NOT SCALE)
DIMENSIONI IN mm (DIMENSIONS IN mm) METRIC PROIEZIONE EUROPEA (EUROPEAN PROJECTION)



N° (ITEM)	FINITURA / COLORE (FINISH / COLOUR)	MATERIALE (MATERIAL)	DESCRIZIONE (DESCRIPTION)
3	//////	ACCIAIO INOX (STAINLESS STEEL)	MOLLA (SPRING)
2	NATURALE (NATURAL)	GOMMA (SILICONE RUBBER)	GUARNIZIONE (RUBBER GASKET)
1	//////	PA 6.6	BLOCCHETTO (HOUSING)
" X "	COLORE (COLOR)	NUMERO AMP PART. N°	ASSY REV.
15.1	NATURALE (NATURAL)	282800-1	
13.3	BLU (BLUE)	282689-1	
4.9	MARRONE (BROWN)	282688-1	
6.7	VERDE (GREEN)	282687-1	
8.5	GRIGIO (GREY)	282686-1	
D1	REVISED PER ECO-20-003218	A	AP 13MAY 2020
D	ECR-14-003472		MP 24MAR 2014
C	REVISED FOR ET00-0385-99		M.P. 7-4 01
B	IN PRODUZIONE P/N 282800-1 (RELEASED FOR PRODUCTION P/N 282800-1) EC ET00-0285-96		A.F. 9 JUL '96
A1	AGGIUNTO PN 282800-1 (ADDED PN. 282800-1) EC ET00-0175-96		A.F. 1 APR '96
A	IN PRODUZIONE (RELEASED FOR PRODUCTION) EC ET00-0205-95		M.P. 2 NOV '95
2	AGGIORNATO PROFILO MOLLA (REVISED SPRING PROFILE)		M.P. 5-5 '95
1	P/Ns WERE 94-51164-1 TO -4 CANCELLED P/N 94-51164-5		M.P. 23-12 '94
0	FIRST ISSUE		M.P. 25-11 '94
D2	REVISED PER ECN-22-144343	A	AP 18MAR 2022

CUSTOMER DWG. FOR REFERENCE ONLY		DISEGNO PER CLIENTE SOLO PER RIFERIMENTO	
THIS DRAWING IS UNPUBLISHED		RELEASE FOR PUBLICATION	
© COPYRIGHT 19 BY AMP INCORPORATED, HARRISBURG, PA. ALL INTERNATIONAL RIGHT RESERVED. AMP PRODUCTS MAY BE COVERED BY U.S. AND FOREIGN PATENT AND/OR PATENT PENDING			
TOLLERANZE, SE NON DIVERSAMENTE SPECIFICATO	DIAM. ISOLANTE (INS. DIA. RANGE)	RANGO FILO (WIRE RANGE)	SCALA (SCALE)
(TOLERANCES, UNLESS OTHERWISE SPECIFIED)	1.5-3.0 (REDUCED INS. CABLE)	0.5-2.5 mm ²	***
± 0.3	TE Connectivity		
ANGOLI (ANGLES) ± 2°			
DIS. 25 NOV. '94 (DR.) M. PALMA	DESCRIZIONE (DESCRIPTION)		
CONT. 25 NOV. '94 (CHK) C. TARTARI	3 WAY J.P.T. SPLASH PROOF CONN. ASS'Y WITH SECONDARY LOCK		
APP. (APP.)	LOC. (LOC.)	SIZE (SIZE)	NUMERO (DWG NO)
	I	A3	C-282686
			(MASTER)
			REV. (REV.)
			D2
			FOGLIO (SHEET)
			1 DI (OF) 2

DISTRIBUZIONE (PRINT DIST.)

