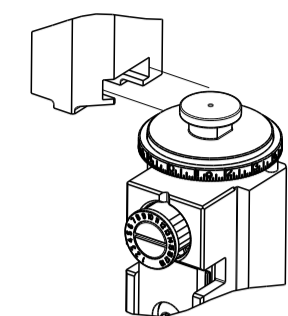


PART NUMBER	REVISION	DESCRIPTION	FEED TYPE
2836129-2	L	FINE CRIMP HEIGHT ADJUST	PNEUMATIC
7-2836129-2	L	PNEUMATIC AND CRIMP TOOLING KIT	PNEUMATIC
7-2836129-7	F	CRIMP TOOLING KIT	-

ATLANTIC VERSION TERMINATOR INTERFACE ADAPTER

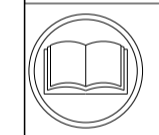


APPLICATOR DATA		
CRIMP	SIZE	TYPE
WIRE	0.84 mm [.033]	F
INSUL	1.40 mm [.055]	O

APPLICATOR INSTRUCTIONS 408-35042

TERMINAL DATA: TE TERMINAL		TE CRIMP SPECIFICATION	
TERMINAL NAME: CONTACT, CRIMP SNAP-IN AMPMODU SHORT POINT			
WIRE STRIP LENGTH 3.18-3.96 mm [.125-.156 IN]		INSULATION DIAMETER RANGE Ø 0.64-1.52 mm [.025-.060 IN]	
TERMINAL APPLICATION SPECIFICATION	114-25038	-	-
TERMINALS APPLIED			
TE TERMINAL	TE TERMINAL	TE TERMINAL	TE TERMINAL
104481-2	104481-3	104481-4	1-104481-0
1-104481-1	5-104481-2		

WIRE SIZE	CRIMP HEIGHT mm [INCH]	CRIMP HEIGHT REFERENCE SETTING
28 AWG	0.66 +/- 0.05 [.026 +/- .002]	6.5
30 AWG	0.61 +/- 0.05 [.024 +/- .002]	7.2
32 AWG	0.61 +/- 0.05 [.024 +/- .002]	7.0



- RECOMMENDED SPARE PARTS
 - REFER TO SUPPLIED INSTRUCTION SHEET FOR CLEANING, LUBRICATION AND STORAGE OF APPLICATOR.
 - APPLY PART NUMBER 2-23419-6 LOCTITE TO THREADS OF ITEM 242.
 - CRIMP HEIGHT REFERENCE SETTING WAS THE SETTING USED WHEN THE APPLICATOR WAS QUALIFIED AT THE FACTORY. ADJUSTMENT MAY BE NECESSARY WHEN RUNNING APPLICATOR IN THE FIELD.
 - TERMINAL PITCH NOT COMPATIBLE WITH MECHANICAL FEED.
 - TERMINAL LUBRICANT IS RECOMMENDED.
 - FLIP LUBRICANT MOUNTING BRACKET.
8. UNLESS SPECIFIED OTHERWISE TORQUE VALUES SHALL BE USED PER DOCUMENT, 101-35000.

***WARNING**
 ON INSTALLATION, SET WIRE DISC TO CRIMP HEIGHT REFERENCE SETTING FOR LARGEST WIRE SIZE. CRIMP HEIGHT REFERENCE SETTINGS GREATER THAN THE VALUE SHOWN MAY CAUSE DAMAGE TO THE CRIMP TOOLING. REFER TO THE INSTRUCTION SHEET FOR PROPER SETUP AND ADJUSTMENTS.

LOC	DIST	REVISIONS					
A	66	P	LTN	DESCRIPTION	DATE	DWN	APVD
		H		ECR-18-014359	11SEP2018	MS	CT
		J		ECR-19-005937	12APR2019	FJH	TE
		K		ECR-20-002505	20FEB2020	JAH	GB
		L		ECR-23-184793	22AUG2023	JWC	TE

-	1	1	2280441-1	INSERT, SHEAR	282		
-	1	1	2119641-1	FEED CAM, AIR FEED	248		
-	1	1	2119082-8	CAM, SNAIL, INSULATION ADJUSTMENT	244		
-	1	1	2079764-1	WASHER, WAVE SPRING, CREST-TO-CREST	243		
	-	1	1	2119083-1	RETAINER, INSULATION DIAL	242	
-	2	2	7-18023-7	SCR, SKT HD CAP M3 X 4.0	241		
-	1	1	2844940-1	AIR FEED MODULE	238		
-	1	1	1-356885-4	STOP, SHEAR	237		
-	REF	REF	994970-2	COUNTER, MAGNETIC	164		
-	1	1	1-22281-8	SPRING, COMPRESSION	121		
		-	1	1	2119955-1	ASSY, LUBRICATOR, SIDE FEED	113
-	1	1	2844908-1	SCREW, LOCKING	99		
-	1	1	2844907-1	POST, LOCKING	98		
-	1	1	690438-1	FRONT STRIP GUIDE	96		
-	1	1	2168083-6	SCR, SKT HD CAP, RoHS, M5 X 65	93		
-	1	1	455888-6	SPACER, CRIMPER	82		
-	1	1	1803607-3	DOCUMENTATION PACKAGE	71		
-	1	1	2119740-1	TAG, IDENTIFICATION	67		
-	2	2	2168078-1	SCREW, DRIVE, RH, RoHS, 2 x .188	66		
-	2	2	2-18032-5	SCR, SET, FLT PNT, M5 X 20.0	61		
-	1	1	2168083-2	SCR, SKT HD CAP, RoHS, M4 X 8.0	60		
-	1	1	5-18022-5	SCR, HEX HD CAP, M4 X 6.0	59		
-	1	1	1338683-1	FEED PAWL	56		
-	4	4	2168083-3	SCR, SKT HD CAP, RoHS, M4 X 12.0	54		
-	2	2	2168083-8	SCR, SKT HD CAP, RoHS, M4 X 16	53		
-	1	1	18023-9	SCR, SKT HD CAP M4 X 6.0	49		
-	1	1	1803583-9	APPLICATOR BASIC ASSEMBLY, SF	46		
-	1	1	1803515-1	RAM ASSEMBLY, SF ATLANTIC	44		
-	1	1	1803602-1	SCR, BHSC, RoHS (M8 X 25)	41		
-	4	4	2079383-2	SCR, BHSC, RoHS (M3 X 10)	33		
-	1	1	2305692-1	PLATE, REAR STRIP GUIDE	29		
-	1	1	455888-3	SPACER, CRIMPER	28		
-	2	2	22283-1	SPRING, COMPRESSION	27		
-	1	1	356835-1	LEVER, DRAG RELEASE	26		
-	1	1	240792-1	DRAG, TERMINAL	25		
-	1	1	189124-7	GUIDE, FRONT STRIP	24		
-	1	1	980371-4	SCR, SKT HD SHLDR 5.0 DIA X 6.0	23		
-	1	1	2168083-2	SCR, SKT HD CAP, RoHS, M4 X 8.0	21		
-	3	3	1-18028-2	WASHER, FLAT, REG M4	20		
-	1	1	2119533-1	STRIPPER, SIDE FEED	19		
-	1	1	2-690518-4	HOLD DOWN, TERMINAL	18		
-	1	1	690463-1	FLOATING SHEAR, REAR	17		
-	2	2	1-2168083-1	SCR, SKT HD CAP, RoHS, M3 X 6	16		
-	1	1	1-690691-1	PLATE, REAR SHEAR	15		
-	1	1	2119862-1	SHEAR HOLDER, REAR	14		
	-	1	1	2119806-1	INSERT, SHEAR	13	
-	2	2	3-22280-3	SPRING, COMPRESSION	12		
-	1	1	1-356885-4	STOP, SHEAR	11		
		-	1	1	2119805-1	SHEAR HOLDER, FRONT	10
		-	1	1	1803095-3	FLOATING SHEAR, FRONT	9
		1	2	1	3-1633621-4	ANVIL, COMBINATION	8
-	1	1	5-240641-2	SPACER	7		
-	1	1	690468-1	DEPRESSOR SHEAR, REAR	6		
-	1	1	1-2119757-8	DEPRESSOR, SHEAR	5		
-	1	1	238011-7	BLOCK, CRIMPER SPACER	4		
	1	2	1	1-1803019-8	CRIMPER, INSULATION O	3	
-	1	1	455888-4	SPACER, CRIMPER	2		
	1	2	1	4-1803224-4	CRIMPER, WIRE	1	

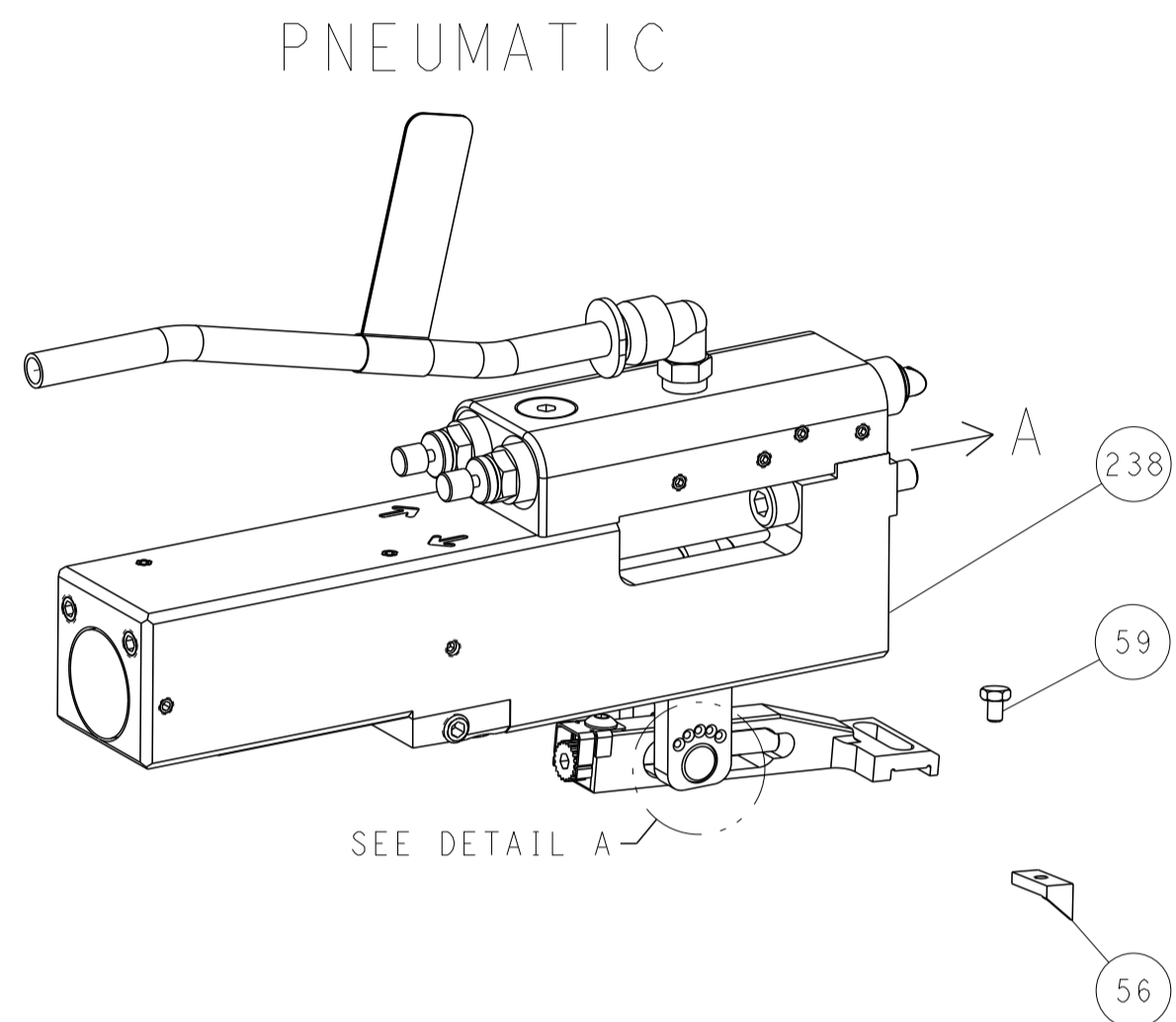
ATLANTIC VERSION
 Shown on sheets 1 of 4 & 2 of 4
 (Pacific version shown on sheets 3 of 4 & 4 of 4)

DIMENSIONS:		TOLERANCES UNLESS OTHERWISE SPECIFIED:		MATERIAL:		FINISH:	
mm	0 PLC ±	1 PLC ±	2 PLC ±	3 PLC ±	4 PLC ±	ANGLES ±	

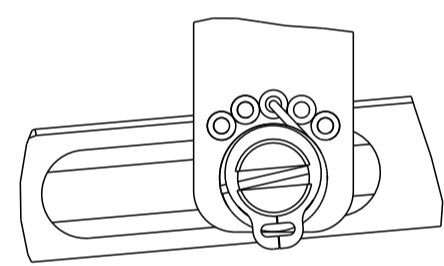
OWN	D. WEAVER	17DEC2015	CHK	G. BAILEY	17DEC2015	APVD	G. BAILEY	17DEC2015	
NAME				Ocean Side Feed Applicator					
SIZE	CAGE CODE	DRAWING NO	RESTRICTED TO						
A1	00779	2836129							
Customer Accessible Production Drawing				SCALE	1:2	SHEET	1 OF 4	REV	L

LOC	DIST	REVISIONS					
		P	LTN	DESCRIPTION	DATE	OWN	APVD
A	66	-	-	SEE SHEET 1	-	-	-

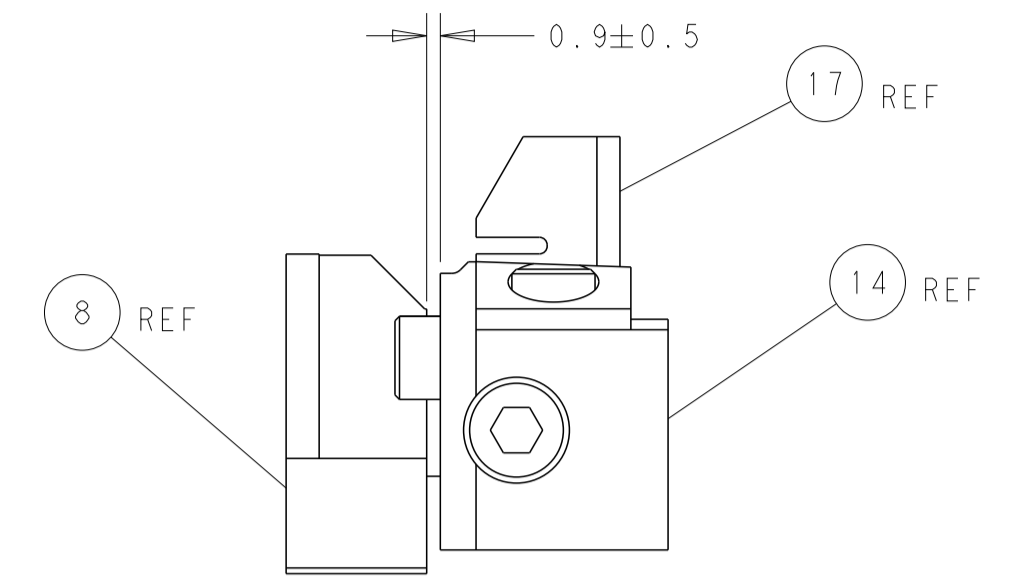
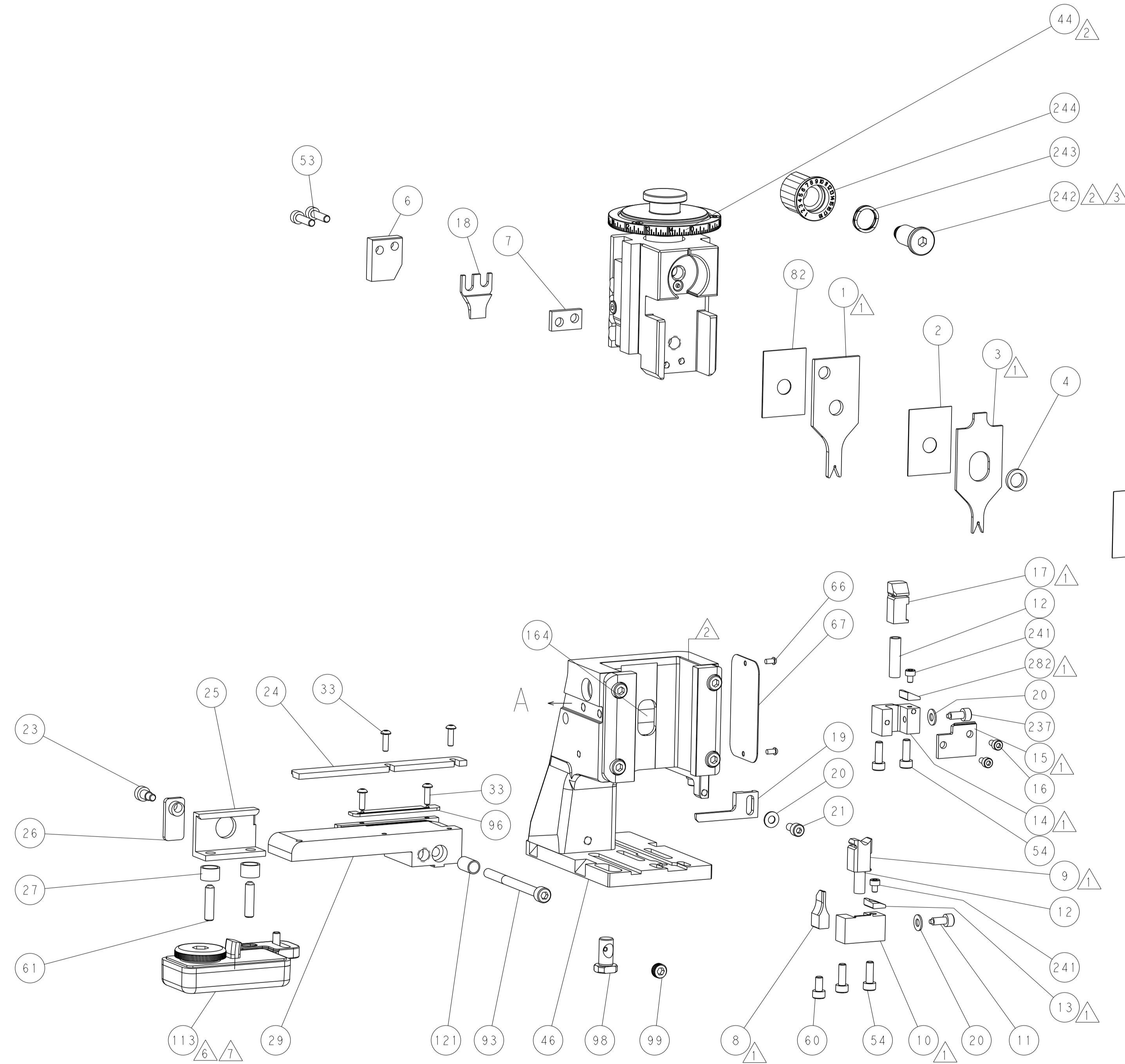
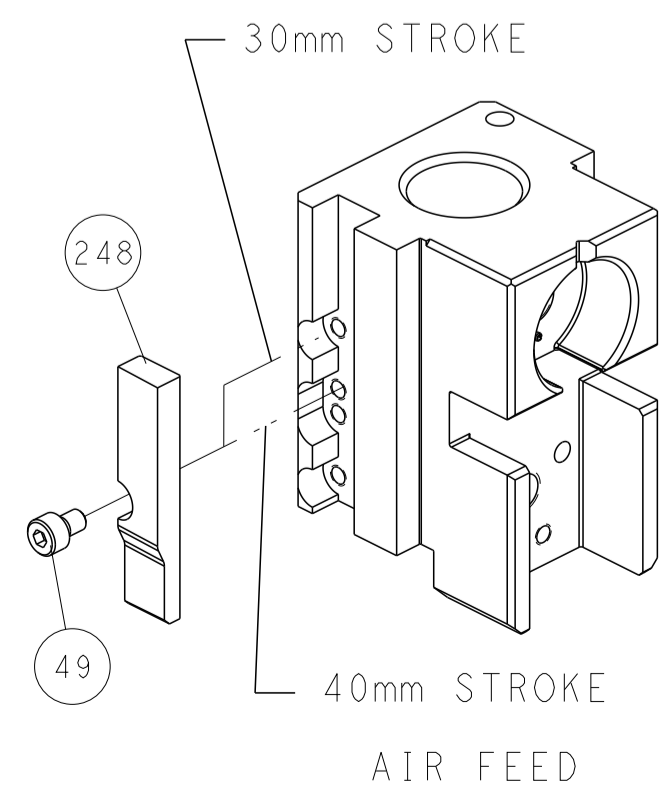
FEED TYPE



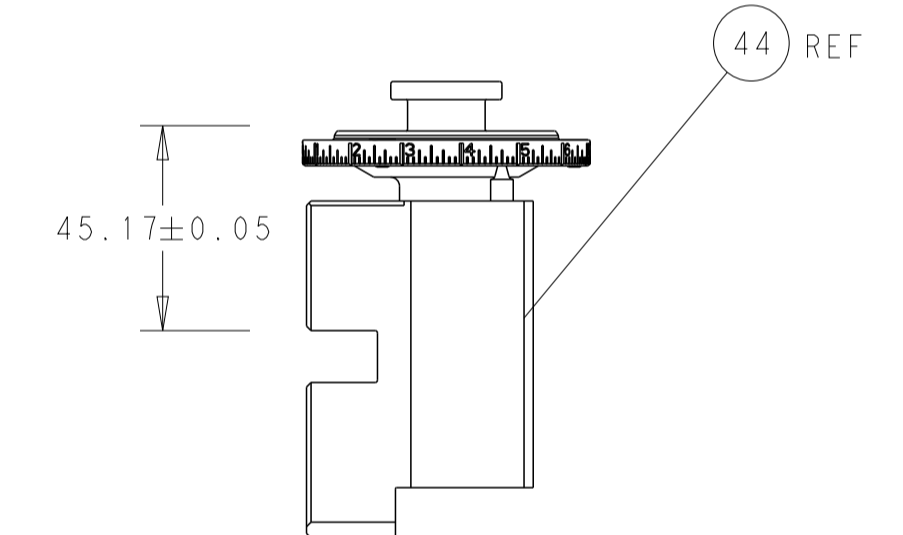
FEED SPRING SETTING POSITION
(SHOWN FROM REAR SIDE)



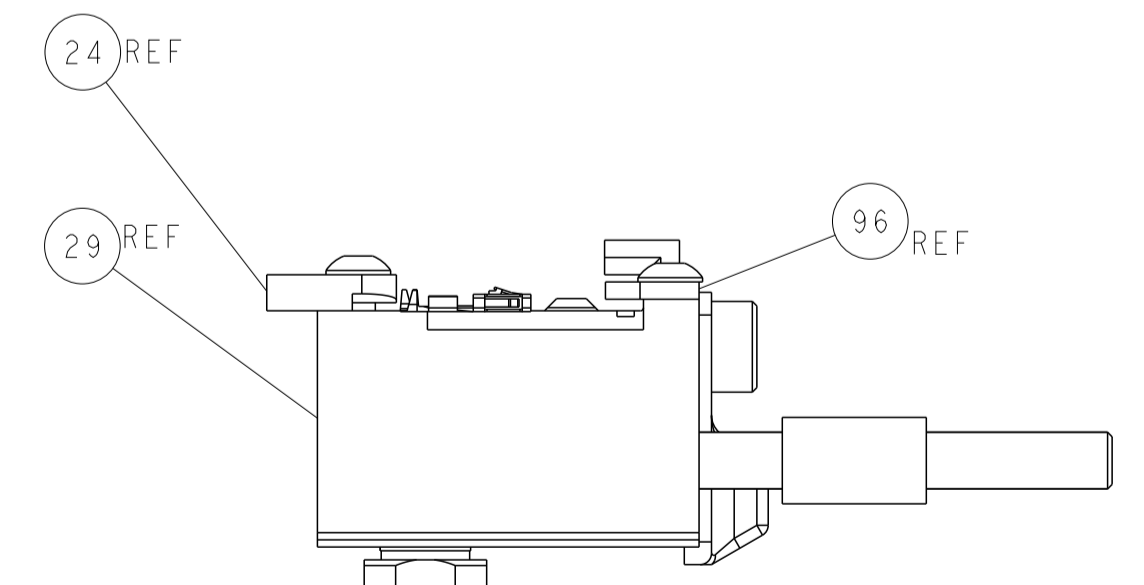
CAM POSITIONS



REAR FLOATING SHEAR



RAM SET-UP



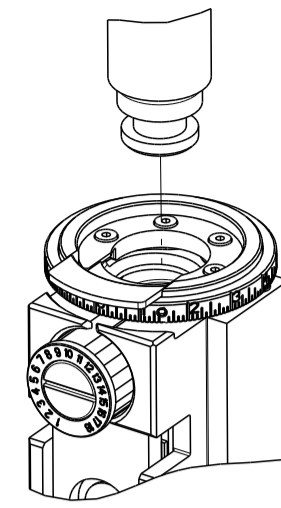
FEED TRACK POSITION

ATLANTIC VERSION
 Shown on sheets 1 of 4 & 2 of 4
 (Pacific version shown on sheets 3 of 4 & 4 of 4)

<small>THIS DRAWING IS UNPUBLISHED. RELEASED FOR PUBLICATION. ALL RIGHTS RESERVED. THIS DRAWING IS CONTROLLED DOCUMENT. THIS ELECTRONIC CORPORATION IS THE PROPERTY OF THE COMPANY AND THE INFORMATION CONTAINED HEREIN IS UNCLASSIFIED INFORMATION. SHOULD BE CONTROLLED FOR THE LATEST VERSION.</small>		DWN B. WEAVER 17DEC2015 CHK G. BAILEY 17DEC2015 APVD G. BAILEY 17DEC2015	TE Connectivity Harrisburg, PA 17105-3608
DIMENSIONS: mm TOLERANCES UNLESS OTHERWISE SPECIFIED: 0 PLC ± 1 PLC ± 2 PLC ± 3 PLC ± 4 PLC ± ANGLES ± MATERIAL: - FINISH: -		NAME: Ocean Side Feed Applicator APPLICATION SPEC: - SIZE: A1 CAGE CODE: 00779 DRAWING NO: C=2836129 WEIGHT: - SCALE: 1:2	RESTRICTED TO: - SHEET 2 OF 4 REV L
CUSTOMER ACCESSIBLE PRODUCTION DRAWING		SHEETS 3 & 4 ARE NOT REQUIRED FOR ATLANTIC VERSION	

THIS DRAWING IS UNPUBLISHED.	RELEASED FOR PUBLICATION		
COPYRIGHT 20 BY TYCO ELECTRONICS CORPORATION. ALL RIGHTS RESERVED.			
PART NUMBER	REVISION	DESCRIPTION	FEED TYPE
2-2836129-2	L	FINE CRIMP HEIGHT ADJUST	PNEUMATIC
7-2836129-7	F	CRIMP TOOLING KIT	-

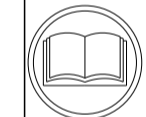
PACIFIC VERSION TERMINATOR
INTERFACE ADAPTER



APPLICATOR DATA		
CRIMP	SIZE	TYPE
WIRE	0.84 mm [.033]	F
INSUL	1.40 mm [.055]	O
APPLICATOR INSTRUCTIONS 408-35042		

TERMINAL DATA:	TE TERMINAL	TE CRIMP SPECIFICATION
TERMINAL NAME:	CONTACT, CRIMP	SNAP-IN AMPMODU SHORT POINT
WIRE STRIP LENGTH	INSULATION DIAMETER RANGE	
3.18-3.96 mm [1.25-.156 IN]	Ø 0.64-1.52 mm [1.025-.060 IN]	
TERMINAL APPLICATION SPECIFICATION	114-25038	
TERMINALS APPLIED	6/7	
TE TERMINAL	TE TERMINAL	TE TERMINAL
104481-2	104481-3	104481-4
1-104481-1	5-104481-2	

WIRE SIZE	CRIMP HEIGHT mm [INCH]	CRIMP HEIGHT REFERENCE SETTING
28 AWG	0.66+/-0.05 [1.026+/-0.002]	6.5
30 AWG	0.61+/-0.05 [1.024+/-0.002]	7.2
32 AWG	0.61+/-0.05 [1.024+/-0.002]	7.0



- RECOMMENDED SPARE PARTS
- REFER TO SUPPLIED INSTRUCTION SHEET FOR CLEANING, LUBRICATION AND STORAGE OF APPLICATOR.
- APPLY PART NUMBER 2-23419-6 LOCTITE TO THREADS OF ITEM 242.
- CRIMP HEIGHT REFERENCE SETTING WAS THE SETTING USED WHEN THE APPLICATOR WAS QUALIFIED AT THE FACTORY. ADJUSTMENT MAY BE NECESSARY WHEN RUNNING APPLICATOR IN THE FIELD.
- TERMINAL PITCH NOT COMPATIBLE WITH MECHANICAL FEED.
- TERMINAL LUBRICANT IS RECOMMENDED.
- FLIP LUBRICANT MOUNTING BRACKET.
- UNLESS SPECIFIED OTHERWISE TORQUE VALUES SHALL BE USED PER DOCUMENT, 101-35000.

***WARNING**
ON INSTALLATION, SET WIRE DISC TO CRIMP HEIGHT REFERENCE SETTING FOR LARGEST WIRE SIZE. CRIMP HEIGHT REFERENCE SETTINGS GREATER THAN THE VALUE SHOWN MAY CAUSE DAMAGE TO THE CRIMP TOOLING. REFER TO THE INSTRUCTION SHEET FOR PROPER SETUP AND ADJUSTMENTS.

PACIFIC VERSION
Shown on sheets 3 of 4 & 4 of 4
(Atlantic version shown on sheets 1 of 4 & 2 of 4)

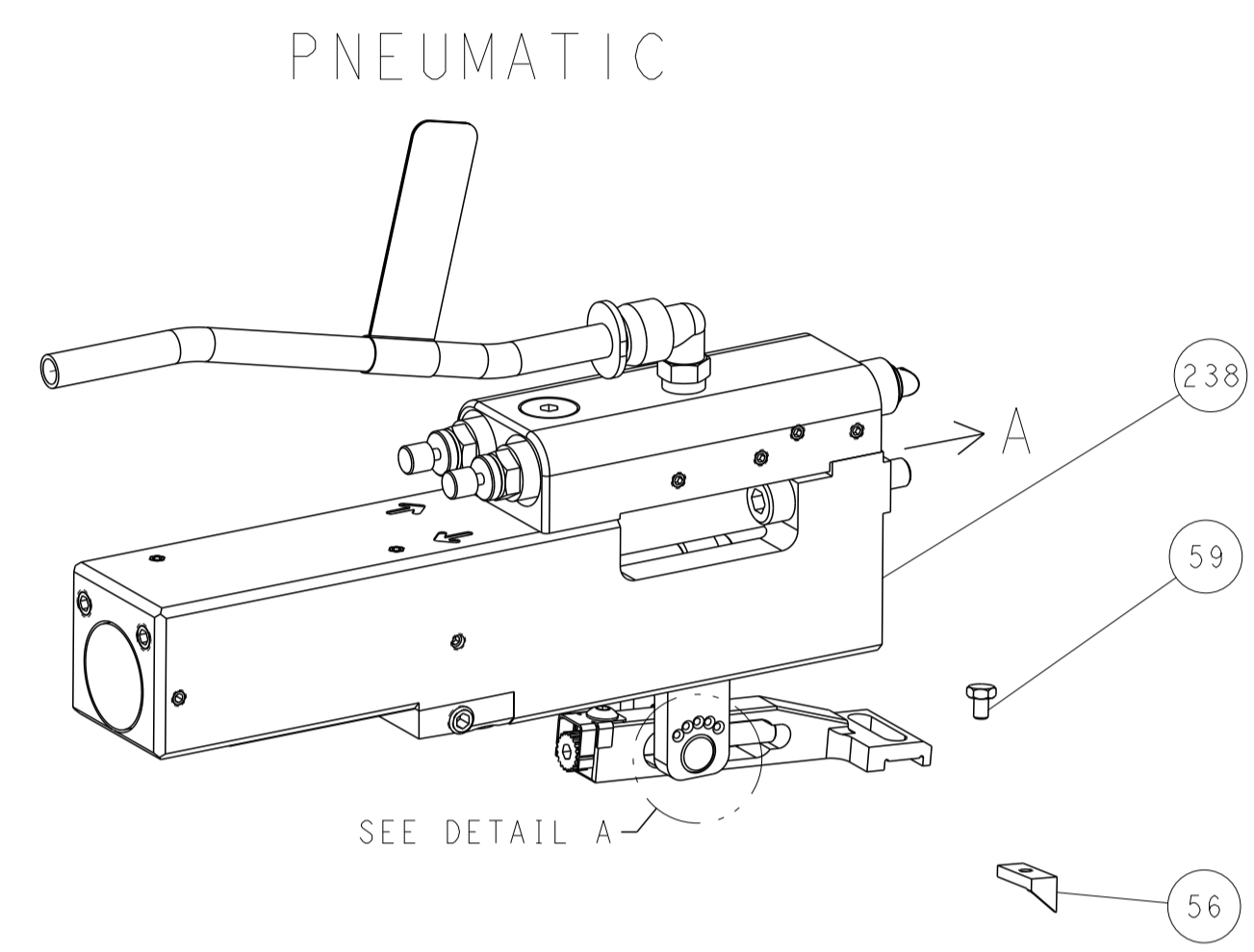
LOC	DIST	REVISIONS					
A	66	P	LTN	DESCRIPTION	DATE	OWN	APVD
		-		SEE SHEET 1			

-	1	2280441-1	INSERT, SHEAR	282
-	1	2119082-8	CAM, SNAIL, INSULATION ADJUSTMENT	244
-	1	2079764-1	WASHER, WAVE SPRING, CREST-TO-CREST	243
-	1	2119083-1	RETAINER, INSULATION DIAL	242
-	2	7-18023-7	SCR, SKT HD CAP M3 X 4.0	241
-	1	2844940-1	AIR FEED MODULE	238
-	1	1-356885-4	STOP, SHEAR	237
-	REF	994970-2	COUNTER, MAGNETIC	164
-	1	2119641-2	FEED CAM, AIR FEED	151
-	1	2168083-8	SCR, SKT HD CAP, RoHS, M4 X 16	144
-	4	2168083-9	SCR, SKT HD CAP, RoHS, M4 X 20	143
-	1	1-1803583-0	APPLICATOR BASIC ASSEMBLY, SF	141
-	1	1803516-1	RAM ASSEMBLY, SF PACIFIC	140
-	1	1-22281-8	SPRING, COMPRESSION	121
-	1	2119955-1	ASSY, LUBRICATOR, SIDE FEED	113
-	1	2844908-1	SCREW, LOCKING	99
-	1	2844907-1	POST, LOCKING	98
-	1	690438-1	FRONT STRIP GUIDE	96
-	1	2168083-6	SCR, SKT HD CAP, RoHS, M5 X 65	93
-	1	455888-6	SPACER, CRIMPER	82
-	1	1803607-3	DOCUMENTATION PACKAGE	71
-	1	2119740-1	TAG, IDENTIFICATION	67
-	2	2168078-1	SCREW, DRIVE, RH, RoHS, 2 x .188	66
-	2	2-18032-5	SCR, SET, FLT PNT, M5 X 20.0	61
-	1	5-18022-5	SCR, HEX HD CAP, M4 X 6.0	59
-	1	1338683-1	FEED PAWL	56
-	2	2168083-8	SCR, SKT HD CAP, RoHS, M4 X 16	53
-	1	18023-9	SCR, SKT HD CAP M4 X 6.0	49
-	1	1803602-1	SCR, BHSC, RoHS (M8 X 25)	41
-	4	2079383-2	SCR, BHSC, RoHS (M3 X 10)	33
-	1	2305692-1	PLATE, REAR STRIP GUIDE	29
-	1	455888-3	SPACER, CRIMPER	28
-	2	22283-1	SPRING, COMPRESSION	27
-	1	356835-1	LEVER, DRAG RELEASE	26
-	1	240792-1	DRAG, TERMINAL	25
-	1	189124-7	GUIDE, FRONT STRIP	24
-	1	980371-4	SCR, SKT HD SHLDR 5.0 DIA X 6.0	23
-	1	2168083-2	SCR, SKT HD CAP, RoHS, M4 X 8.0	21
-	3	1-18028-2	WASHER, FLAT, REG M4	20
-	1	2119533-1	STRIPPER, SIDE FEED	19
-	1	2-690518-4	HOLD DOWN, TERMINAL	18
-	1	690463-1	FLOATING SHEAR, REAR	17
-	2	1-2168083-1	SCR, SKT HD CAP, RoHS, M3 X 6	16
-	1	1-690691-1	PLATE, REAR SHEAR	15
-	1	2119862-1	SHEAR HOLDER, REAR	14
-	1	2119806-1	INSERT, SHEAR	13
-	2	3-22280-3	SPRING, COMPRESSION	12
-	1	1-356885-4	STOP, SHEAR	11
-	1	2119805-1	SHEAR HOLDER, FRONT	10
-	1	1803095-3	FLOATING SHEAR, FRONT	9
-	1	3-1633621-4	ANVIL, COMBINATION	8
-	1	5-240641-2	SPACER	7
-	1	690468-1	DEPRESSOR SHEAR, REAR	6
-	1	1-2119757-8	DEPRESSOR, SHEAR	5
-	1	238011-7	BLOCK, CRIMPER SPACER	4
-	1	1-1803019-8	CRIMPER, INSULATION O	3
-	1	455888-4	SPACER, CRIMPER	2
-	1	4-1803224-4	CRIMPER, WIRE	1

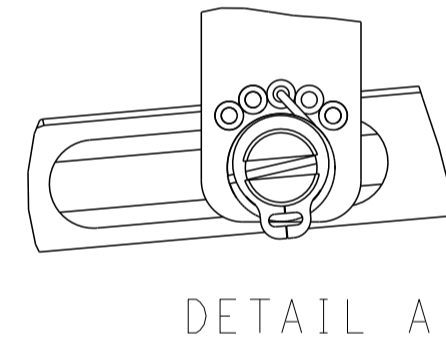
DIMENSIONS:		TOLERANCES UNLESS OTHERWISE SPECIFIED:		DWG: B. WEAVER 17DEC2015		CHK: G. BAILEY 17DEC2015		APVD: G. BAILEY 17DEC2015		NAME: Ocean Side Feed Applicator	
mm	0 PLC ±	1 PLC ±	2 PLC ±	3 PLC ±	4 PLC ±	ANGLES ±	FINISH	SIZE: A1	CAGE CODE: 00779	DRAWING NO: C=2836129	RESTRICTED TO: -
MATERIAL: -								WEIGHT: -		Customer Accessible Production Drawing	
								SCALE: 1:2		SHEET 3 OF 4	

LOC		DIST		REVISIONS			
A	66	P	LTM	DESCRIPTION	DATE	OWN	APVD
		-	-	SEE SHEET 1	-	-	-

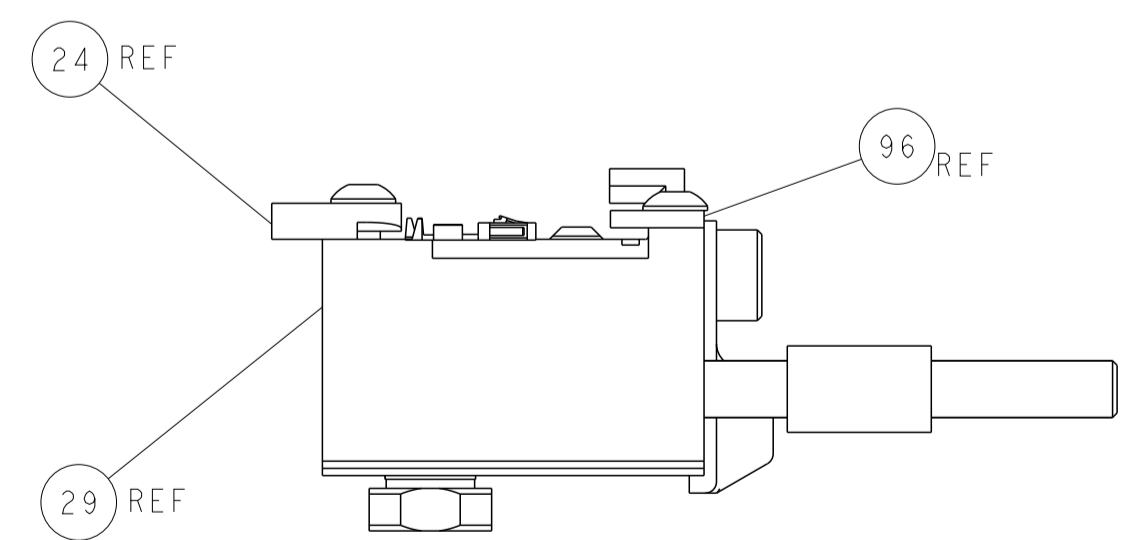
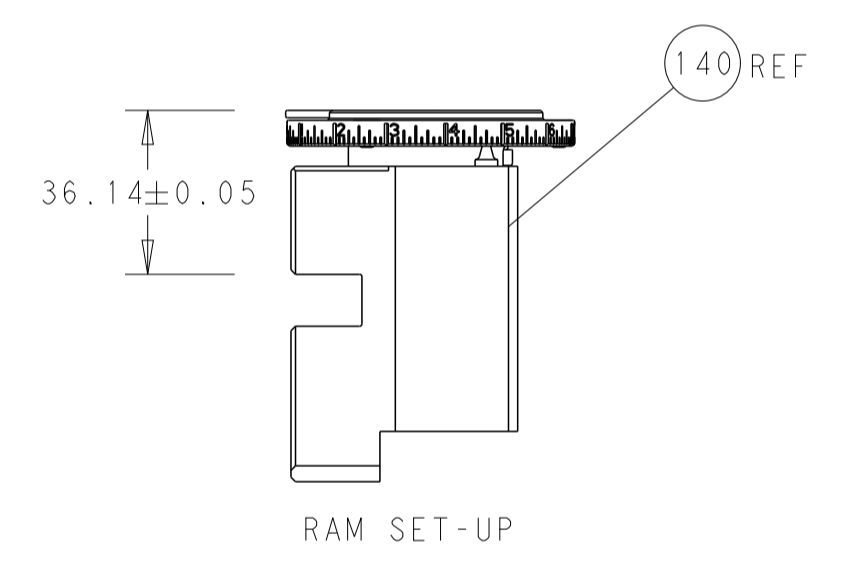
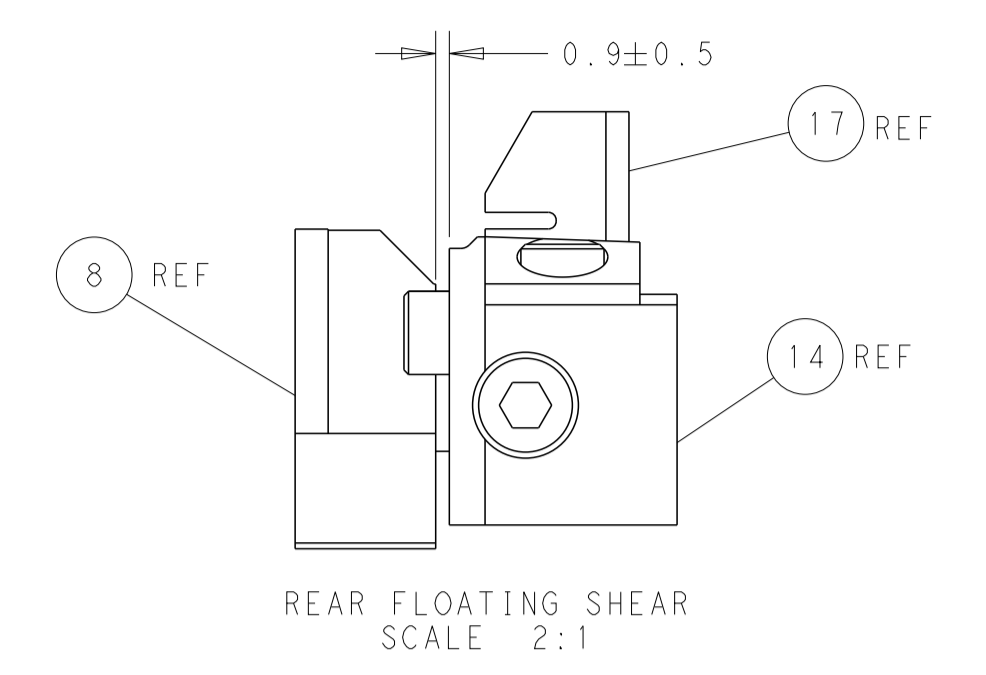
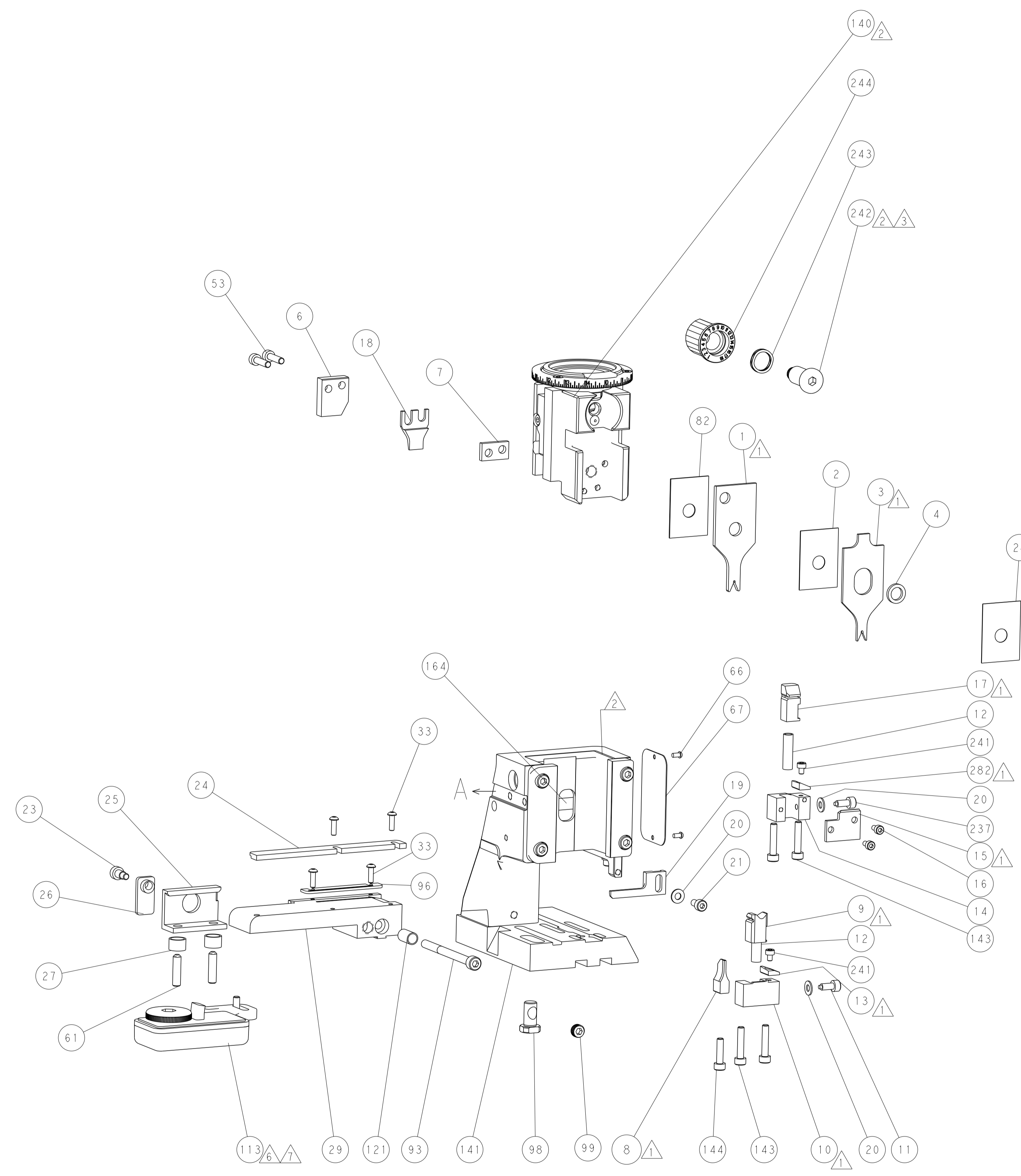
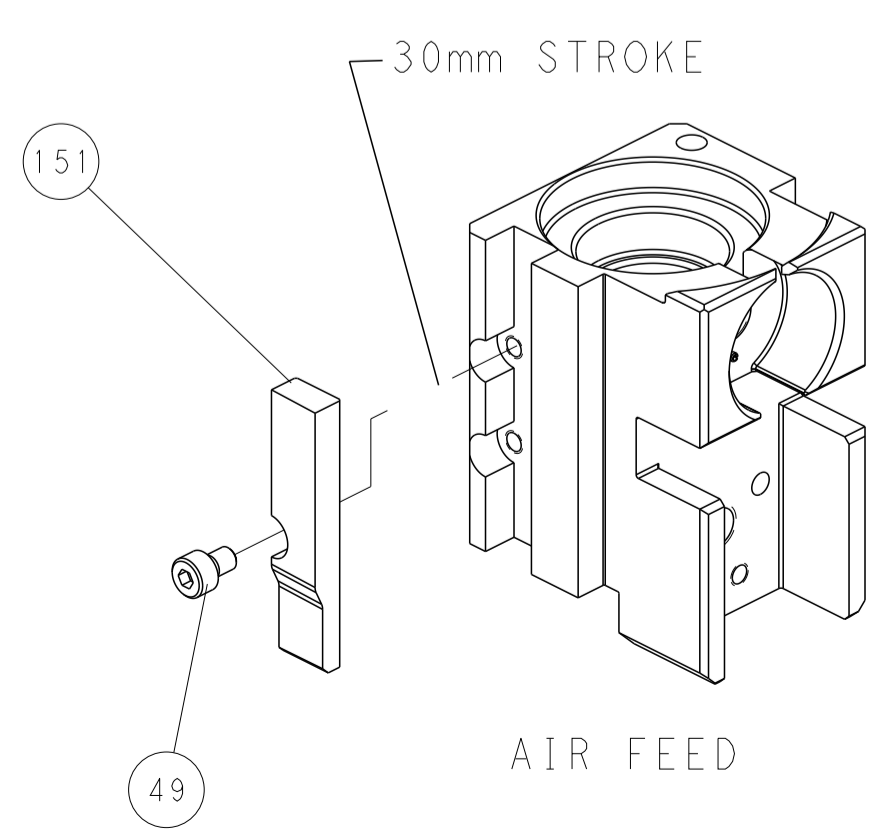
FEED TYPE



FEED SPRING SETTING POSITION
(SHOWN FROM REAR SIDE)



CAM POSITIONS



PACIFIC VERSION
 Shown on sheets 3 of 4 & 4 of 4
 (Atlantic version shown on sheets 1 of 4 & 2 of 4)

<small>THIS DRAWING IS UNPUBLISHED. RELEASED FOR PUBLICATION 20. COPYRIGHT 20 BY TYCO ELECTRONICS CORPORATION. ALL RIGHTS RESERVED.</small>		DWN B. WEAVER 17DEC2015 CHK G. BAILEY 17DEC2015 APVD G. BAILEY 17DEC2015	TE Connectivity Harrisburg, PA 17105-3608
DIMENSIONS: mm TOLERANCES UNLESS OTHERWISE SPECIFIED: 0 PLC ± 1 PLC ± 2 PLC ± 3 PLC ± 4 PLC ± ANGLES ± FINISH		NAME Ocean Side Feed Applier APPLICATION SPEC SIZE CAGE CODE DRAWING NO A1 00779 C=2836129	RESTRICTED TO SCALE 1:2 SHEET 4 OF 4 REV L
MATERIAL:		WEIGHT:	Customer Accessible Production Drawing