

ATLANTIC VERSION TERMINATOR INTERFACE ADAPTER	PART NUMBER	REVISION	DESCRIPTION	FEED TYPE	
	2836601-1	A	FINE CRIMP HEIGHT ADJUST	MECHANICAL	SUPERSEDED BY 5-2837259-1
	2836601-2	A	FINE CRIMP HEIGHT ADJUST	PNEUMATIC	SUPERSEDED BY 5-2837259-2
	2836601-5	A	FINE CRIMP HEIGHT ADJUST	SERVO LATCH PLATE	OBSOLETE
	2836601-6	A	NON-CRIMP HEIGHT ADJUST	SERVO LATCH PLATE	OBSOLETE
	2836601-7	A	FINE CRIMP HEIGHT ADJUST	NONE	OBSOLETE
	7-2836601-7	A	CRIMP TOOLING KIT	-	

APPLICATOR DATA		
CRIMP	SIZE	TYPE
WIRE	1.78 mm [.070]	F
INSUL	2.29 mm [.090]	O

APPLICATOR INSTRUCTIONS 408-10389

TERMINAL DATA: HARTING TERMINAL		Adapt Elektronik CRIMP SPECIFICATION	
TERMINAL NAME: FC FEMALE CONTACT CRIMP, CONTOUR 2			
WIRE STRIP LENGTH	INSULATION DIAMETER RANGE		
3.00-4.00 mm [.118-.157 IN]	Ø0.80-2.00 mm [.031-.079 IN]		
TERMINAL APPLICATION SPECIFICATION		Adapt Elektronik Rev 1-17-2017	
TERMINALS APPLIED			
TE TERMINAL	HARTING TERMINAL	TE TERMINAL	HARTING TERMINAL
1572649-1	09 06 000 6421	1572649-4	09 06 000 7471
1572649-2	09 06 000 6471	1572649-5	09 06 000 7481
1572649-3	09 06 000 6481		

WIRE SIZE	CRIMP HEIGHT mm [INCH]	CRIMP HEIGHT REFERENCE SETTING
0.50mm2	1.05+/-0.05 [.041+/- .002]	7.8
0.34mm2	1.00+/-0.05 [.039+/- .002]	8.2
0.25mm2	0.95+/-0.05 [.037+/- .002]	8.7
0.14mm2	0.89+/-0.05 [.035+/- .002]	9.5

- 1 RECOMMENDED SPARE PARTS
- 2 GREASE BEARING SURFACES LIGHTLY
- 3. LUBRICATE DAILY PER THE APPLICATOR INSTRUCTION SHEET SUPPLIED WITH THE APPLICATOR.
- 4 APPLICATOR SPECIFIC DATA TO BE ENTERED INTO BLANK MEMORY CHIP AT ASSEMBLY. SEE BELOW FOR PART NUMBER:  
 MECHANICAL FEED WITH "SMART APPLICATOR" CONVERSION: 8-2836601-4  
 PNEUMATIC FEED WITH "SMART APPLICATOR" CONVERSION: 8-2836601-4  
 SERVO FEED WITH "FINE CRIMP HEIGHT ADJUST": 8-2836601-5  
 SERVO FEED WITH "NON-CRIMP HEIGHT ADJUST": 8-2836601-6
- 5. ADJUSTMENT OF THE STRIPPER MAY BE REQUIRED WHEN MOVING THE APPLICATOR BETWEEN BENCH AND LEADMAKER APPLICATIONS.
- 6 APPLY PART NUMBER 1-23419-5 LOCTITE TO THREADS OF ITEM 62 & 180. APPLY PART NUMBER 2-23419-6 LOCTITE TO THREADS OF ITEM 242. FOR -6 ONLY APPLY PART NUMBER 1-23419-5 LOCTITE TO THREADS OF ITEM 37.
- 7 GREASE THREADS, GROOVE AND O-RING ON ITEMS 35 & 252.
- 8 MAGNET, ITEM 166 MUST BE ORIENTED CORRECTLY IN ORDER TO PROPERLY ACTUATE THE COUNTER.
- 9 CRIMP HEIGHT REFERENCE SETTING WAS THE SETTING USED WHEN THE APPLICATOR WAS QUALIFIED AT THE FACTORY. ADJUSTMENT MAY BE NECESSARY WHEN RUNNING APPLICATOR IN THE FIELD.
- 10 SPARE FEED CAM STORAGE LOCATION REFER TO INSTRUCTION SHEET FOR ADDITIONAL INFORMATION.
- 11 TO CONVERT THE APPLICATOR TO A NON-CARRIER CUTTING STYLE, REMOVE ITEM 13 AND ATTACH TO THE LOCATION ON THE BACK SIDE OF THE HOUSING. REFER TO INSTRUCTION SHEET FOR ADDITIONAL INFORMATION.
- 12 WHEN ASSEMBLING A NON CRIMP HEIGHT ADJUST APPLICATOR (-6) USE SHIMS FROM ITEM 260 TO ACHIEVE A NOMINAL SHIM HEIGHT OF 4.75.
- 13 THIS APPLICATOR IS SPECIFIC FOR USE IN A STRIPPER SEAL TERMINATING UNIT.
- 14 TERMINAL LUBRICANT IS RECOMMENDED.

**\*WARNING**  
 ON INSTALLATION, SET WIRE DISC, ITEM 40 TO LARGEST WIRE SIZE SETTING. USE OF SETTINGS BELOW MINIMUM REQUIRED CRIMP HEIGHT SETTING WILL CAUSE DAMAGE TO CRIMP TOOLING.

-77	-7	-6	-5	-2	-1	PART NO	DESCRIPTION	ITEM NO
-	-	1	-	-	-	2119957-2	APPLICATOR SHIM PACK	260
-	1	-	1	1	1	8-21084-0	O-RING, .676 ID, .070 DIA. MAT.	252
-	-	-	-	1	-	2119640-1	PUSH ROD, AIR FEED	250
-	-	-	-	1	-	1803259-1	BUSHING, FLANGED	249
-	-	-	-	1	-	2119641-1	FEED CAM, AIR FEED	248
-	1	-	1	1	1	2119798-1	DETENT PIN	247
-	1	-	1	1	1	1-22279-3	SPRING, COMPRESSION	246
-	-	1	-	-	-	2119758-1	RAM, AMP STYLE, SIDE FEED, NON-ADJ.	245

**ATLANTIC VERSION**  
 Shown on sheets 1 of 4 & 2 of 4  
 (Pacific version shown on sheets 3 of 4 & 4 of 4)

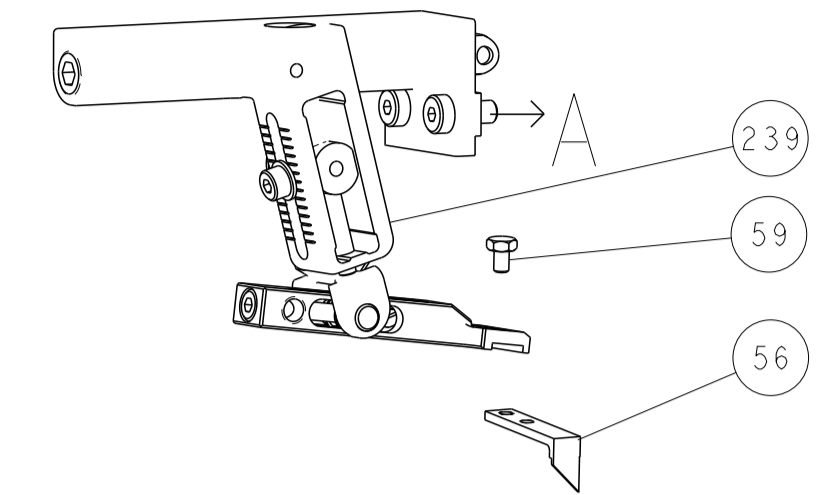
SET UP GAUGE		LOC	DIST	REVISIONS					
2119599-1	A	66		P	LTN	DESCRIPTION	DATE	OWN	APVD
				1		RELEASED	05MAR2017	BW	CT
				A1		ECR-19-010384	02JUL2019	TB	GB

-	1	1	1	1	1	2119082-8	CAM, SNAIL, INSULATION ADJUSTMENT	244
-	1	1	1	1	1	2079764-1	WASHER, WAVE SPRING, CREST-TO-CREST	243
6	-	1	1	1	1	2119083-1	RETAINER, INSULATION DIAL	242
-	1	1	1	1	1	7-18023-7	SCR, SKT HD CAP M3 X 4.0	241
-	-	2	2	-	-	2168400-6	SHCS, LOW HEAD, RoHS, M5 X 16	240
-	-	-	-	-	1	2119580-1	MECHANICAL FEED ASSEMBLY	239
-	-	-	-	1	-	2063440-1	AIR FEED MODULE	238
-	-	1	1	-	-	2119740-2	TAG, IDENTIFICATION	213
-	-	1	1	-	-	1901094-3	SPACER, FEEDER	198
6	-	1	1	1	1	1-1752354-6	STANDOFF, HOLD-DOWN	180
-	1	1	1	1	1	993111-1	PIN, SLOTTED SPRING 3.0 X 20.0	177
-	1	1	1	1	1	5-22280-0	SPRING, COMPRESSION	176
-	1	1	1	1	1	1752353-3	GUIDE PIN, HOLDDOWN	175
-	1	1	1	1	1	1901680-2	GUIDE PIN, HOLDDOWN	174
-	-	-	-	2	-	21045-3	RING, RETAIN, EXTERN, 3/16 CRESCENT	172
-	1	1	1	1	1	994969-1	MAGNET, RARE EARTH HIGH ENERGY	166
-	REF	REF	REF	REF	REF	994970-2	COUNTER, MAGNETIC	164
-	-	-	-	1	-	240638-1	SPRING, FEED FINGER	163
-	-	-	-	1	-	3-23627-7	PIN, RETAIN, GRVD, 3/16 X .854	137
-	-	-	-	1	-	2119799-1	HOLDER, FEED FINGER, AF	136
-	-	REF	REF	-	-	SEE NOTE 4	MEMORY CHIP, PROGRAMMED	135
-	-	1	1	-	-	1633743-1	SERVO FEED LATCH ASM	133
-	-	REF	REF	-	-	2119944-1	FEED FINGER ASSEMBLY, SF	117
14	-	1	1	1	1	2119955-1	ASSY, LUBRICATOR, SIDE FEED	113
-	1	1	1	1	1	455888-5	SPACER, CRIMPER	82
-	1	1	1	1	1	2119956-1	DOCUMENTATION PACKAGE	71
-	1	1	1	1	1	2119791-9	DEPRESSOR, WIRE	70
-	1	-	-	1	1	2119740-1	TAG, IDENTIFICATION	67
-	2	2	2	2	2	2168078-1	SCREW, DRIVE, RH, RoHS, 2 x .188	66
6	-	1	-	1	1	2119793-1	LIMITER, ADJUSTMENT BOLT	63
-	3	-	3	3	3	992763-5	SCR, SET, SOC, CONE PNT, M3 X 4.0	62
-	1	1	1	1	1	2079383-4	SCR, BHSC, RoHS (M4 X 8)	60
-	-	-	-	1	1	5-18022-5	SCR, HEX HD CAP, M4 X 6.0	59
-	-	-	-	1	1	1338685-1	PAWL, FEED	56
-	4	4	4	4	4	2168400-1	SHCS, LOW HEAD, RoHS, M4 X 12	54
-	2	2	2	2	2	2-2168083-5	SCR, SKT HD CAP, RoHS, M4 X 14	53
-	1	1	1	1	1	1-5018030-0	NUT, HEX, REG, RoHS, M3.5	52
-	1	1	1	1	1	5018030-1	NUT, HEX, REG, RoHS, M3	52
-	1	1	1	1	1	4-1722335-3	STRIPPER, SIDE FEED	51
-	1	1	1	1	1	811242-5	BUMPER, HOLD DOWN	51
-	1	1	1	1	1	690753-2	SPACER, TONKER	50
-	-	-	-	1	2	18023-9	SCR, SKT HD CAP M4 X 6.0	49
-	-	-	-	1	-	2119652-1	FEED CAM, PRE FEED	48
-	-	-	-	1	-	2119653-1	FEED CAM, POST FEED	47
-	1	1	1	1	1	2-2119656-1	APPLICATOR BASIC ASSEMBLY, SF	46
-	1	-	1	1	1	2119370-1	RAM, AMP STYLE, SIDE FEED	44
-	1	1	1	1	1	2079383-7	SCR, BHSC, RoHS (M8 X 25)	41
-	1	-	1	1	1	2119645-1	DISC, NUMBERED FA WIRE ADJUSTMENT	40
-	1	-	1	1	1	2119957-1	APPLICATOR SHIM PACK	39
6	-	1	1	1	1	2119644-1	RAM WASHER, PRECISION	38
-	1	1	1	1	1	2119085-1	FA HEAD, ATLANTIC STYLE	37
-	1	-	1	1	1	2119092-1	BOLT, ADJUSTMENT	35
-	1	1	1	1	1	3-1752356-1	SUPPORT, TERMINAL	34
-	2	2	2	2	2	2079383-5	SCR, BHSC, RoHS (M4 X 20)	33
-	1	1	1	1	1	2161328-1	HEX HEAD, FLANGED, M5 X 8mm LONG	32
-	1	1	1	1	1	1320908-3	SPACER, STRIP GUIDE	30
-	1	1	1	1	1	2119959-2	ASSEMBLY, STRIP GUIDE	29
-	1	1	1	1	1	1-455888-0	SPACER, CRIMPER	28
-	1	1	1	1	1	1320928-2	STRIP GUIDE	24
-	1	1	1	1	1	1-18028-2	WASHER, FLAT, REG M4	20
1	-	1	1	1	1	2119806-1	INSERT, SHEAR	13
-	1	1	1	1	1	3-22280-3	SPRING, COMPRESSION	12
-	1	1	1	1	1	1-356885-5	STOP, SHEAR	11
1	1	1	1	1	1	2119805-1	SHEAR HOLDER, FRONT	10
1	1	1	1	1	1	1803095-3	FLOATING SHEAR, FRONT	9
1	1	1	1	1	1	6-1633919-7	ANVIL, COMBINATION	8
-	1	1	1	1	1	2-240641-4	SPACER	7
-	-	-	-	-	-	-	-	6
-	1	1	1	1	1	2119757-4	DEPRESSOR, SHEAR	5
-	1	1	1	1	1	5-238011-5	BLOCK, CRIMPER SPACER	4
1	1	1	1	1	1	1803453-3	CRIMPER, INSULATION O	3
-	1	1	1	1	1	455888-7	SPACER, CRIMPER	2
1	1	1	1	1	1	1803454-7	CRIMPER, WIRE	1

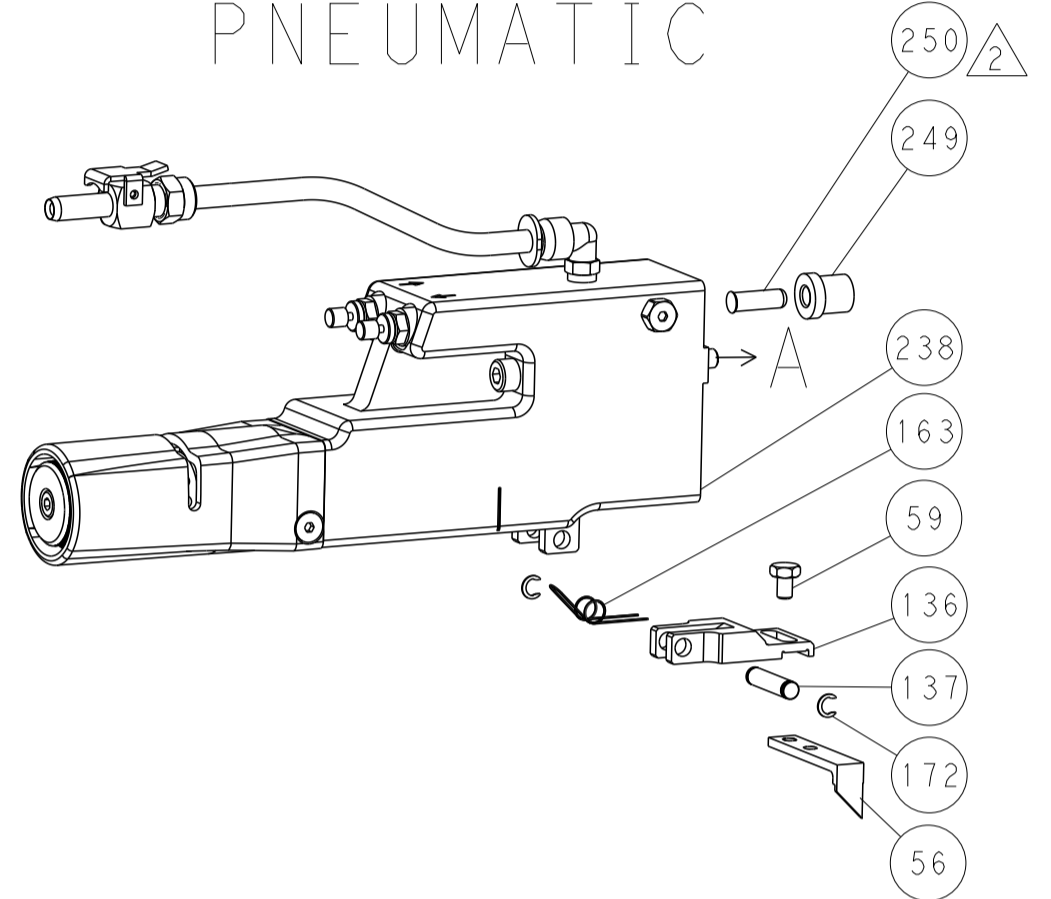
DIMENSIONS:		TOLERANCES UNLESS OTHERWISE SPECIFIED:		MATERIAL:		FINISH:		WEIGHT:		SCALE:	
mm	0 PLC	±									
	1 PLC	±									
	2 PLC	±									
	3 PLC	±									
	4 PLC	±									
	ANGLES	±									
	FINISH	±									

LOC	DIST	REVISIONS					
A	66	P	LTN	DESCRIPTION	DATE	OWN	APVD
		-		SEE SHEET 1			

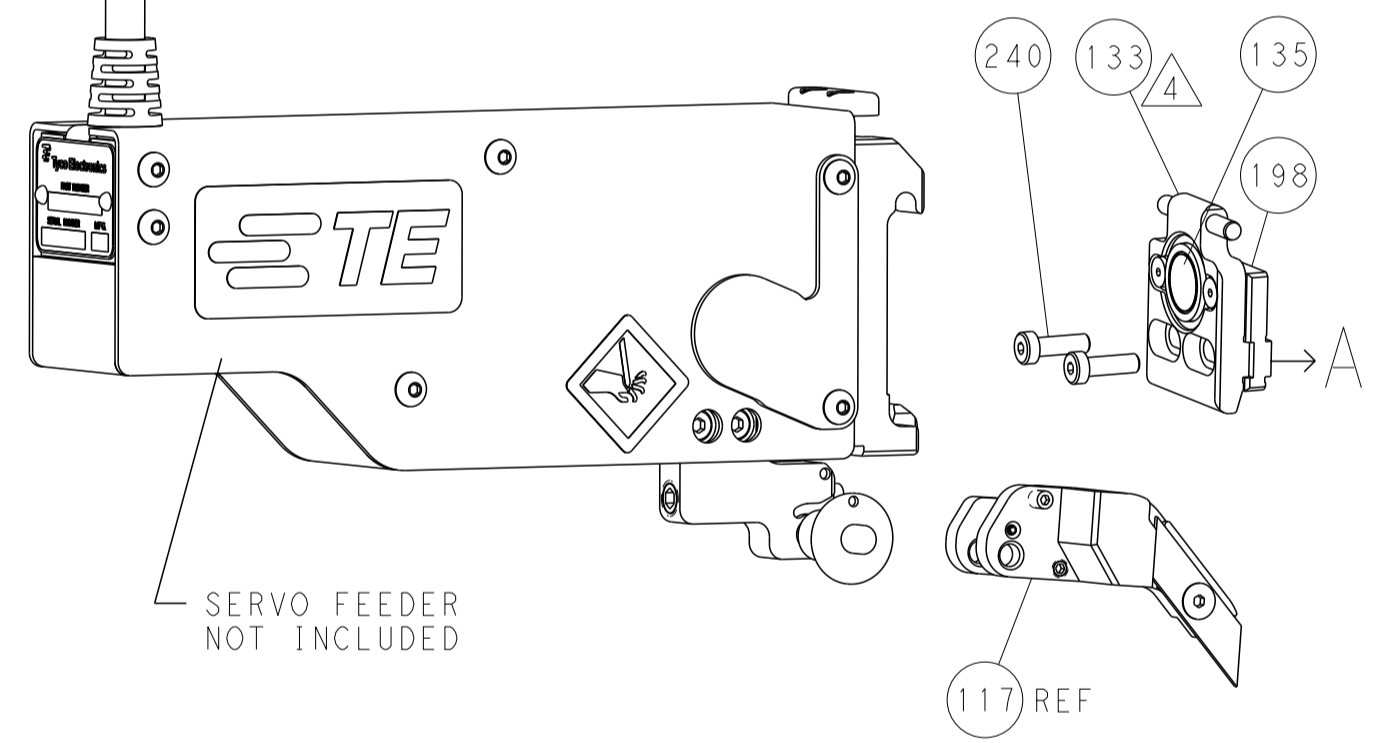
### FEED TYPE MECHANICAL



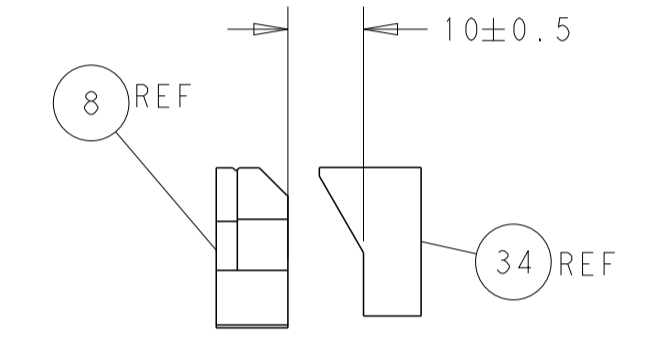
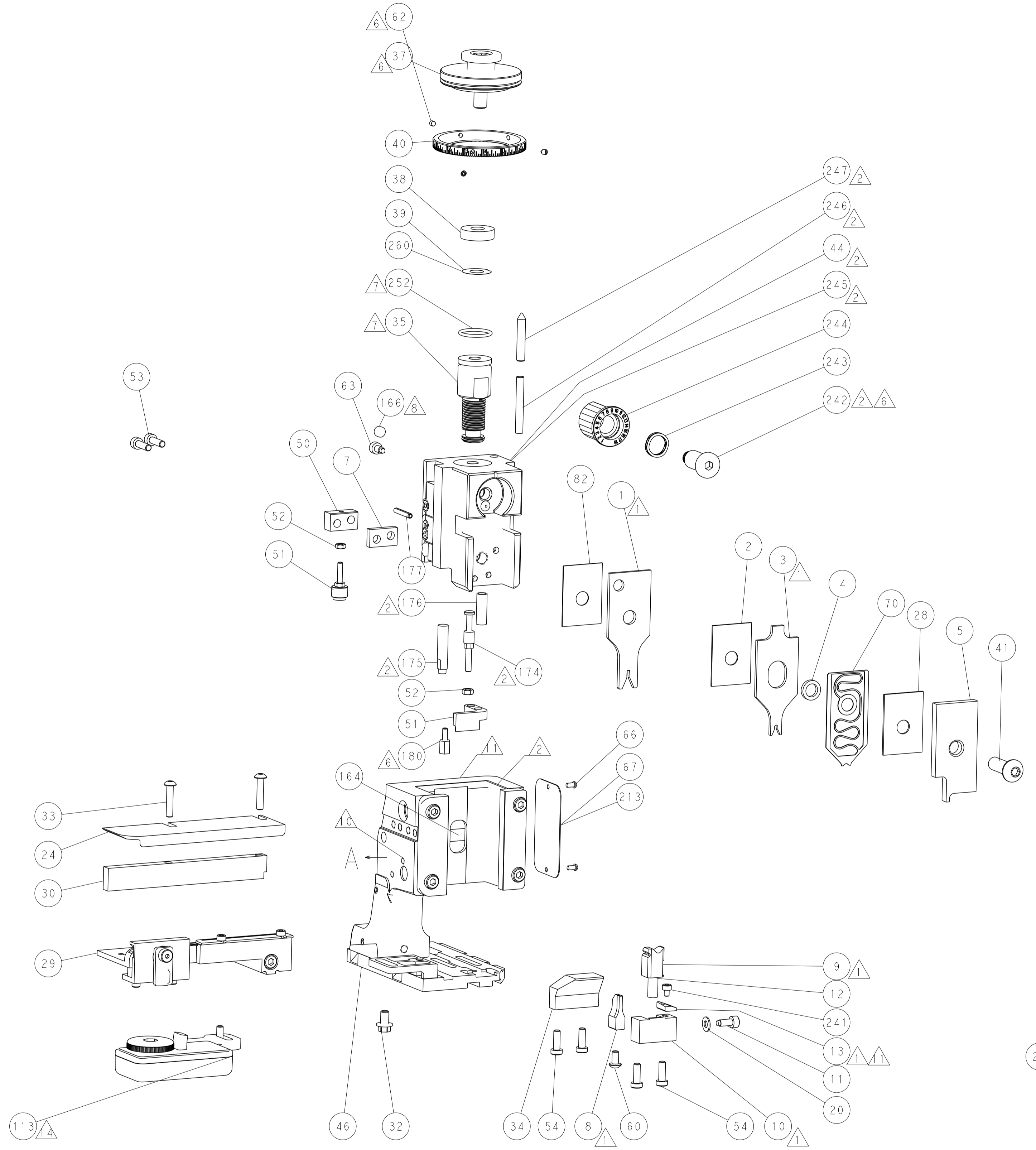
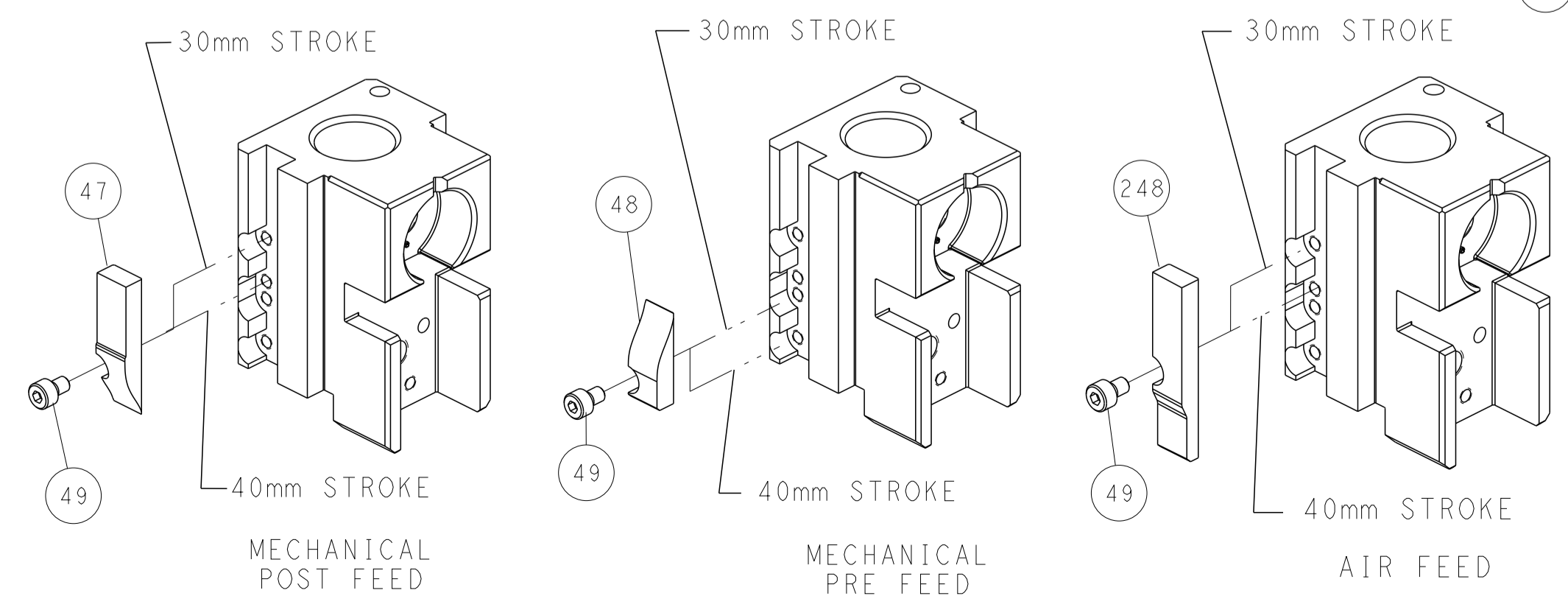
### PNEUMATIC



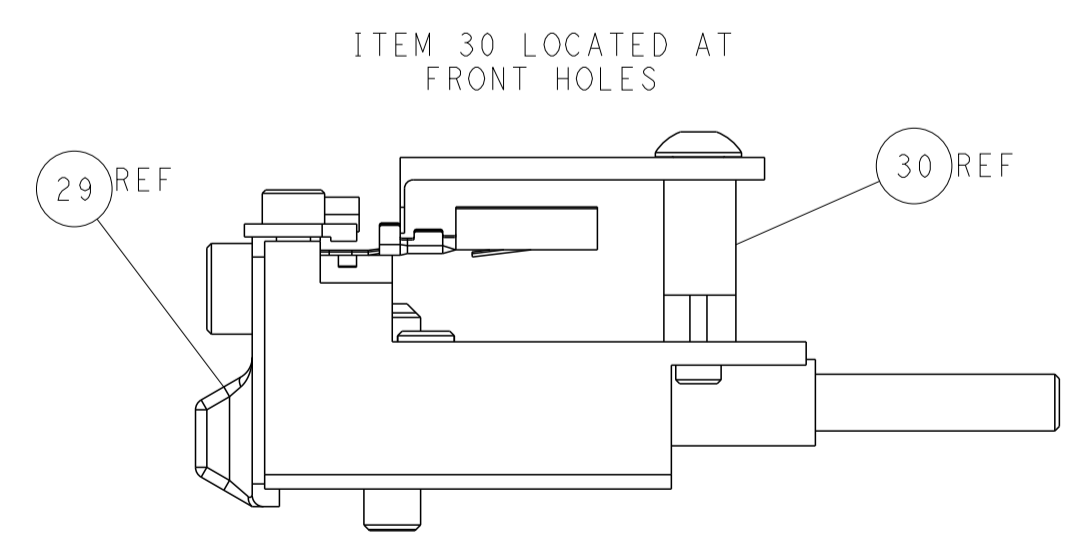
### SERVO LATCH PLATE



### CAM POSITIONS



TERMINAL SUPPORT LOCATION



FEED TRACK POSITION GUIDE BY INSULATION BARREL

**ATLANTIC VERSION**  
 Shown on sheets 1 of 4 & 2 of 4  
 (Pacific version shown on sheets 3 of 4 & 4 of 4)

DIMENSIONS: mm 		TOLERANCES UNLESS OTHERWISE SPECIFIED: 0 PLC ± 1 PLC ± 2 PLC ± 3 PLC ± 4 PLC ± ANGLES ± FINISH ±		DWN B. WEAVER 25JAN2017 CHK C. TOPPER 25JAN2017 APVD C. TOPPER 25JAN2017 PRODUCT SPEC APPLICATION SPEC WEIGHT Customer Accessible Production Drawing		NAME Ocean Side Feed Applicator SIZE CAGE CODE DRAWING NO A1 00779 C=2836601 SCALE 1:2 SHEET 2 OF 4 REV A1		TE Connectivity Harrisburg, PA 17105-3608 RESTRICTED TO	
-----------------------	--	---	--	--	--	--	--	---	--

PACIFIC VERSION TERMINATOR INTERFACE ADAPTER	PART NUMBER	REVISION	DESCRIPTION	FEED TYPE	
	2-2836601-1	A	FINE CRIMP HEIGHT ADJUST	MECHANICAL	OBSOLETE
	2-2836601-2	A	FINE CRIMP HEIGHT ADJUST	PNEUMATIC	OBSOLETE
	2-2836601-5	A	FINE CRIMP HEIGHT ADJUST	SERVO LATCH PLATE	OBSOLETE
	2-2836601-7	A	FINE CRIMP HEIGHT ADJUST	NONE	OBSOLETE
	7-2836601-7	A	CRIMP TOOLING KIT	-	

APPLICATOR DATA		
CRIMP	SIZE	TYPE
WIRE	1.78 mm [.070]	F
INSUL	2.29 mm [.090]	O
APPLICATOR INSTRUCTIONS 408-10389		

TERMINAL DATA: HARTING TERMINAL Adapt Elektronik CRIMP SPECIFICATION			
TERMINAL NAME: FC FEMALE CONTACT CRIMP, CONTOUR 2			
WIRE STRIP LENGTH		INSULATION DIAMETER RANGE	
3.00-4.00 mm [1.18-.157 IN]		Ø0.80-2.00 mm [0.031-.079 IN]	
TERMINAL APPLICATION SPECIFICATION Adapt Elektronik Rev 1-17-2017			
TERMINALS APPLIED			
TE TERMINAL	HARTING TERMINAL	TE TERMINAL	HARTING TERMINAL
1572649-1	09 06 000 6421	1572649-4	09 06 000 7471
1572649-2	09 06 000 6471	1572649-5	09 06 000 7481
1572649-3	09 06 000 6481		

WIRE SIZE	CRIMP HEIGHT mm [INCH]	CRIMP HEIGHT REFERENCE SETTING
0.50mm2	1.05+/-0.05 [0.41+/-0.02]	7.8
0.34mm2	1.00+/-0.05 [0.39+/-0.02]	8.2
0.25mm2	0.95+/-0.05 [0.37+/-0.02]	8.7
0.14mm2	0.89+/-0.05 [0.35+/-0.02]	9.5

- RECOMMENDED SPARE PARTS
- GREASE BEARING SURFACES LIGHTLY
- LUBRICATE DAILY PER THE APPLICATOR INSTRUCTION SHEET SUPPLIED WITH THE APPLICATOR.
- APPLICATOR SPECIFIC DATA TO BE ENTERED INTO BLANK MEMORY CHIP AT ASSEMBLY. SEE BELOW FOR PART NUMBER:  
MECHANICAL FEED WITH "SMART APPLICATOR" CONVERSION: 8-2836601-4  
PNEUMATIC FEED WITH "SMART APPLICATOR" CONVERSION: 8-2836601-4  
SERVO FEED WITH "FINE CRIMP HEIGHT ADJUST": 8-2836601-5
- ADJUSTMENT OF THE STRIPPER MAY BE REQUIRED WHEN MOVING THE APPLICATOR BETWEEN BENCH AND LEADMAKER APPLICATIONS.
- APPLY PART NUMBER 1-23419-5 LOCTITE TO THREADS OF ITEM 62 & 180. APPLY PART NUMBER 2-23419-6 LOCTITE TO THREADS OF ITEM 242.
- GREASE THREADS, GROOVE AND O-RING ON ITEMS 139 & 152.
- MAGNET MUST BE ORIENTED CORRECTLY IN ORDER TO PROPERLY ACTUATE THE COUNTER.
- CRIMP HEIGHT REFERENCE SETTING WAS THE SETTING USED WHEN THE APPLICATOR WAS QUALIFIED AT THE FACTORY. ADJUSTMENT MAY BE NECESSARY WHEN RUNNING APPLICATOR IN THE FIELD.
- SPARE FEED CAM STORAGE LOCATION REFER TO INSTRUCTION SHEET FOR ADDITIONAL INFORMATION.
- TO CONVERT THE APPLICATOR TO A NON-CARRIER CUTTING STYLE, REMOVE ITEM 13 AND ATTACH TO THE LOCATION ON BACK SIDE OF THE HOUSING. REFER TO INSTRUCTION SHEET FOR ADDITIONAL INFORMATION.
- THIS APPLICATOR IS SPECIFIC FOR USE IN A STRIPPER SEAL TERMINATING UNIT.
- TERMINAL LUBRICANT IS RECOMMENDED.

**\*WARNING**  
ON INSTALLATION, SET WIRE DISC, ITEM 40 TO LARGEST WIRE SIZE SETTING. USE OF SETTINGS BELOW MINIMUM REQUIRED CRIMP HEIGHT SETTING WILL CAUSE DAMAGE TO CRIMP TOOLING.

-	1	1	1	1	2119782-1	FINE ADJUST HEAD ASM, PACIFIC STYLE	251
-	-	-	1	-	2119640-1	PUSH ROD, AIR FEED	250
-	-	-	1	-	1803259-1	BUSHING, FLANGED	249
-	1	1	1	1	1-22279-3	SPRING, COMPRESSION	246
-	1	1	1	1	2119082-8	CAM, SNAIL, INSULATION ADJUSTMENT	244
-	1	1	1	1	2079764-1	WASHER, WAVE SPRING, CREST-TO-CREST	243
-77	-27	-25	-22	-21	PART NO	DESCRIPTION	ITEM NO

**PACIFIC VERSION**  
Shown on sheets 3 of 4 & 4 of 4  
(Atlantic version shown on sheets 1 of 4 & 2 of 4)

SET UP GAUGE	LOC	DIST	REVISIONS					
2119599-1	A	66	P	LTN	DESCRIPTION	DATE	OWN	APVD
			-		SEE SHEET 1			

6	-	1	1	1	1	2119083-1	RETAINER, INSULATION DIAL	242	
	-	1	1	1	1	7-18023-7	SCR, SKT HD CAP M3 X 4.0	241	
	-	-	2	-	-	2168400-6	SHCS, LOW HEAD, RoHS, M5 X 16	240	
	-	-	-	-	1	2119580-1	MECHANICAL FEED ASSEMBLY	239	
	-	-	-	1	-	2063440-1	AIR FEED MODULE	238	
	-	-	1	-	-	2119740-2	TAG, IDENTIFICATION	213	
	-	-	1	-	-	1901094-3	SPACER, FEEDER	198	
6	-	1	1	1	1	1-1752354-6	STANDOFF, HOLD-DOWN	180	
	-	1	1	1	1	993111-1	PIN, SLOTTED SPRING 3.0 X 20.0	177	
	-	1	1	1	1	5-22280-0	SPRING, COMPRESSION	176	
	-	1	1	1	1	1752353-3	GUIDE PIN, HOLDDOWN	175	
	-	1	1	1	1	1901680-2	GUIDE PIN, HOLDDOWN	174	
	-	-	-	2	-	21045-3	RING, RETAIN, EXTERN, 3/16 CRESCENT	172	
	-	1	1	1	1	994969-1	MAGNET, RARE EARTH HIGH ENERGY	166	
	-	REF	REF	REF	REF	994970-2	COUNTER, MAGNETIC	164	
	-	-	-	1	-	240638-1	SPRING, FEED FINGER	163	
	-	1	1	1	1	8-21084-1	O-RING, .801 ID, .070 DIA. MAT.	152	
	-	-	-	1	-	2119641-2	FEED CAM, AIR FEED	151	
	-	1	1	1	1	2119798-2	DETENT PIN	145	
	-	1	1	1	1	2079383-8	SCR, BHSC, RoHS (M4 X 16)	144	
	-	4	4	4	4	2168400-5	SHCS, LOW HEAD, RoHS, M4 X 20	143	
	-	-	-	-	1	2119653-2	FEED CAM, POST FEED	142	
	-	1	1	1	1	2-2119656-2	APPLICATOR BASIC ASSEMBLY, SF	141	
	-	1	1	1	1	2119650-1	RAM, ASIAN STYLE, SIDE FEED	140	
	-	1	1	1	1	2119092-2	BOLT, ADJUSTMENT	139	
	-	-	-	1	-	3-23627-7	PIN, RETAIN, GRVD, 3/16 X .854	137	
	-	-	-	1	-	2119799-1	HOLDER, FEED FINGER, AF	136	
	-	-	REF	-	-	-	SEE NOTE 4	MEMORY CHIP, PROGRAMMED	135
	-	-	1	-	-	1633743-1	SERVO FEED LATCH ASM	133	
	-	-	REF	-	-	2119944-1	FEED FINGER ASSEMBLY, SF	117	
3	-	1	1	1	1	2119955-1	ASSY, LUBRICATOR, SIDE FEED	113	
	-	1	1	1	1	455888-5	SPACER, CRIMPER	82	
	-	1	1	1	1	2119956-1	DOCUMENTATION PACKAGE	71	
	-	1	1	1	1	2119791-9	DEPRESSOR, WIRE	70	
	-	1	-	1	1	2119740-1	TAG, IDENTIFICATION	67	
	-	2	2	2	2	2168078-1	SCREW, DRIVE, RH, RoHS, 2 x .188	66	
6	-	1	1	1	1	2119793-1	LIMITER, ADJUSTMENT BOLT	63	
	-	3	3	3	3	992763-5	SCR, SET, SOC, CONE PNT, M3 X 4.0	62	
	-	-	-	1	1	5-18022-5	SCR, HEX HD CAP, M4 X 6.0	59	
	-	-	-	1	1	1338685-1	PAWL, FEED	56	
	-	2	2	2	2	2-2168083-5	SCR, SKT HD CAP, RoHS, M4 X 14	53	
	-	1	1	1	1	1-5018030-0	NUT, HEX, REG, RoHS, M3.5	52	
	-	1	1	1	1	5018030-1	NUT, HEX, REG, RoHS, M3	52	
	-	1	1	1	1	4-1722335-3	STRIPPER, SIDE FEED	51	
	-	1	1	1	1	811242-5	BUMPER, HOLD DOWN	51	
	-	1	1	1	1	690753-2	SPACER, TONKER	50	
	-	-	-	1	2	18023-9	SCR, SKT HD CAP M4 X 6.0	49	
	-	-	-	-	1	2119652-1	FEED CAM, PRE FEED	48	
	-	1	1	1	1	2079383-7	SCR, BHSC, RoHS (M8 X 25)	41	
	-	1	1	1	1	2119645-1	DISC, NUMBERED FA WIRE ADJUSTMENT	40	
	-	1	1	1	1	2119957-1	APPLICATOR SHIM PACK	39	
	-	1	1	1	1	2119644-1	RAM WASHER, PRECISION	38	
	-	1	1	1	1	3-1752356-1	SUPPORT, TERMINAL	34	
	-	2	2	2	2	2079383-5	SCR, BHSC, RoHS (M4 X 20)	33	
	-	1	1	1	1	2161328-1	HEX HEAD, FLANGED, M5 X 8mm LONG	32	
	-	1	1	1	1	1320908-3	SPACER, STRIP GUIDE	30	
	-	1	1	1	1	2119959-2	ASSEMBLY, STRIP GUIDE	29	
	-	1	1	1	1	1-455888-0	SPACER, CRIMPER	28	
	-	1	1	1	1	1320928-2	STRIP GUIDE	24	
	-	1	1	1	1	1-18028-2	WASHER, FLAT, REG M4	20	
1	-	1	1	1	1	2119806-1	INSERT, SHEAR	13	
	-	1	1	1	1	3-22280-3	SPRING, COMPRESSION	12	
	-	1	1	1	1	1-356885-5	STOP, SHEAR	11	
1	-	1	1	1	1	2119805-1	SHEAR HOLDER, FRONT	10	
1	-	1	1	1	1	1803095-3	FLOATING SHEAR, FRONT	9	
1	1	1	1	1	1	6-1633919-7	ANVIL, COMBINATION	8	
	-	1	1	1	1	2-240641-4	SPACER	7	
	-	-	-	-	-	-	-	6	
	-	1	1	1	1	2119757-4	DEPRESSOR, SHEAR	5	
	-	1	1	1	1	5-238011-5	BLOCK, CRIMPER SPACER	4	
1	1	1	1	1	1	1803453-3	CRIMPER, INSULATION O	3	
	-	1	1	1	1	455888-7	SPACER, CRIMPER	2	
1	1	1	1	1	1	1803454-7	CRIMPER, WIRE	1	
-77	-27	-25	-22	-21	PART NO	DESCRIPTION	ITEM NO		

DIMENSIONS:		TOLERANCES UNLESS OTHERWISE SPECIFIED:		DWG		NAME	
mm	0 PLC ±	1 PLC ±	2 PLC ±	3 PLC ±	4 PLC ±	5 PLC ±	ANGLES ±
	FINISH						
MATERIAL		WEIGHT		SCALE		SHEET	REV
				1:2		3 OF 4	A1

