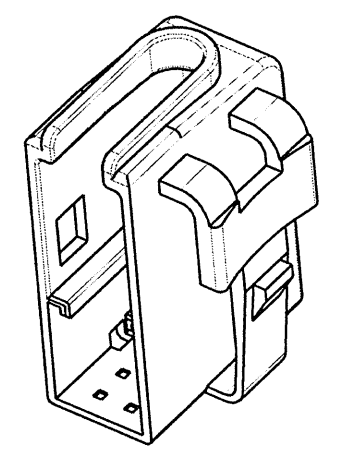
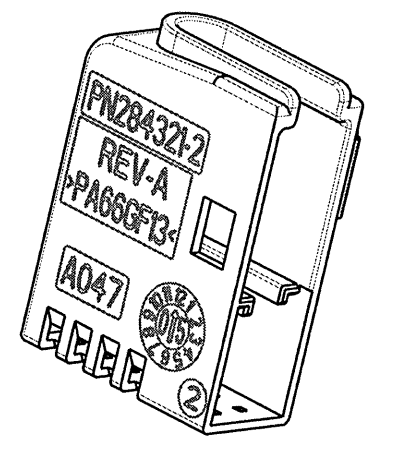
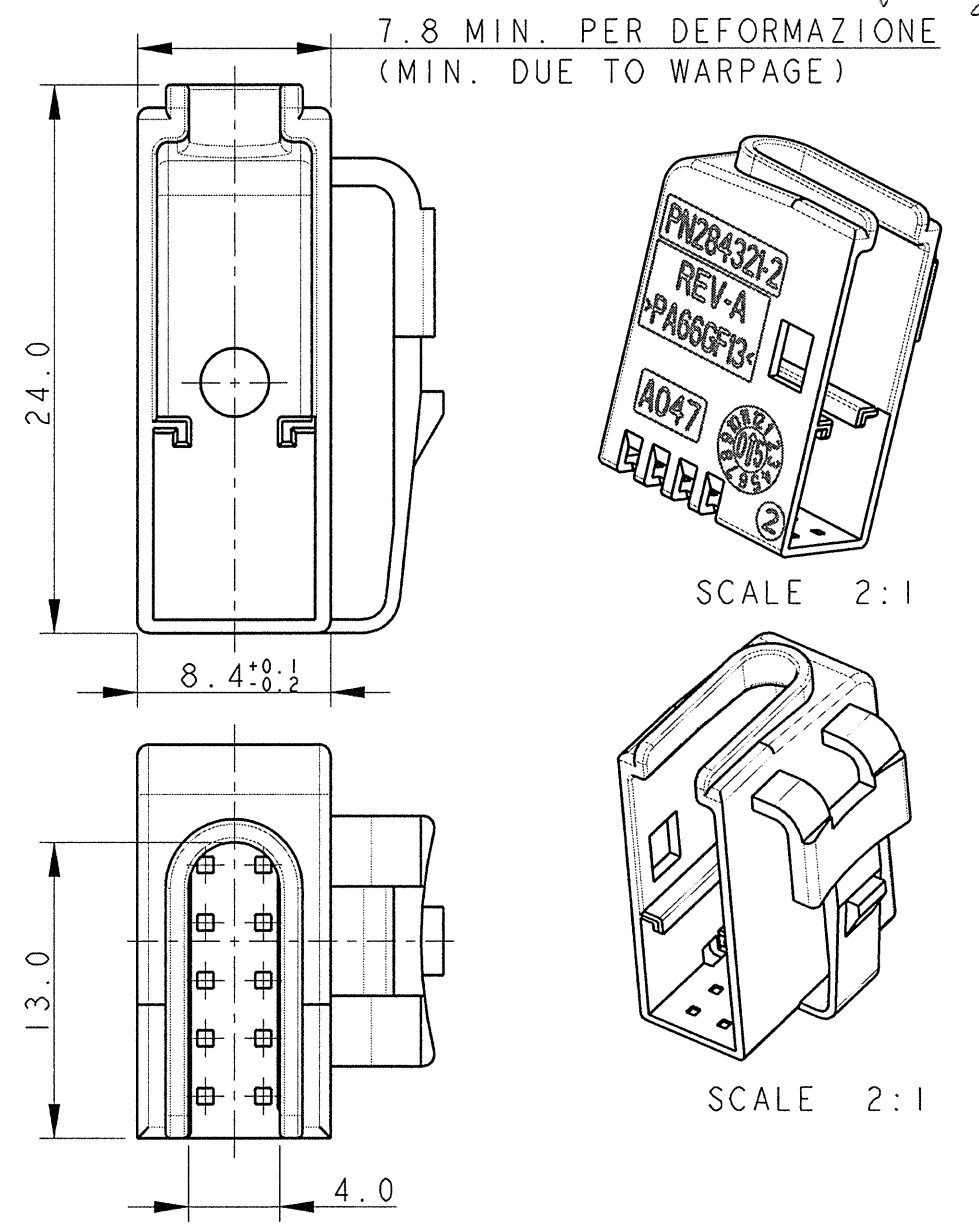
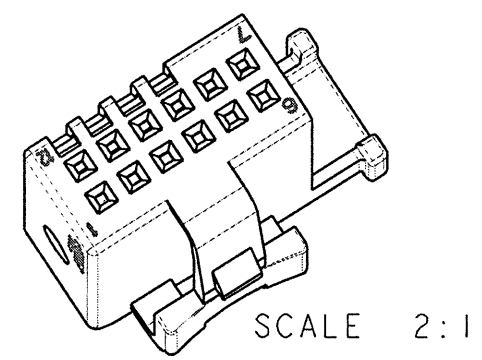
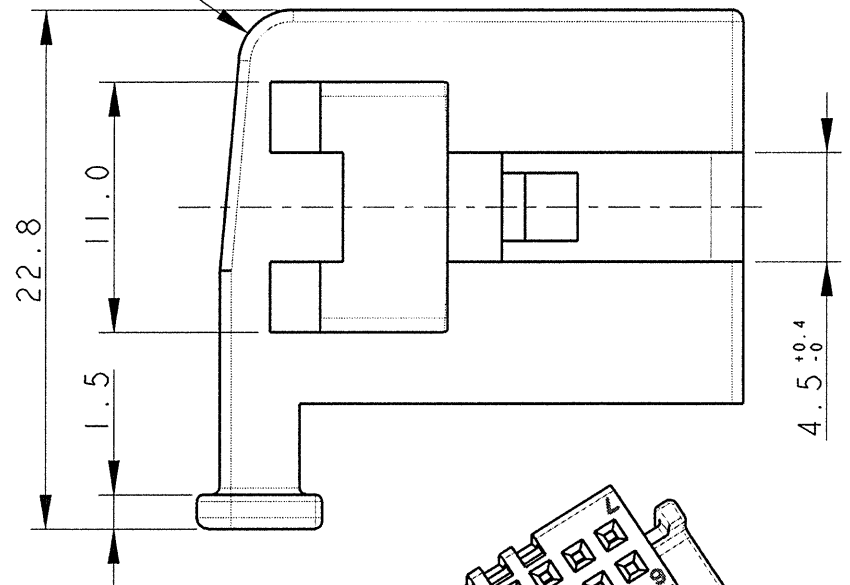
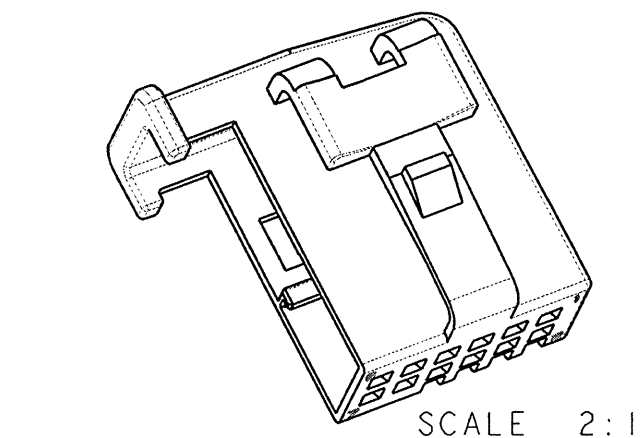
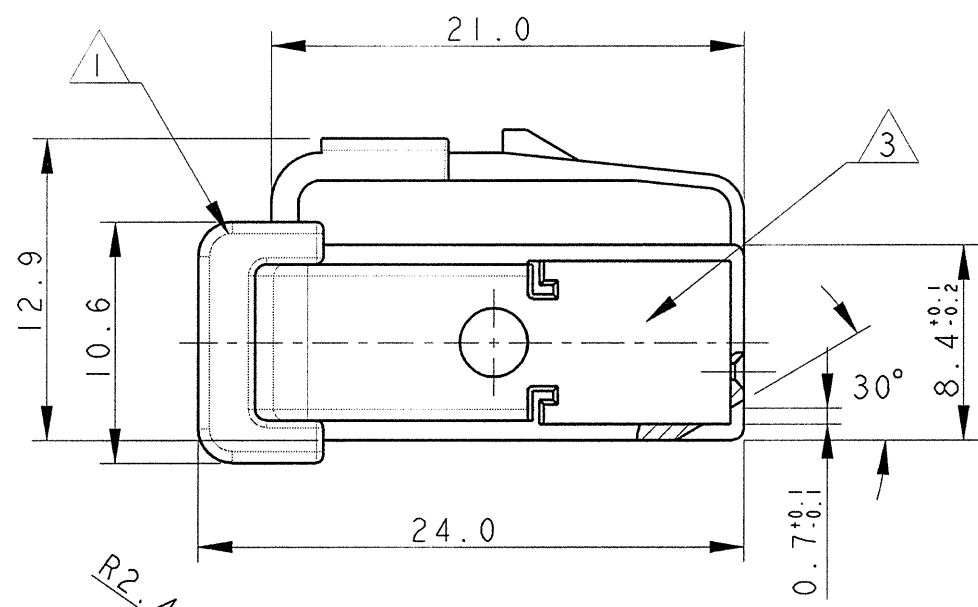
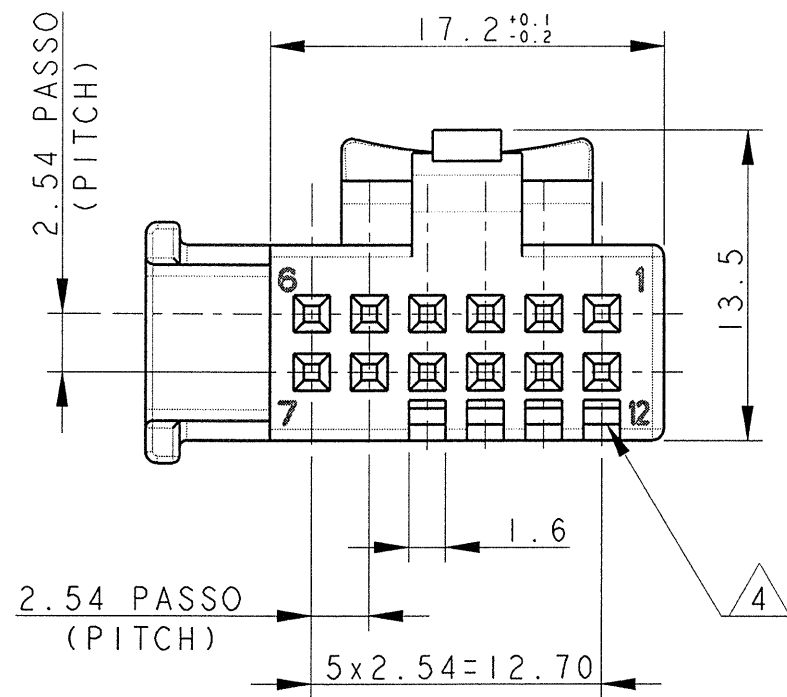


REVISIONS REVISIONI					
P	LTR REV	DESCRIPTION DESCRIZIONE	DATE DATA	DWH DIS.	APVD APP.
0		PRELIMINARY ISSUE	15DEC98	G.S.	O.C.
1		MODIFIED WIRES EXIT	20MAY99	G.S.	O.C.
A		PRIMA EMIS. (FIRST ISSUE ET00-404-99)	13/10/00	G.S.	O.C.
A1		RELEASED FOR PRODUCTION ET00-0121-00	08MAY2000	M.S.	O.C.
A2		ADDED P/N 284321-2 (WAS 05-51169-1) ECR-016191	20JUL2006	F.S.	O.C.



- 1) MATERIALE CORAZZA: PA.66-G.F. CARICATO VETRO COLORE NERO
(FRAME MATERIAL: PA6.6-GF. COLOUR BLACK)
- 2) CORAZZA ADATTA PER DIMA P/N. 98-51275
(FRAME SUITABLE FOR HEADER P/N. 98-51275)
- 3) CAVITA' ADATTA PER MODULO 12 POS. MQS. CRIMP P/N 284322-1
(CAVITY SUITABLE FOR HOUSING 12 POS. MQS CRIMP P/N 284322-1)
- 4) ZONE FLESSIONE MOLLE DI CORTO CIRCUITO VEDI DIS. CONTROPARTE 98-51275
(SHORTING SPRINGS AREAS SEE COUNTERPART DRAWING 98-51275)

P/N 284321-1 COME MOSTRATO
(AS SHOWN)

P/N 284321-2 COME MOSTRATO
(AS SHOWN)
 PER NOTE E DIMENSIONI MANCANTI VEDERE P/N 284321-1
(FOR MISSING NOTES AND DIMENSIONS SEE P/N 284321-1)

THIS DRAWING IS A CONTROLLED DOCUMENT FOR TYCO ELECTRONICS CORPORATION IT IS SUBJECT TO CHANGE AND THE CONTROLLING ENGINEERING ORGANIZATION SHOULD BE CONTACTED FOR THE LATEST REVISION. QUESTO DISEGNO E' UN DOCUMENTO CONTROLLATO DI PROPRIETA' E RESPONSABILITA' DELLA TYCO ELECTRONICS CORPORATION. E' SOGGETTO A VARIAZIONI. PER OTTENERE L'ULTIMA REVISIONE DEL DISEGNO CONTATTARE L'UFFICIO TECNICO RESPONSABILE.		DWN/DIS. 15DEC98 G. STELLA CHK/CONT. 15DEC98 O. CANUTO APVD/APP. 15DEC98 A. BRUNI	Tyco Electronics AMP Italy C.so F.lli Cervi 15, Collegno (To)
DIMENSIONS: DIMENSIONI: mm	TOLERANCES UNLESS OTHERWISE SPECIFIED: TOLLERANZE: SE NON DIVERSAMENTE SPECIFICATO 0 PLC/DEC ±0.3 1 PLC/DEC ±0.3 2 PLC/DEC ±0.3 3 PLC/DEC ± 4 PLC/DEC ± ANGLES/ANGOLI ±1°	NAME NOME FRAME 12 POS. 2.54 mm PITCH	RESTRICTED TO -
MATERIAL MATERIALE	FINISH FINITURA	WEIGHT PESO -	SIZE CAGE CODE DRAWING NO NUMERO A3 00779 C-284321
CUSTOMER DRAWING		DISEGNO PER CLIENTE SOLO PER RIFERIMENTO	SCALE SCALA 3:1
		SHEET FOGLIO 1	OF DI 1
		REV A2	