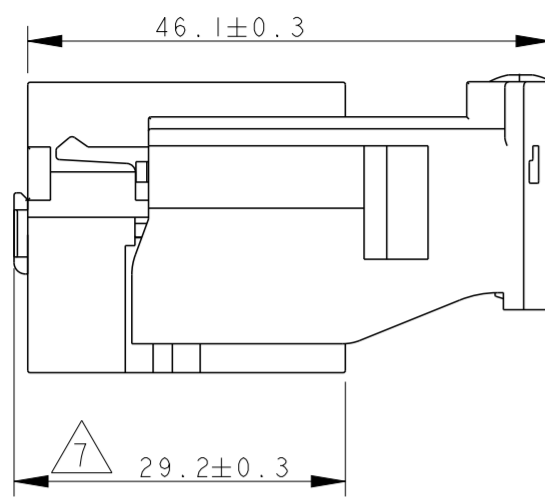


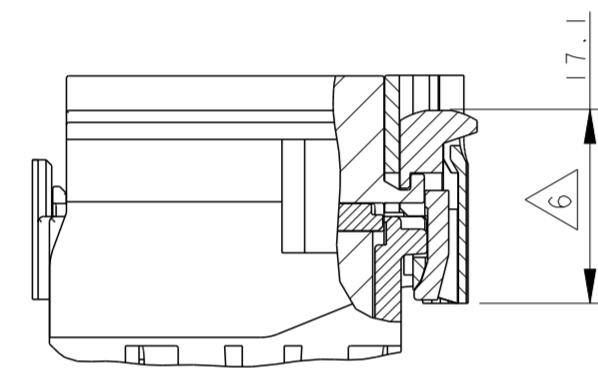
REVISIONS				
P	LTR	DESCRIPTION	DATE	APVD
C1		ECR-15-011013	29JUL2015	M.P. M.G.
C2		REVISED PER ECO-17-001706	10FEB2017	C.A. M.G.
D		CHANGED GLASS FIBER PERCENTAGE ON HSG. ECO-17-018409	15DEC2017	M.G. M.G.
D1		ECO-19-019085	16DEC2019	M.P. A.G.

**SLITTA IN POSIZIONE APERTA
(SLIDE IN OPEN POSITION)**

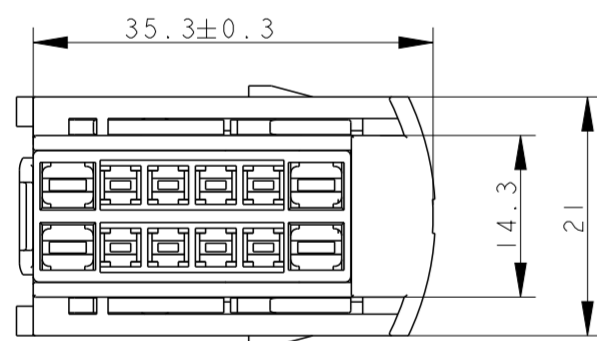


SLITTA IN POSIZIONE CORRETTA PER ACCOPPIAMENTO DI CONNETTORE CON CONTROPARTE
(SLIDE IN PROPER POSITION TO MATE THE CONNECTOR WITH COUNTERPART)

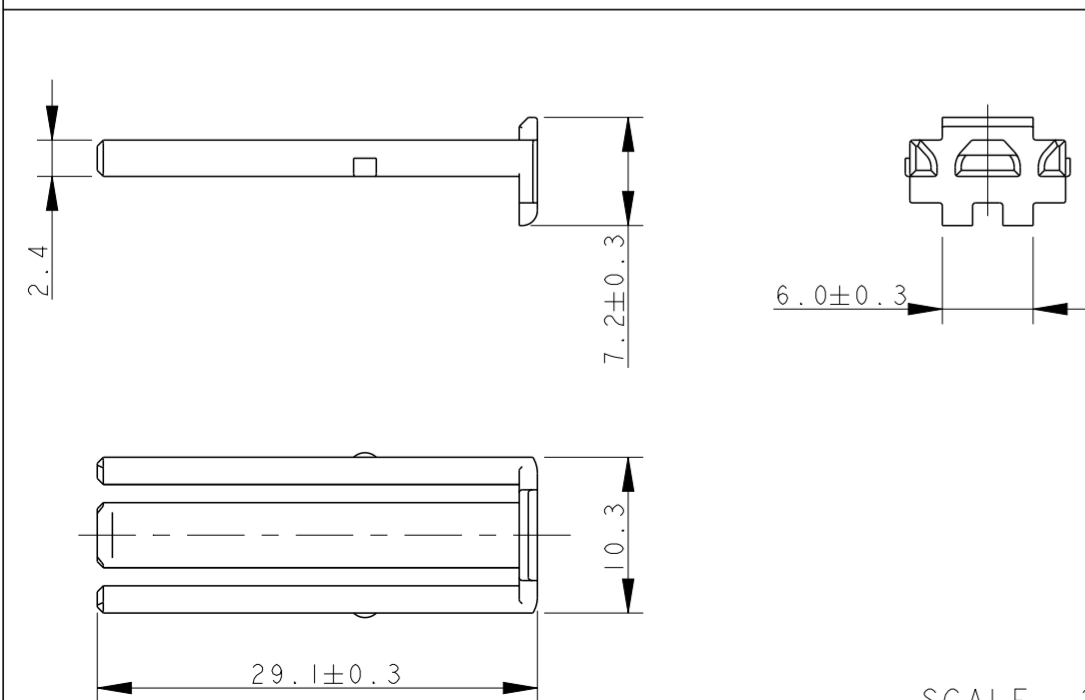
**C.P.A. IN POSIZIONE CHIUSA
(C.P.A. IN CLOSED POSITION)**



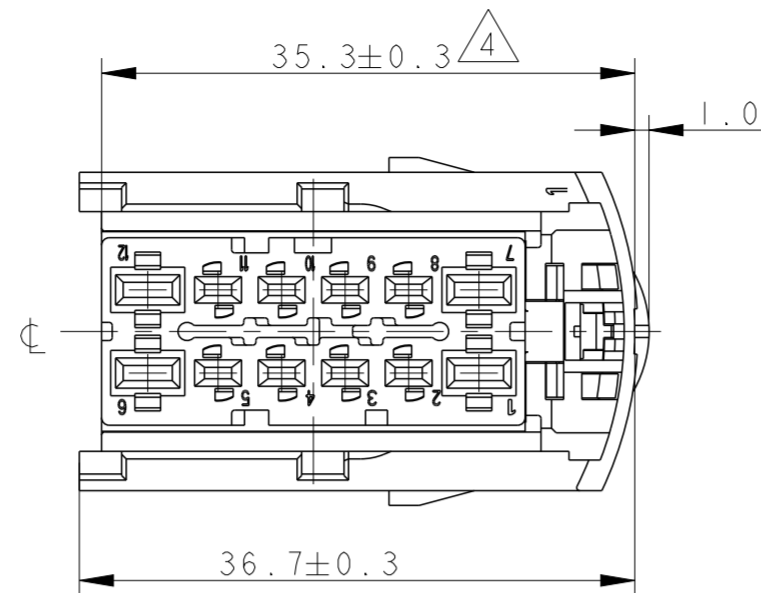
**VERSIONE SENZA C.P.A.
(POLARIZZAZIONI -2 E -4)
VERSION WITHOUT C.P.A.
(POLARIZATION -2 AND -4)**



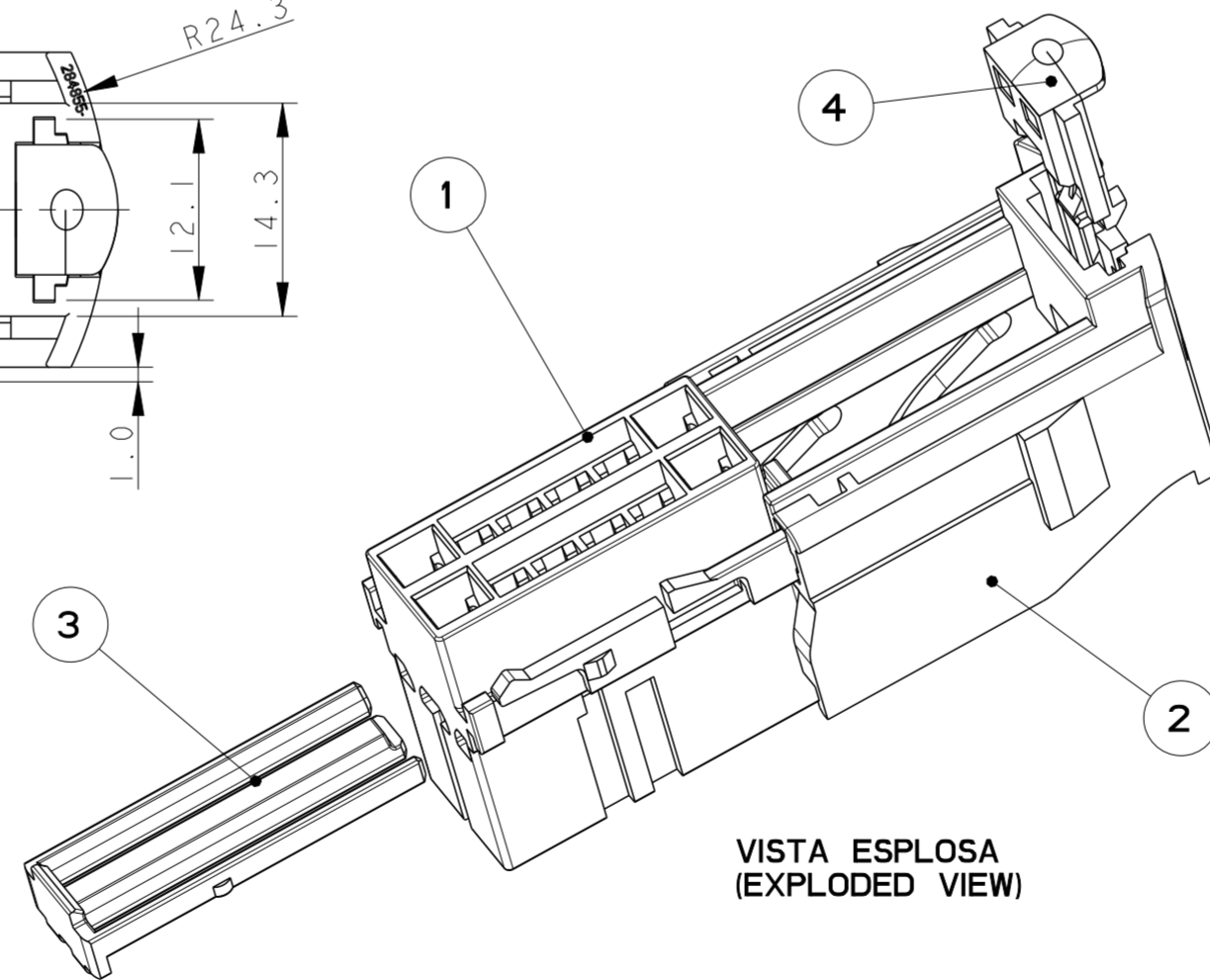
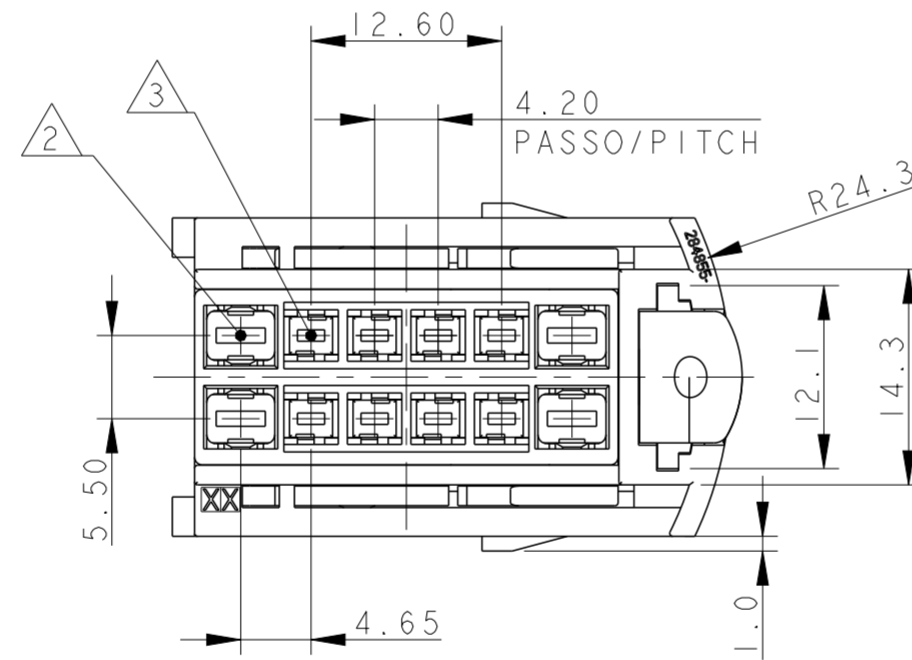
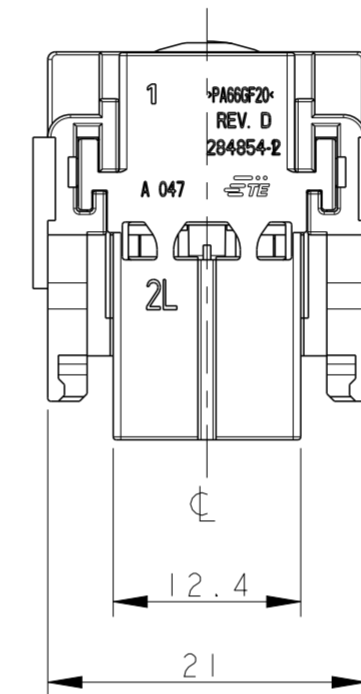
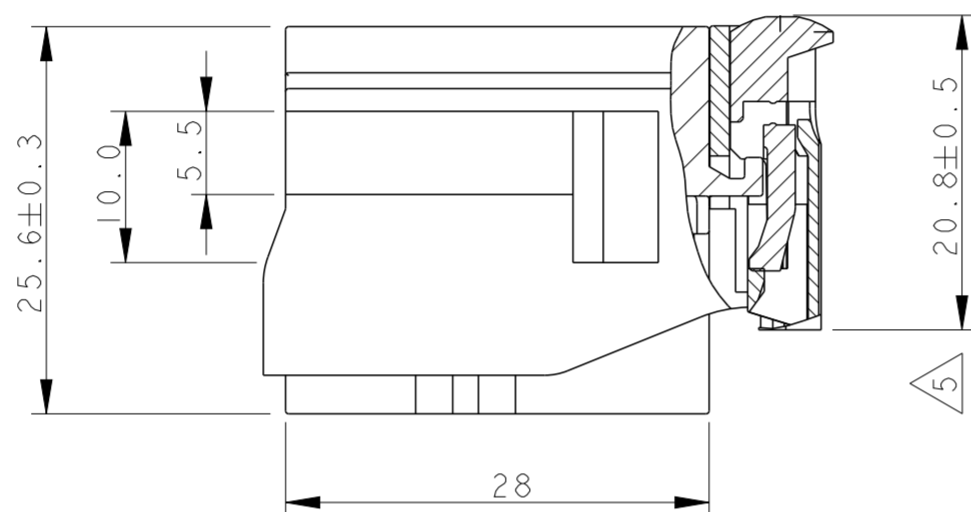
**SECONDARY LOCK FORNITO NELL' IMBALLO IN PARI QUANTITA'
(SECONDARY LOCK SUPPLIED IN THE BOX IN THE SAME Q.TY)**



SCALE 2:1

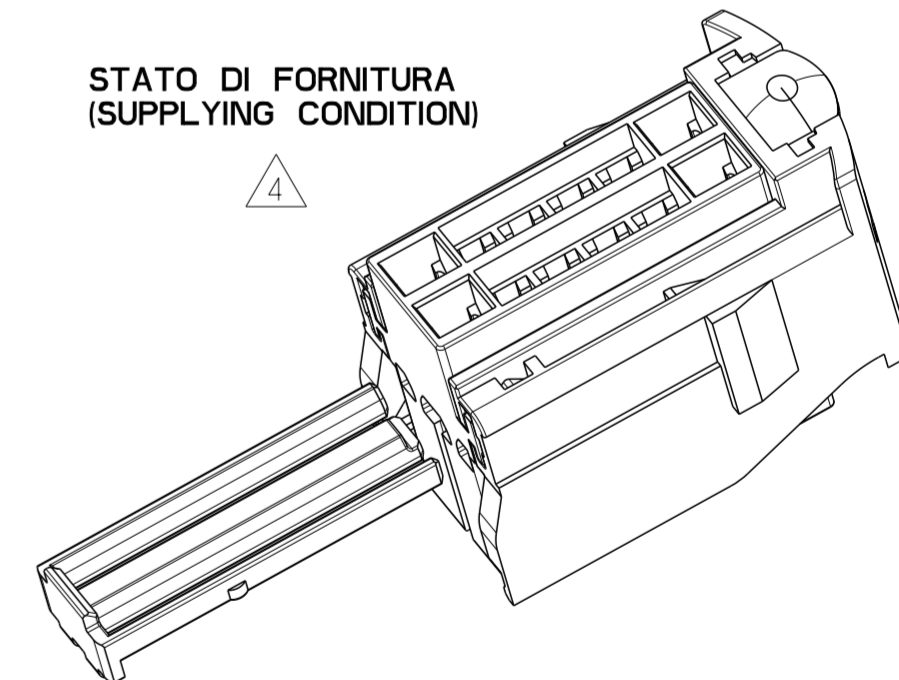


SECTION C-C



**VISTA ESPLOSA
(EXPLODED VIEW)**

**STATO DI FORNITURA
(SUPPLYING CONDITION)**



**P/N 284853-1 COME MOSTRATO (CODICE A)
(P/N 284853-1 AS SHOWN (CODING A))**
VEDI FOGLIO 2 PER ALTRE POLARIZZAZIONI
(SEE SHEET 2 FOR OTHER POLARIZATIONS)

Q.TA' (Q.TY)	COLORE (COLOUR)	MATERIALE (MATERIAL)	DESCRIZIONE (DESCRIPTION)	NO. (ITEM)
1	GIALLO/ (YELLOW)	PA66 GF13	C.P.A. (OPZIONALE) C.P.A. (OPTIONAL)	4
1	ROSSO/ (RED)	PA66 GF30	SECONDARY LOCK	3
1	BLU/ (BLUE)	PA66 GF30	SLITTA/ (SLIDE)	2
1	NERO O GRIGIO (BLACK OR GREY)	PA66 GF20	BLOCCHETTO/ (HOUSING)	1

DIMENSIONS:		TOLERANCES UNLESS OTHERWISE SPECIFIED:	
mm			
0 PLC	±0.3	0	±1°
1 PLC	±0.2	1	
2 PLC	±0.1	2	
3 PLC	±	3	
4 PLC	±	4	
ANGLES			
FINISH			

THIS DRAWING IS A CONTROLLED DOCUMENT.		DWN 03MAY2002		A. PLAZIO	
		CHK 06MAY2002		C. PIA	
		APVD 06MAY2002		A. GENTIA	
MATERIAL SEE TABLE		FINISH SEE TABLE		PRODUCT SPEC 108-20243	
		APPLICATION SPEC 411-20071		WEIGHT 12.35g	
		Customer Drawing		SCALE 2:1 SHEET 1 OF 2 REV D1	



AMP MCP 1.5/2.8 SOCKET HOUSING
12 POS. ASS'Y-UNSEALED
(CONNETTORE IBRIDO 12 VIE)

SIZE	CAGE CODE	DRAWING NO	RESTRICTED TO
A2	-	G-284853	-

REVISIONS				
P	LTR	DESCRIPTION	DATE	APVD
-	-	SEE SHEET 1	-	-

CODICI DI POLARIZZAZIONE (POLARIZATION CODINGS)

<p>P/N 284853-1 BLOCCHETTO COLORE NERO (HOUSING BLACK COLOUR) CODICE A (CODE A) VERSIONE CON C.P.A. (VERSION WITH C.P.A.) CONTROPARTI ADATTE: (SUITABLE COUNTERPARTS:) P/N 284858-1 / 284858-3</p>	<p>P/N 284853-2 ⚠ BLOCCHETTO COLORE NERO (HOUSING BLACK COLOUR) CODICE A (CODE A) VERSIONE SENZA C.P.A. (VERSION WITHOUT C.P.A.) CONTROPARTI ADATTE: (SUITABLE COUNTERPARTS:) P/N 284858-1 / 284858-3</p>	<p>P/N 284853-3 BLOCCHETTO COLORE GRIGIO (HOUSING GREY COLOUR) CODICE B (CODE B) VERSIONE CON C.P.A. (VERSION WITH C.P.A.) CONTROPARTI ADATTE: (SUITABLE COUNTERPARTS:) P/N 284858-2 / 284858-4</p>	<p>P/N 284853-4 ⚠ BLOCCHETTO COLORE GRIGIO (HOUSING GREY COLOUR) CODICE B (CODE B) VERSIONE SENZA C.P.A. (VERSION WITHOUT C.P.A.) CONTROPARTI ADATTE: (SUITABLE COUNTERPARTS:) P/N 284858-2 / 284858-4</p>

INGOMBRI DI RIFERIMENTO PER ACCOPIAMENTO CON CONTROPARTE (SPACE NEEDED DURING MATING WITH COUNTERPART)

CONNETTORI IN FASE DI ACCOPIAMENTO (CONNECTORS DURING MATING PHASE)	CONNETTORI ACCOPIATI (MATED CONNECTORS)
SCALE 2:1	SCALE 2:1

THIS DRAWING IS A CONTROLLED DOCUMENT.		DWN A. PLAZIO 03MAY2002	STE TE Connectivity
DIMENSIONS: mm		CHK C. PIA 06MAY2002	
TOLERANCES UNLESS OTHERWISE SPECIFIED:		APVD A. GENIA 06MAY2002	
0 PLC ±0.3 1 PLC ±0.2 2 PLC ±0.1 3 PLC ± 4 PLC ± ANGLES ±1°		NAME AMP MCP 1.5/2.8 SOCKET HOUSING 12 POS. ASS'Y-UNSEALED (CONNETTORE IBRIDO 12 VIE)	
MATERIAL SEE TABLE	FINISH SEE TABLE	PRODUCT SPEC 108-20243	SIZE A2
Customer Drawing		APPLICATION SPEC 411-20071	CAGE CODE -
		WEIGHT 12.35g	DRAWING NO C-284853
		SCALE 2:1	RESTRICTED TO -
		SHEET 2 OF 2	REV D1