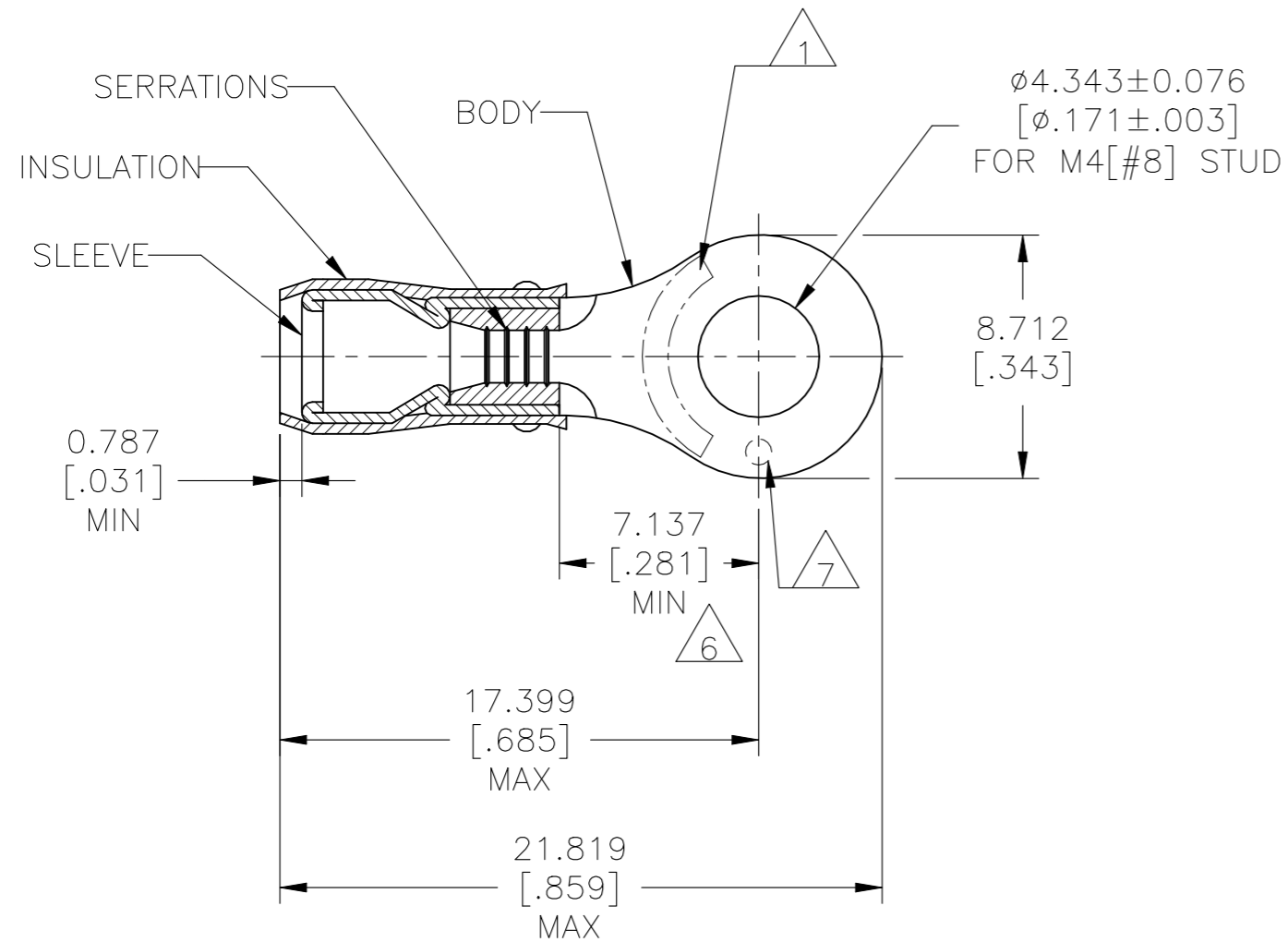


P	LTR	DESCRIPTION	DATE	DWN	APVD
G		REVISED PER ECR-23-181664	04AUG2023	SA	DSC

AMP WIRE RANGE	Listed FILE E13288	LR7189 Certified
16-14 AWG SOLID OR STRANDED	16-14AWG SOLID OR STRANDED	16-14AWG SOLID OR STRANDED



- 1 STAMP AMP 16-14* APPROX AS SHOWN.
- 2 WIRE INSULATION DIAMETER: $\phi 2.667[.105]$ TO $\phi 3.810[.150]$
- 3 BODY MATERIAL THK: $0.787 \pm 0.051[.031 \pm .002]$
- 4 FINISH:
BODY & SLEEVE - TIN PLATE $0.00254[.000100]$
MIN EXT THK PER ASTM B545
INSULATION COLOR - BLUE
- 5 MATERIAL:
BODY & SLEEVE - COPPER PER ASTM B152
INSULATION - NYLON
- 6 APPLIES FROM EDGE OF METAL WIRE BARREL
TO CENTER OF STUD HOLE.
- 7 DIMPLE STAMP MARK OPTIONAL

100	LOOSE PIECE, BOX	8-320560-1
5000	320560 ON TAPE	2-320560-1
1000	LOOSE PIECE	320560
QTY	PACKAGE TYPE	PART NO

AMP INCORPORATED CUSTOMER SERVICE SYSTEMS		MAX RECOMMENDED OPERATING TEMPERATURE: 105°C [221°F] MAX	THIS DRAWING IS A CONTROLLED DOCUMENT.		DWN JR RUTH 08JAN07	TE Connectivity				
FOR ADDITIONAL PRODUCT INFORMATION OR COPIES OF DRAWINGS AND TECHNICAL DOCUMENTS	PRODUCT INFORMATION CENTER 1-800-522-6752	VOLTAGE RATING: 300 V MAX	DIMENSIONS: mm [INCHES]	TOLERANCES UNLESS OTHERWISE SPECIFIED:	CHK T MICHIELUTTI 08JAN07				NAME	
FOR APPLICATION TOOLING INFORMATION	TOOLING ASSISTANCE CENTER 1-800-722-1111	CIRCULAR MIL AREA: 1.04-2.62mm² [2,050-5,180] SOLID OR STRANDED		0 PLC ± - 1 PLC ± - 2 PLC ± - 3 PLC ± 0.127[.005] 4 PLC ± - ANGLES ± -	APVD T MICHIELUTTI 08JAN07	PRODUCT SPEC				
FOR ORDER ENTRY	1-800-526-5142	THIS DRAWING IS A CONTROLLED DOCUMENT FOR AMP INCORPORATED. IT IS SUBJECT TO CHANGE AND THE CONTROLLING ENGINEERING ORGANIZATION SHOULD BE CONTACTED FOR THE LATEST REVISION.	MATERIAL	FINISH	APPLICATION SPEC		SIZE	CAGE CODE	DRAWING NO	RESTRICTED TO
			5	4	UL 486A-B		A3	00779	C-320560	-
			CUSTOMER DRAWING		114-2157		SCALE 4:1		SHEET 1 OF 1 REV G	