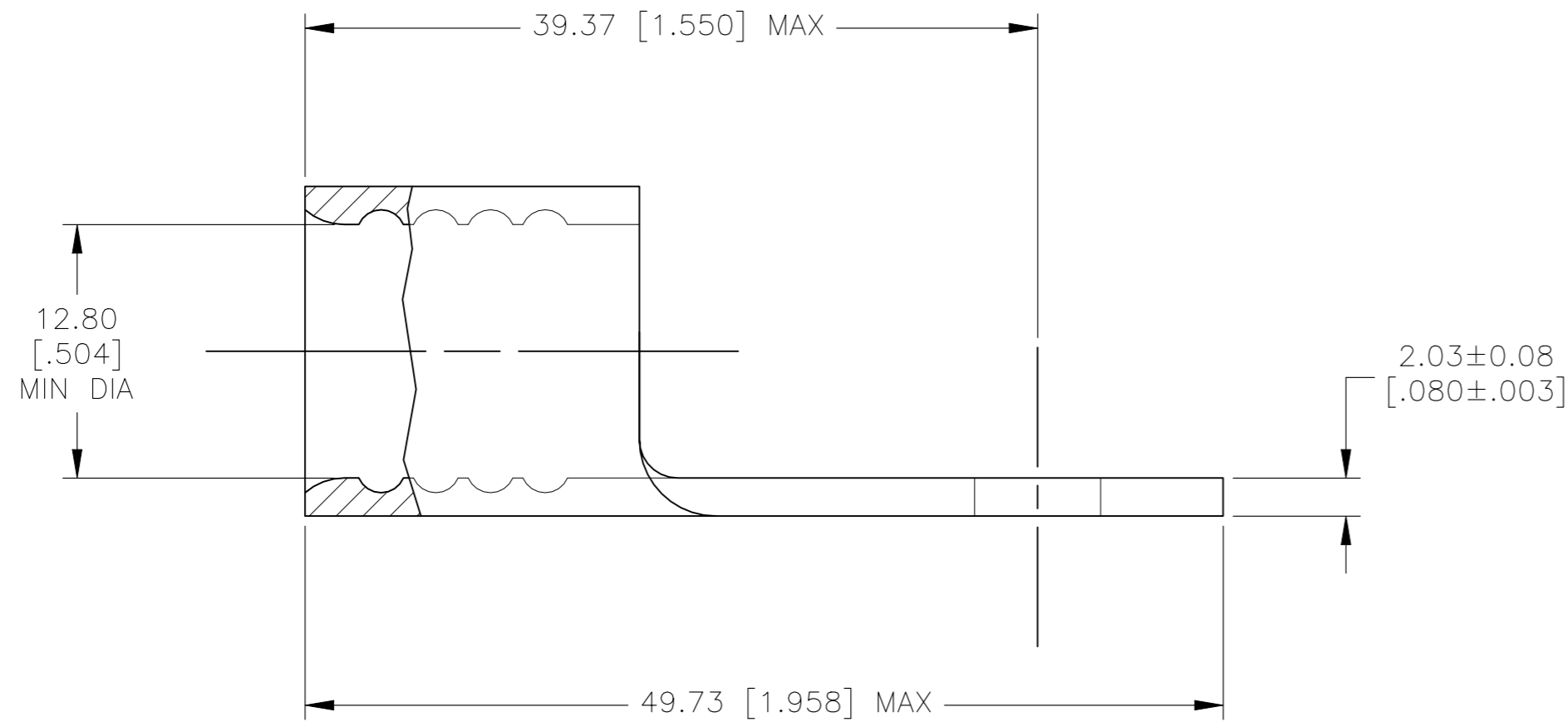
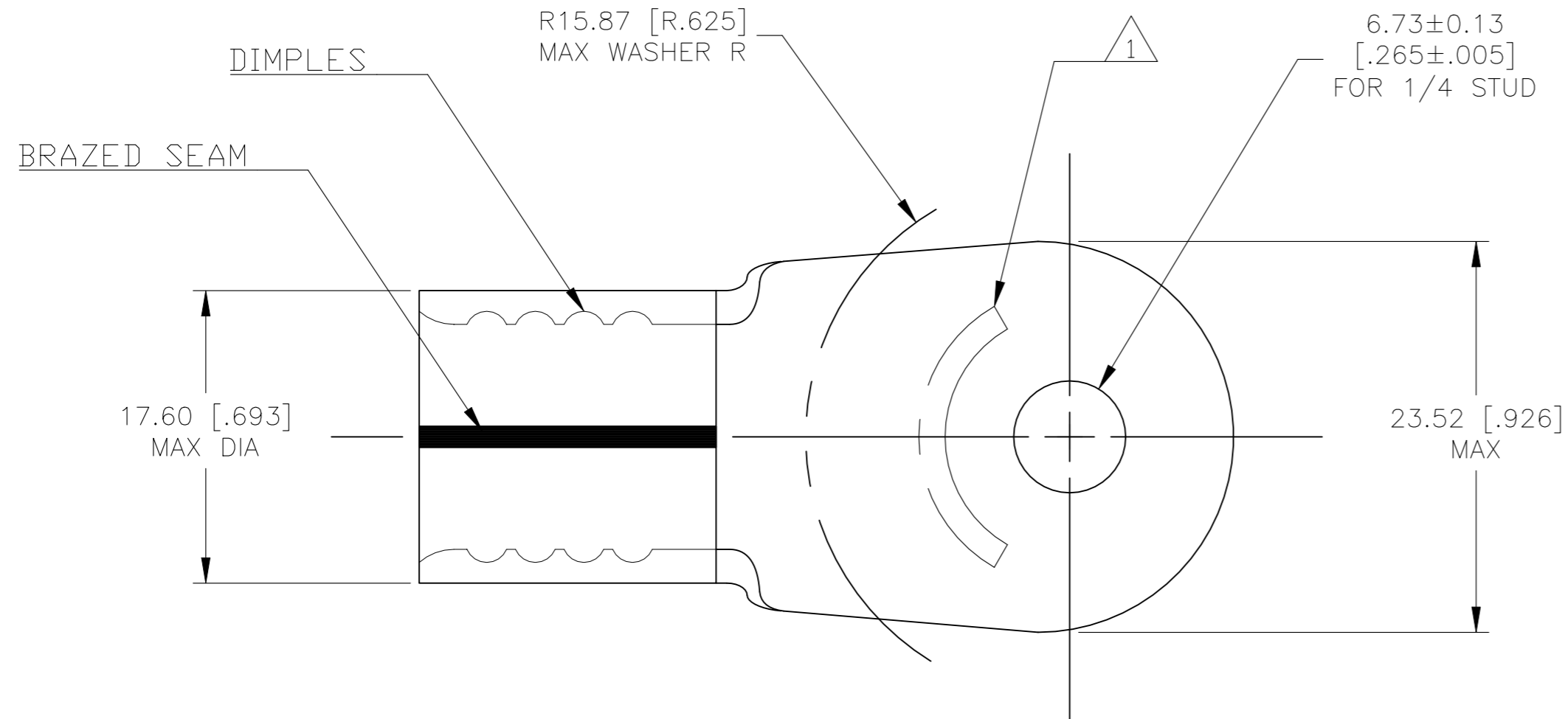


REVISIONS					
P	LTR	DESCRIPTION	DATE	DWN	APVD
	F1	REV PER ECN-22-150900	27APR2022	RK	CSD



<b>AMP</b> WIRE RANGE	Listed FILE E13288
2/0 AWG SOLID OR STRANDED	2/0 AWG STRANDED
LR7189 Certified	
2/0 AWG SOLID OR STRANDED	

- ① STAMP AMP 2/0W\* APPROX AS SHOWN
- ② COPPER PER ASTM B-152, ANNEALED
- ③ TIN PLATE 0/00254 [.000100] MIN EXT THK PER ASTM B-545

50	LOOSE PIECE	321869
QTY	PACKAGE TYPE	PART NO.

MAX RECOMMENDED OPERATING TEMPERATURE: 170°C MAX	THIS DRAWING IS A CONTROLLED DOCUMENT.		DWN DK SCHRUM 1/14/94	<b>STE</b> TE Connectivity
	VOLTAGE RATING: N/A	DIMENSIONS: MM [INCHES]	CHK AJ KAUFMAN 1/19/94	
CIRCULAR MIL AREA: 60.6-76.3mm <sup>2</sup> [119,500-150,500] SOLID OR STRANDED	TOLERANCES UNLESS OTHERWISE SPECIFIED: 0 PLC ± - 1 PLC ± - 2 PLC ± 0.20[.008] 3 PLC ± - 4 PLC ± - ANGLES ± -	MATERIAL - ②	FINISH - ③	NAME JL MECKLEY 1/19/94
				APVD JL MECKLEY 1/19/94
				TERMINAL, RING TONGUE, SOLISTRAND
				SIZE CAGE CODE DRAWING NO RESTRICTED TO
				A2 00779 C=321869 -
				WEIGHT - SCALE 2:1 SHEET 1 OF 1 REV F1
				CUSTOMER DRAWING