

4

3

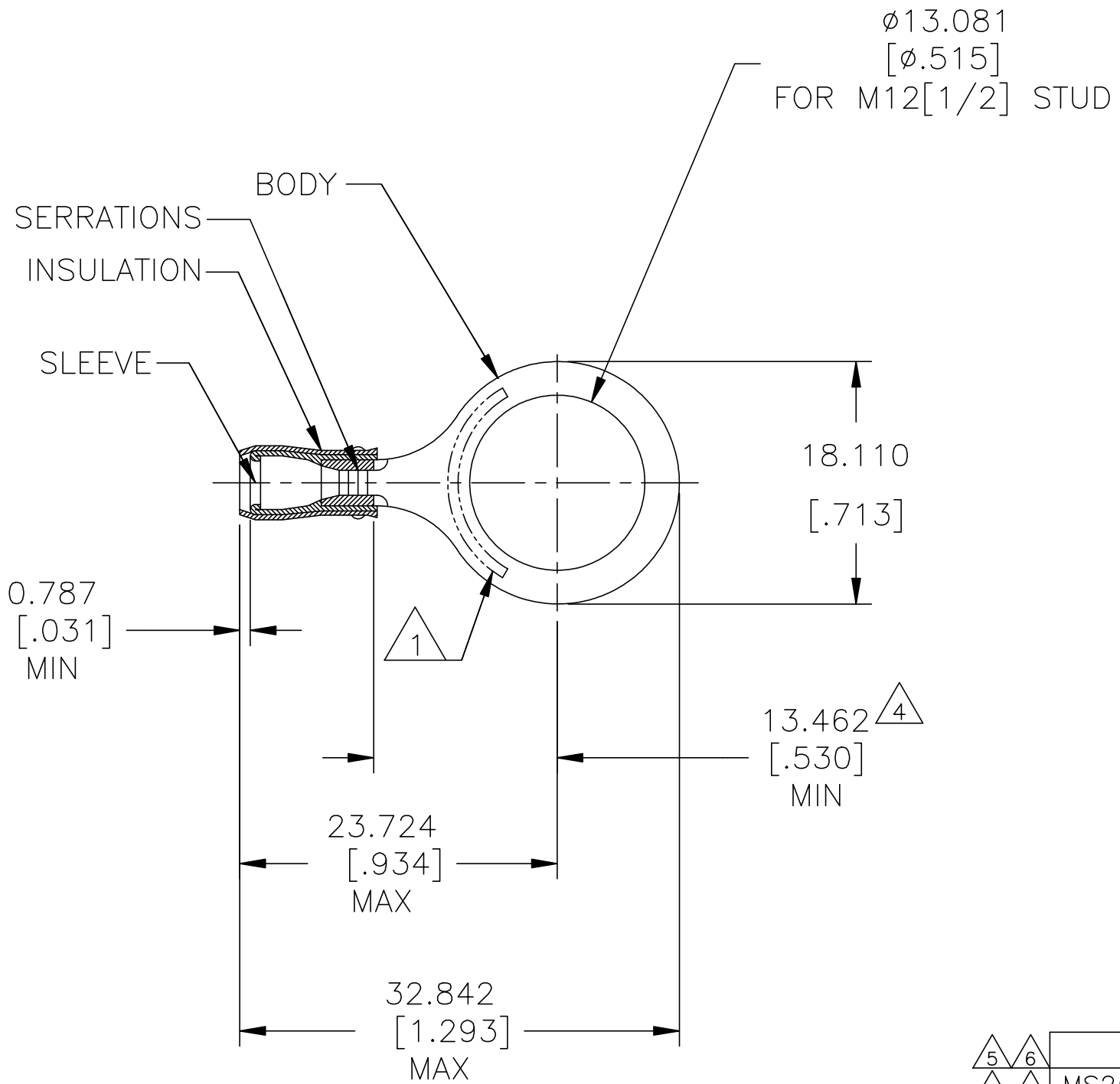
2

1

© - TE Connectivity. All Rights Reserved.

REVISIONS

P	LTR	DESCRIPTION	DATE	DWN	APVD
	R	REVISED PER ECR-23-175984	31MAY2023	BB	DSC



AMP WIRE RANGE	5 E13288 Listed	6 LR7189 Certified
22-16 AWG SOLID OR STRANDED	22-16 AWG STRANDED	22-16 AWG SOLID OR STRANDED

- 1** STAMP AMP 22-18* APPROX AS SHOWN
22-16 TERMINALS ARE STAMPED 22-18 IN
ACCORDANCE WITH MILITARY SPEC SAE AS7928
COMMERCIAL WIRE RANGE IS 22-16.
- 2** WIRE INSULATION DIA: $\phi 2.032-3.175[\phi.080-.125]$.
- 3** BODY MATERIAL THK: $0.787\pm 0.051[.031\pm.002]$.
- 4** APPLIES FROM EDGE OF METAL WIRE BARREL
TO CENTER OF STUD HOLE.
- 5** UL LISTED
- 6** CSA CERTIFIED
- 7** MATERIAL:
BODY & SLEEVE - COPPER PER ASTM B152
INSULATION - NYLON
- 8** FINISH:
BODY & SLEEVE - TIN PLATE $0.00254[.000100]$
MIN EXT THK PER ASTM B545
INSULATION COLOR - RED

5 6	-	100	LOOSE PIECE, BOX	8-328975-1
5 6	MS25036-151 CLASS 1	1000	LOOSE PIECE	328975
	MILITARY P/N AND CLASS	QUANTITY	PACKAGE TYPE	PART NO

AMP INCORPORATED
CUSTOMER SERVICE SYSTEMS

MAX RECOMMENDED OPERATING TEMPERATURE:
105°C[221°F] MAX

VOLTAGE RATING:
300 V MAX

CIRCULAR MIL AREA:
0.26-1.65mm²[509-3,260] CIR MILS
SOLID OR STRANDED

THIS DRAWING IS A CONTROLLED DOCUMENT.

DIMENSIONS: mm [INCHES]	TOLERANCES UNLESS OTHERWISE SPECIFIED:
	0 PLC ± -
	1 PLC ± -
	2 PLC ± -
	3 PLC ± 0.127[.005]
	4 PLC ± -
	ANGLES ± -

MATERIAL **7**

FINISH **8**

DWN	DK SCHRUM	9/8/93
CHK	RE HERSEY	9/8/93
APVD	ML ELLIS	9/8/93
PRODUCT SPEC	UL 486A-B 5	
APPLICATION SPEC	114-2157	
WEIGHT	-	



NAME				TERMINAL, RING TONGUE, PIDG™, WIRE SIZE, 22-16 AWG			
SIZE	CAGE CODE	DRAWING NO	RESTRICTED TO				
A3	00779	C-328975	-				
CUSTOMER DRAWING			SCALE	SHEET	REV		
			NTS	1 of 2	R		

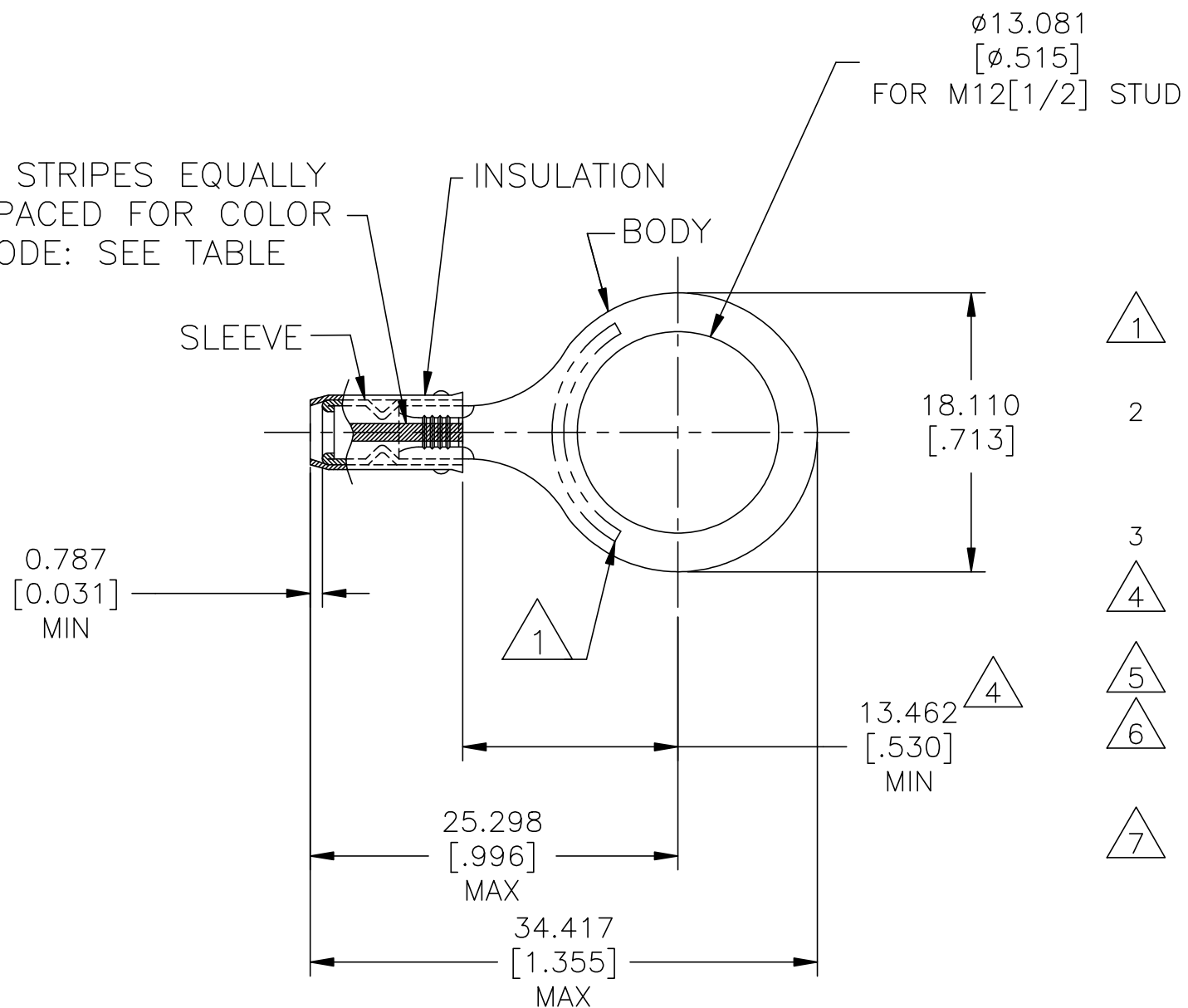
FOR ADDITIONAL PRODUCT INFORMATION OR COPIES OF DRAWINGS AND TECHNICAL DOCUMENTS
PRODUCT INFORMATION CENTER
1-800-522-6752

FOR APPLICATION TOOLING INFORMATION
TOOLING ASSISTANCE CENTER
1-800-722-1111

FOR ORDER ENTRY
1-800-526-5142

P	LTR	DESCRIPTION	DATE	DWN	APVD
-	-	SEE SHEET 1	-	-	-

3 STRIPES EQUALLY SPACED FOR COLOR CODE: SEE TABLE



Ø13.081
[Ø.515]
FOR M12[1/2] STUD

AMP WIRE RANGE	LR7189 Certified
SEE TABLE STRANDED	WIRE SIZE PER TABLE STRANDED

- 1 STAMP AMP APPROX AS SHOWN SEE TABLE BELOW.
- 2 WIRE INSULATION DIA: Ø0.965-2.794[Ø.038-.110] FOR 22 AWG
Ø1.168-2.794[Ø.046-.110] FOR 20 AWG
Ø1.422-2.794[Ø.056-.110] FOR 18 AWG
- 3 BODY MATERIAL THK: 0.787±0.051[.031±.002].
- 4 APPLIES FROM EDGE OF METAL WIRE BARREL TO CENTER OF STUD HOLE.
- 5 CSA CERTIFIED
- 6 MATERIAL:
BODY & SLEEVE - COPPER PER ASTM B152
INSULATION - NYLON
- 7 FINISH:
BODY & SLEEVE - TIN PLATE 0.00254[.000100] MIN EXT THK PER ASTM B545
INSULATION COLOR - RED

MILITARY P/N AND CLASS	STRIPE COLOR	1 STAMPING	WIRE SIZE	QUANTITY	PACKAGE TYPE	PART NO
5 M7928/1-37 CLASS 1	WHITE		18*	18	1000	LOOSE PIECE 2-328975-3
5 M7928/1-28 CLASS 1	RED		20*	20	1000	LOOSE PIECE 2-328975-2
5 M7928/1-19 CLASS 1	GREEN		22*	22	1000	LOOSE PIECE 2-328975-1

AMP INCORPORATED
CUSTOMER SERVICE SYSTEMS

MAX RECOMMENDED OPERATING TEMPERATURE: 105°C[221°F] MAX

THIS DRAWING IS A CONTROLLED DOCUMENT.

DWN	DK SCHRUM	9/8/93
CHK	RE HERSEY	9/8/93
APVD	ML ELLIS	9/8/93

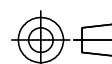


FOR ADDITIONAL PRODUCT INFORMATION OR COPIES OF DRAWINGS AND TECHNICAL DOCUMENTS
PRODUCT INFORMATION CENTER
1-800-522-6752

VOLTAGE RATING: 300 V MAX

DIMENSIONS:
mm [INCHES]

TOLERANCES UNLESS OTHERWISE SPECIFIED:



0 PLC	± -
1 PLC	± -
2 PLC	± -
3 PLC	± 0.127[0.005]
4 PLC	± -
ANGLES	± -

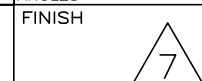
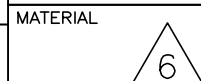
APPLICATION SPEC

NAME
TERMINAL, RING TONGUE, PIDG™,
WIRE SIZE, 22, 20 & 18 AWG

FOR APPLICATION TOOLING INFORMATION
TOOLING ASSISTANCE CENTER
1-800-722-1111

WIRE RANGE:	CIRC MIL AREA
22	0.38mm ² [754]
20	0.60mm ² [1,186]
18	0.96mm ² [1,900]

STRANDED



114-2157

SIZE	CAGE CODE	DRAWING NO	RESTRICTED TO
A3	00779	C-328975	-

FOR ORDER ENTRY
1-800-526-5142

WEIGHT -
CUSTOMER DRAWING

SCALE	SHEET	REV
NTS	2 OF 2	R