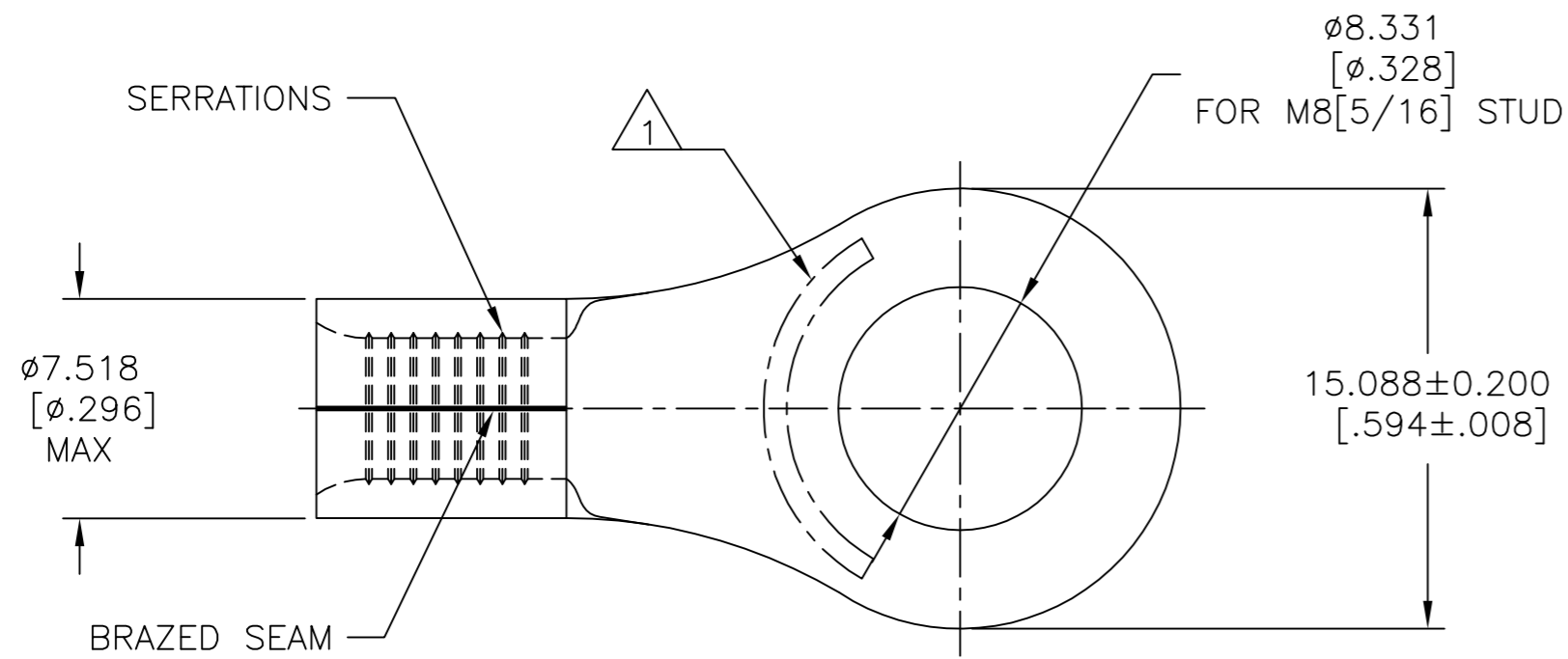


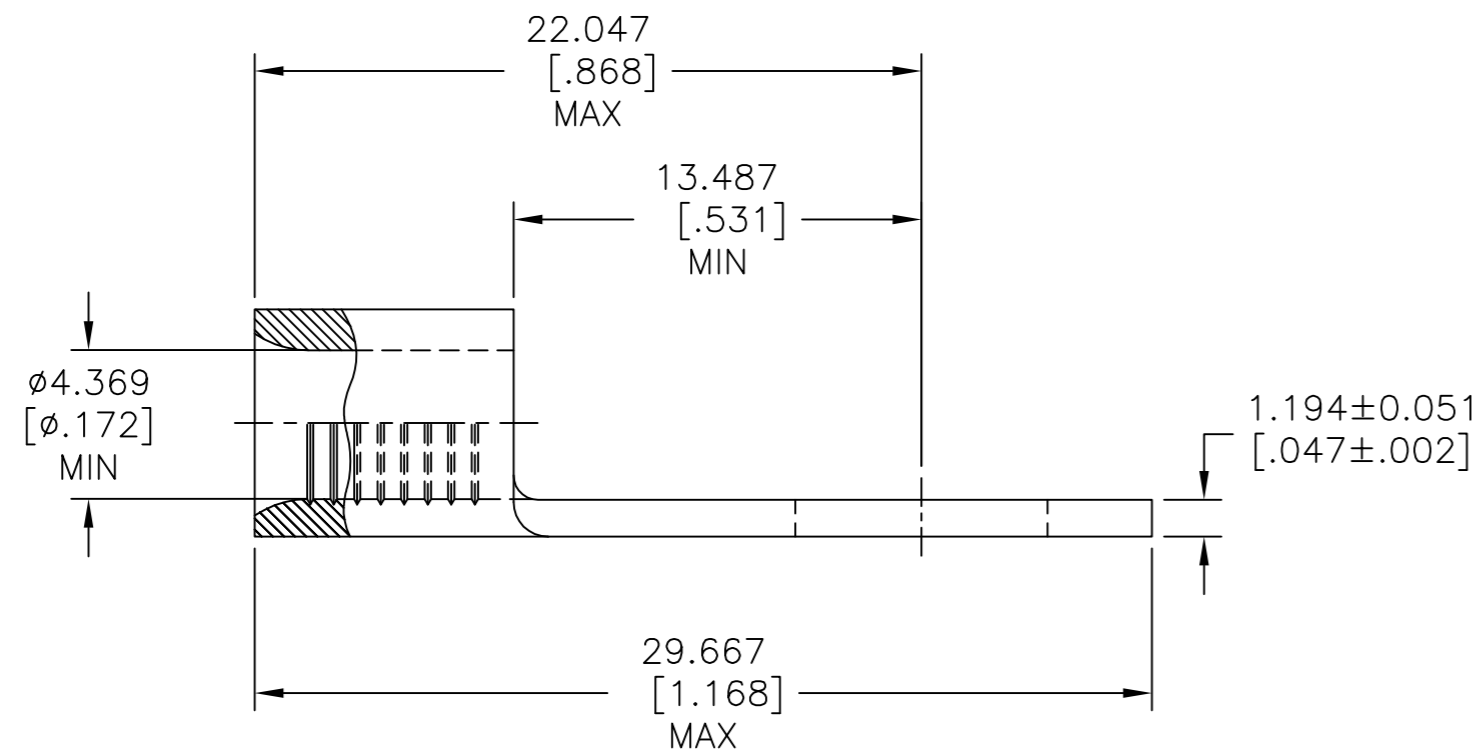
THIS DRAWING IS UNPUBLISHED. RELEASED FOR PUBLICATION  
 © COPYRIGHT - By - ALL RIGHTS RESERVED.

REVISIONS					
P	LTR	DESCRIPTION	DATE	DWN	APVD
H2		REVISED PER ECO-16-001997	15FEB2016	NK	DR
H3		REVISED PER ECO-17-015741	30OCT2017	RS	DR



<b>AMP</b> WIRE RANGE	E13288 Listed
8 AWG SOLID OR STRANDED	8 AWG STRANDED
LR7189 Certified	MILITARY P/N AND CLASS
8 AWG SOLID OR STRANDED	NOT APPLICABLE

1 STAMP AMP 8\* APPROX AS SHOWN.



AMP INCORPORATED  
CUSTOMER SERVICE SYSTEMS

MAX RECOMMENDED OPERATING TEMPERATURE:  
170°C [338°F] MAX

VOLTAGE RATING:  
NOT APPLICABLE

WIRE CROSS SECTIONAL AREA RANGE:  
6.64-10.5mm<sup>2</sup> [13,100-20,800] CIR MILS  
SOLID OR STRANDED

FOR ADDITIONAL PRODUCT INFORMATION OR COPIES OF DRAWINGS AND TECHNICAL DOCUMENTS

PRODUCT INFORMATION CENTER  
1-800-522-6752

FOR APPLICATION TOOLING INFORMATION

TOOLING ASSISTANCE CENTER  
1-800-722-1111

FOR ORDER ENTRY

1-800-526-5142

100	LOOSE PIECE, BOX	8-33462-1
1000	MOUNTED ON TAPE, REEL	2-33462-1
100	LOOSE PIECE	33462
QTY	PACKAGE TYPE	PART NO

THIS DRAWING IS A CONTROLLED DOCUMENT.		DWN TA BRINKMAN 3-24-93	TE Connectivity		
DIMENSIONS: mm [INCHES]		CHK DA PATTERSON 3-24-93			
TOLERANCES UNLESS OTHERWISE SPECIFIED:		APVD DE MILLER 3-24-93	NAME TERMINAL, RING TONGUE, SOLISTRAND 8 AWG		
0 PLC ± - 1 PLC ± - 2 PLC ± - 3 PLC ± 0.127[.005] 4 PLC ± - ANGLES ± -		PRODUCT SPEC UL486 A-B	SIZE A2	CAGE CODE 00779	DRAWING NO C=33462
MATERIAL COPPER PER ASTM B-152 ANNEALED		FINISH TIN PLATE 0.00254[.000100] MIN THK PER ASTM B545	WEIGHT -	SCALE 4:1	SHEET 1 OF 1
CUSTOMER DRAWING			RESTRICTED TO -	REV H3	