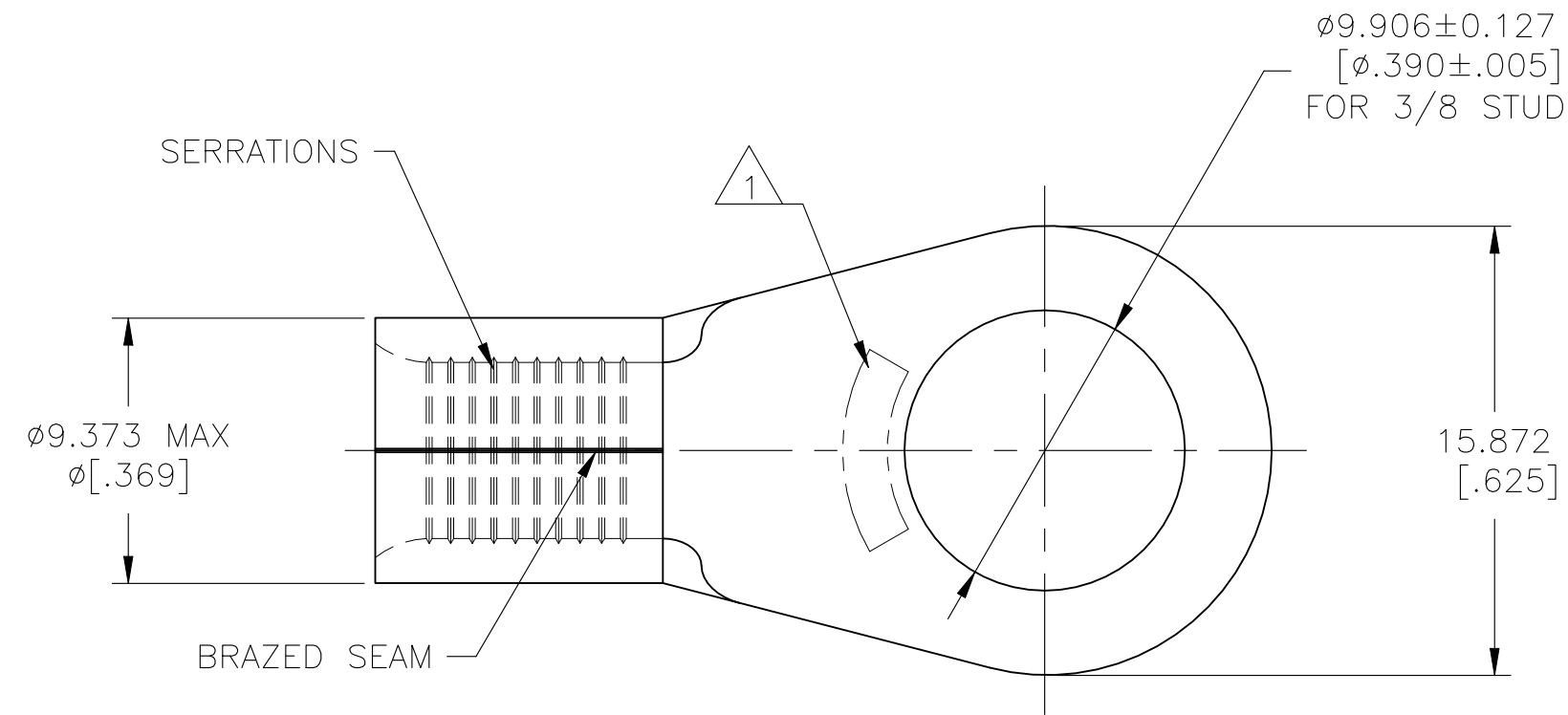


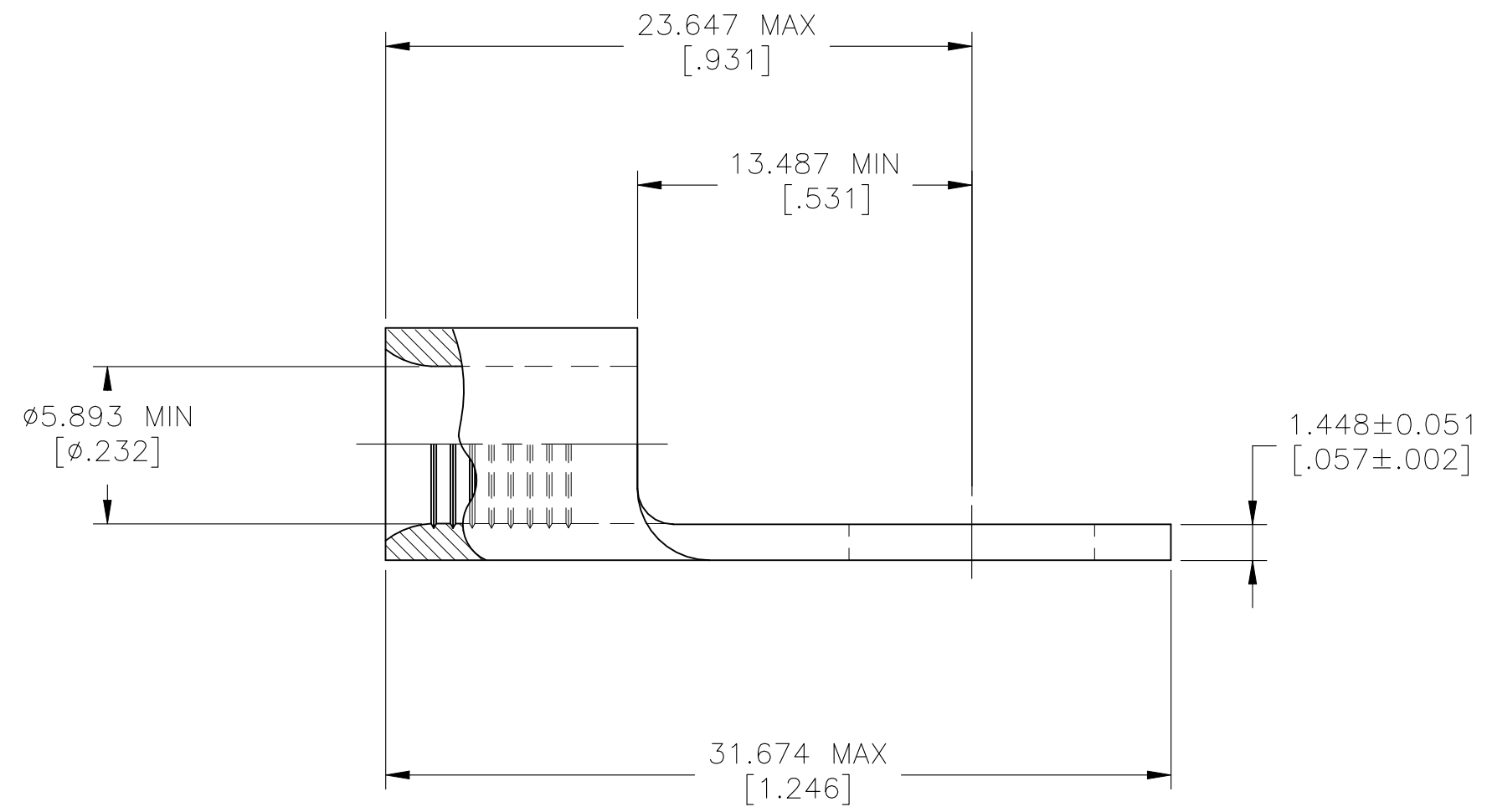
REVISIONS				
P	LTR	DESCRIPTION	DATE	APVD
	M4	REVISED PER ECN-22-150900	22APR2022	RK CSD



AMP WIRE RANGE	E13288 Listed
6 AWG SOLID OR STRANDED	6 AWG STRANDED

LR7189 Certified
6 AWG SOLID OR STRANDED

- 1 STAMP AMP 6* APPROX AS SHOWN
- 2 UL 486 A-B



AMP INCORPORATED CUSTOMER SERVICE SYSTEMS		MAX RECOMMENDED OPERATING TEMPERATURE: 170° C [338°F] MAX
FOR ADDITIONAL PRODUCT INFORMATION OR COPIES OF DRAWINGS AND TECHNICAL DOCUMENTS	PRODUCT INFORMATION CENTER 1-800-522-6752	VOLTAGE RATING: NOT APPLICABLE
FOR APPLICATION TOOLING INFORMATION	TOOLING ASSISTANCE CENTER 1-800-722-1111	WIRE CROSS SECTIONAL AREA RANGE: 10.5-16.8mm ² [20,800-33,100] CIR MILS SOLID OR STRANDED
FOR ORDER ENTRY	1-800-526-5142	

THIS DRAWING IS A CONTROLLED DOCUMENT.	
DIMENSIONS: mm [INCHES]	TOLERANCES UNLESS OTHERWISE SPECIFIED:
	0 PLC ± -
	1 PLC ± -
	2 PLC ± -
	3 PLC ± 0.127[.005]
	4 PLC ± -
	ANGLES ± -
MATERIAL COPPER-55 ANNEALED	FINISH TIN PLATE 0.0025 MIN THK PER ASTM B545

DWN TA BRINKMAN 3-24-93	3-24-93
CHK DA PATTERSON 3-24-93	3-24-93
APVD DE MILLER 3-24-93	3-24-93
PRODUCT SPEC	
APPLICATION SPEC	
WEIGHT	-
CUSTOMER DRAWING	

25	LOOSE PIECE, BOX	8-33467-3
750	TAPE MOUNTED	2-33467-3
100	LOOSE PIECE	33467
QUANTITY	PACKAGE TYPE	PART NO

TE Connectivity			
NAME TERMINAL, RING TONGUE, SOLISTRAND™ 6 AWG			
SIZE A2	CAGE CODE 00779	DRAWING NO C-33467	RESTRICTED TO
SCALE 4:1		SHEET 1 of 1	REV M4