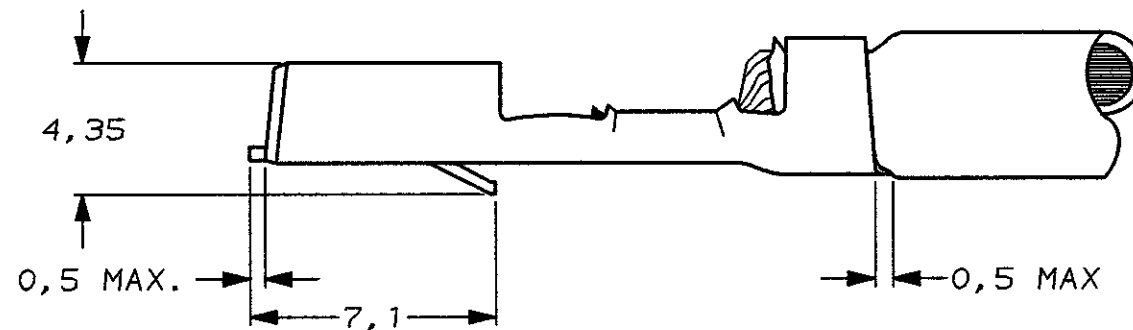
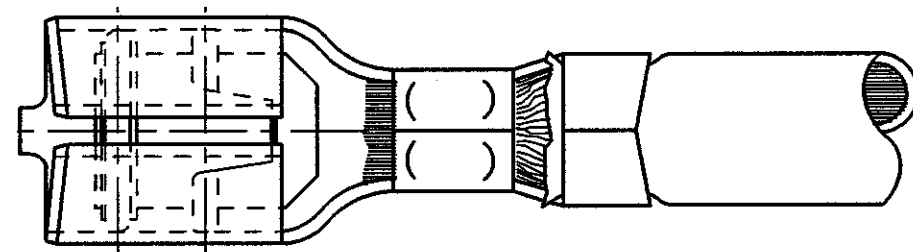
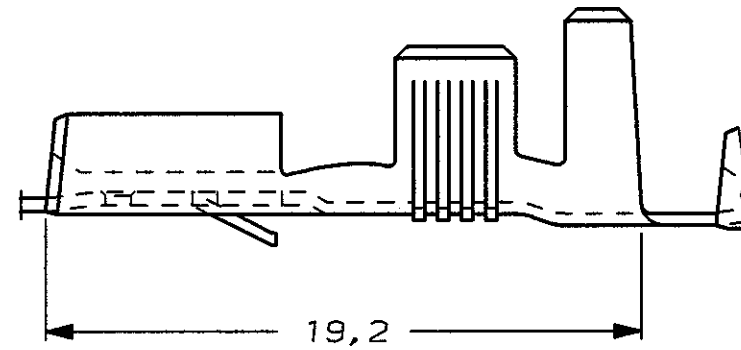
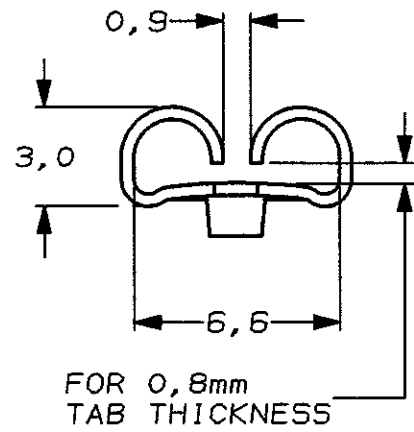
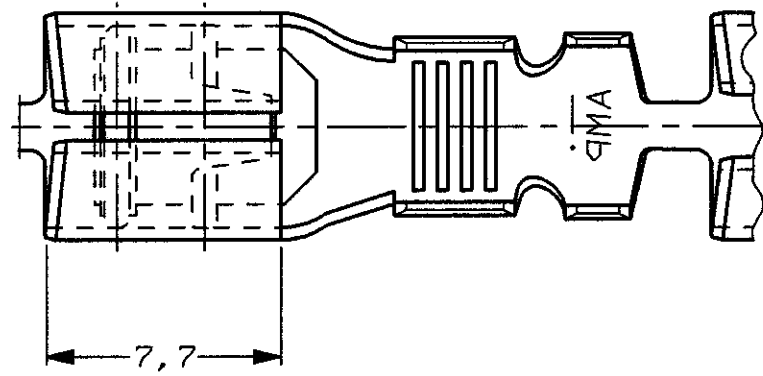
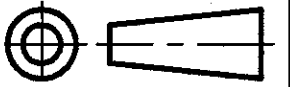


DO NOT SCALE
DIMENSIONS IN mm

METRIC

THIRD ANGLE
PROJECTION



WIRE RANGE :
0,5-1,5 mm²
INSULATION RANGE :
1,2-2,4 DIA.

NOTES:

- 1 FOR USE ON STANDARD AND MINIATURE APPLICATORS.
- 2 REELED WITH PAPER COVER.

NOTES	FINISH	MATERIAL	PARTNUMBER
	TINPLATED	PH. BRONZE	338052-4
-	-	-	CUSTOMER DRAWING FOR REFERENCE ONLY WILL NOT BE UPDATED
-	-	-	© COPYRIGHT 19- BY AMP HOLLAND B.V.
-	-	-	ALL INTERNATIONAL RIGHTS RESERVED. AMP PRODUCTS MAY BE COVERED BY U.S. AND FOREIGN AND/OR PATENTS PENDING.
-	-	-	THIS DRAWING IS UNPUBLISHED
-	-	-	RELEASED FOR PUBLICATION , 19
		AMP	AMP HOLLAND B.V. 's-Hertogenbosch, The Netherlands.
		NAME	6,3 SRS FASTIN-ON RECEPTACLE
0	EH00-0501-96	P.B. P.B.	
LTR.	REVISION RECORD	DR. CHK. DATE	
DR.:	P. Beijnon	CHK.:	P. BEIJNON
APP.:	L.v. SOEST	DATE:	
DATE:	17.04.96	DATE:	
		DWG. No.	338052
		REV. LTR.	0
		SHEET	1 OF 1
			A3