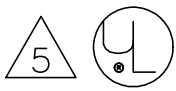
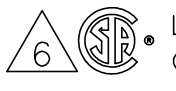
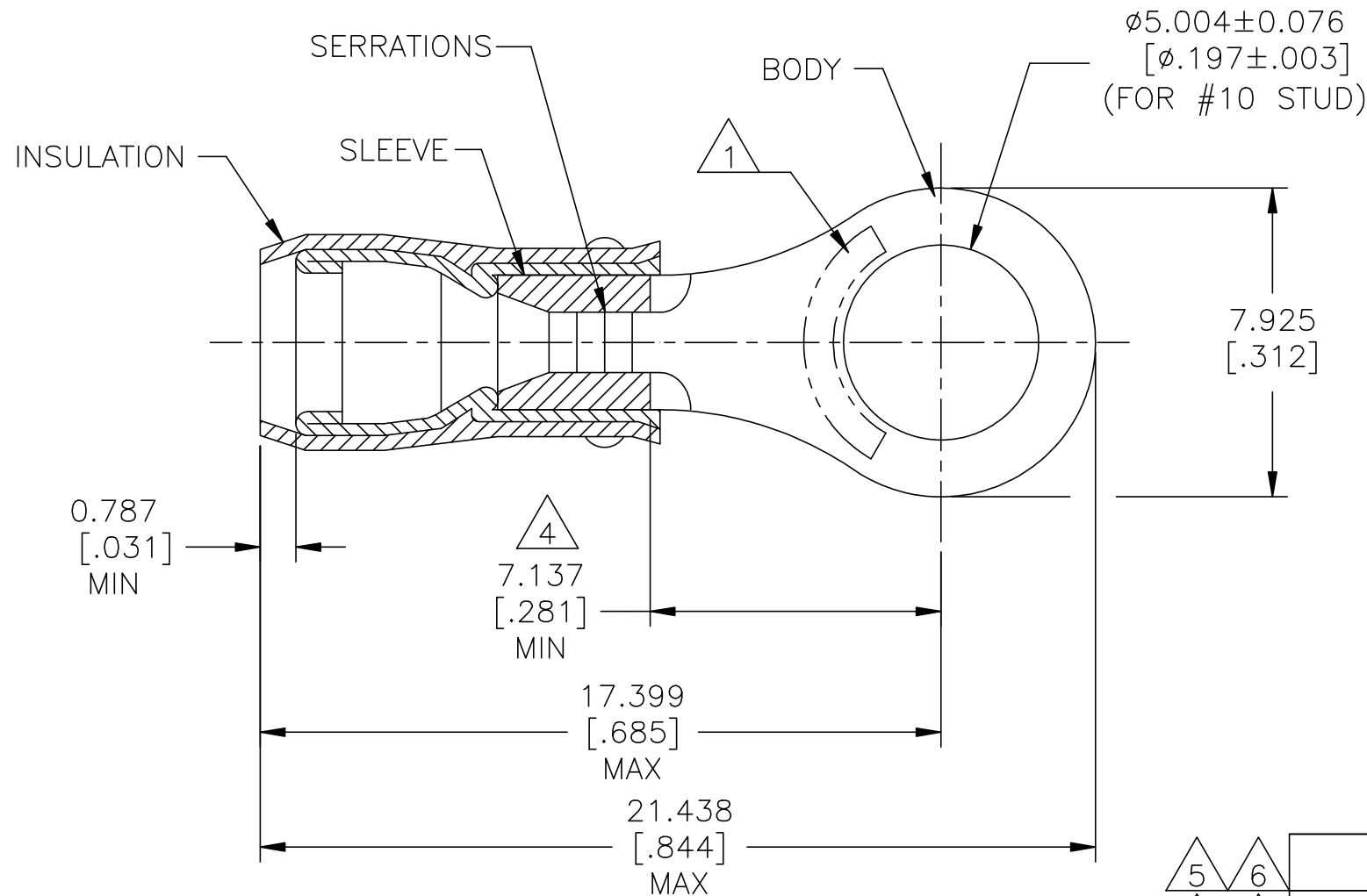
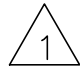










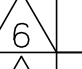
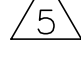
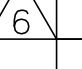
REVISIONS

P	LTR	DESCRIPTION	DATE	DWN	APVD
	AB	REVISED PER ECR-23-175984	30MAY2023	BB	DSC

AMP WIRE RANGE	 E13288 Listed	 LR7189 Certified
22-16 AWG SOLID OR STRANDED	22-16 AWG STRANDED	22-16 AWG SOLID OR STRANDED



-  STAMP AMP 22-18* APPROX AS SHOWN
22-16 TERMINALS ARE STAMPED 22-18 IN
ACCORDANCE WITH MILITARY SPEC SAE AS7928
COMMERCIAL WIRE RANGE IS 22-16.
- 2 WIRE INSULATION DIA : $\phi 2.032-3.175[\phi 0.080-.125]$.
- 3 BODY MATERIAL THK: $0.787\pm 0.051[.031\pm .002]$.
-  APPLIES FROM EDGE OF METAL WIRE BARREL
TO CENTER OF STUD HOLE.
-  UL LISTED
-  CSA CERTIFIED
-  MATERIAL:
BODY & SLEEVE - COPPER PER ASTM B152
INSULATION - NYLON
-  FINISH:
BODY & SLEEVE - TIN PLATE $0.00254[.000100]$ MIN EXT THK PER ASTM B545
INSULATION COLOR - RED

 	-	100	LOOSE PIECE, BOX	6-36153-1
 	-	5000	ON TAPE, REEL	2-36153-2
 	MS25036-103 CLASS 1	1000	LOOSE PIECE	36153
	MILITARY P/N AND CLASS	QUANTITY	PACKAGE TYPE	PART NO

AMP INCORPORATED
CUSTOMER SERVICE SYSTEMS

MAX RECOMMENDED OPERATING TEMPERATURE:
105°C[221°F] MAX

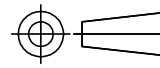


VOLTAGE RATING:
300 V MAX


CIRCULAR MIL AREA:
 $0.26-1.65\text{mm}^2[509-3,260]$ CIR MILS
SOLID OR STRANDED

FOR ADDITIONAL PRODUCT INFORMATION OR COPIES OF DRAWINGS AND TECHNICAL DOCUMENTS	PRODUCT INFORMATION CENTER 1-800-522-6752
FOR APPLICATION TOOLING INFORMATION	TOOLING ASSISTANCE CENTER 1-800-722-1111
FOR ORDER ENTRY	1-800-526-5142

THIS DRAWING IS A CONTROLLED DOCUMENT FOR AMP INCORPORATED. IT IS SUBJECT TO CHANGE AND THE CONTROLLING ENGINEERING ORGANIZATION SHOULD BE CONTACTED FOR THE LATEST REVISION.

THIS DRAWING IS A CONTROLLED DOCUMENT.

DIMENSIONS: mm [INCHES]	TOLERANCES UNLESS OTHERWISE SPECIFIED: 0 PLC ± - 1 PLC ± - 2 PLC ± - 3 PLC ± 0.127[.005] 4 PLC ± - ANGLES ± -
	FINISH 
MATERIAL 	

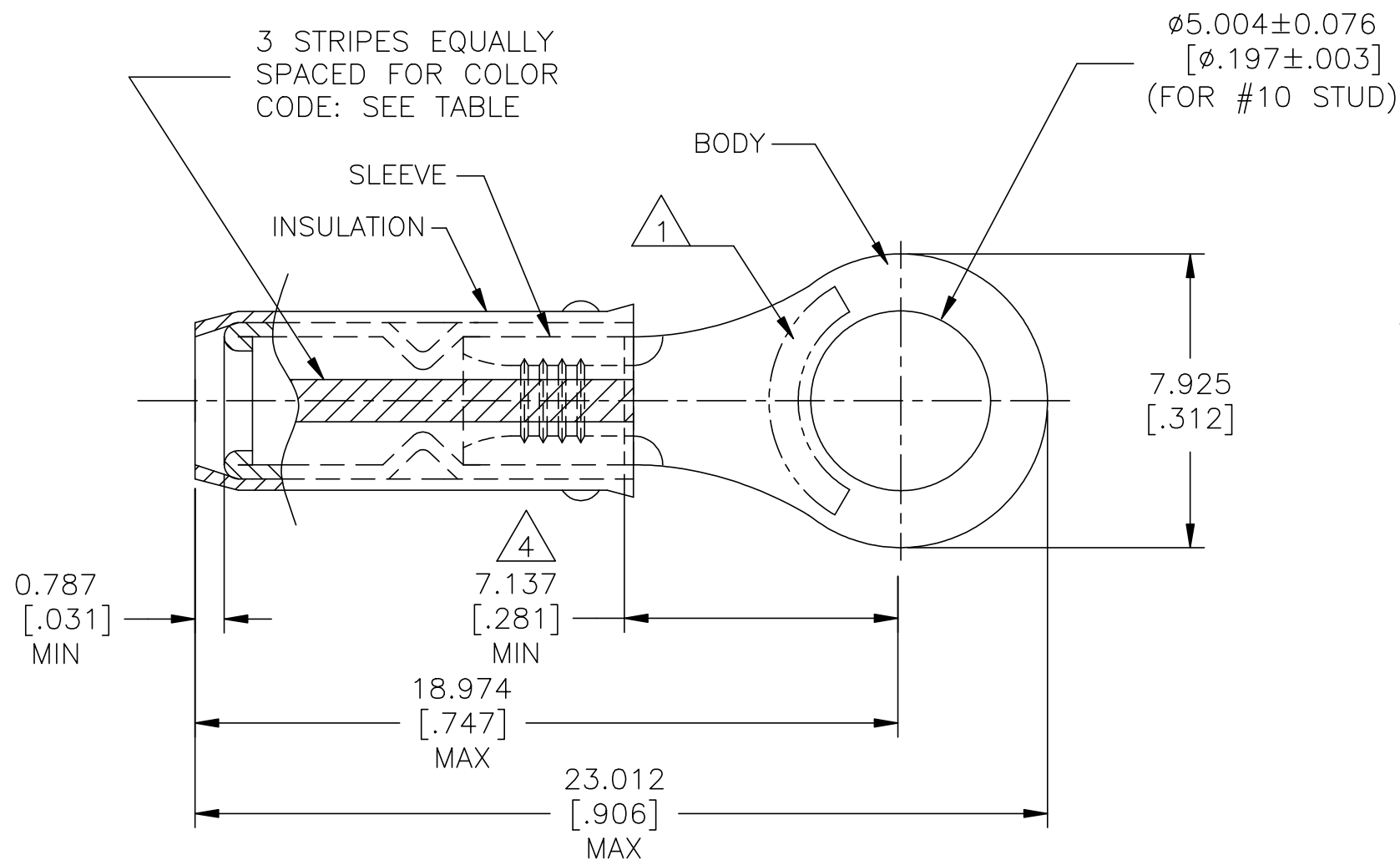
DWN	DK SCHRUM	9/8/93
CHK	RE HERSEY	9/8/93
APVD	ML ELLIS	9/8/93
PRODUCT SPEC	UL 486A-B 	
APPLICATION SPEC	114-2157	
WEIGHT	-	
CUSTOMER DRAWING		



NAME TERMINAL, RING TONGUE, PIDG™ WIRE SIZE, 22-16 AWG			
SIZE	CAGE CODE	DRAWING NO	RESTRICTED TO
A3	00779	C-36153	-
SCALE NTS		SHEET 1 of 2	REV AB

P	LTR	DESCRIPTION	DATE	DWN	APVD
-	-	SEE SHEET 1	-	-	-

AMP WIRE RANGE	LR 7189 Certified
SEE TABLE STRANDED	WIRE SIZE PER TABLE STRANDED



- 1 STAMP AMP APPROX AS SHOWN SEE TABLE BELOW.
- 2 WIRE INSULATION DIA : $\phi 0.965-2.794[\phi 0.038-.110]$ FOR 22 AWG.
 $\phi 1.168-2.794[\phi 0.046-.110]$ FOR 20 AWG.
 $\phi 1.422-2.794[\phi 0.056-.110]$ FOR 18 AWG.
- 3 BODY MATERIAL THK: $0.787 \pm 0.051[.031 \pm .002]$.
- 4 APPLIES FROM EDGE OF METAL WIRE BARREL TO CENTER OF STUD HOLE.
- 5 CSA CERTIFIED
- 6 MATERIAL:
BODY & SLEEVE - COPPER PER ASTM B152
INSULATION - NYLON
- 7 FINISH:
BODY & SLEEVE - TIN PLATE $0.00254[.000100]$
MIN EXT THK PER ASTM B545
INSULATION COLOR - RED

5	MILITARY P/N AND CLASS	STRIPE COLOR	1	STAMPING	WIRE SIZE	QUANTITY	PACKAGE TYPE	PART NO
5	-	RED	20*	20	100	LOOSE PIECE, BOX	8-36153-1	
5	-	WHITE	18*	18	5000	ON TAPE, REEL	2-36153-9	
5	-	RED	20*	20	5000	ON TAPE, REEL	2-36153-8	
5	-	GREEN	22*	22	5000	ON TAPE, REEL	2-36153-6	
5	MS7928/1-33 CLASS 1	WHITE	18*	18	1000	LOOSE PIECE	2-36153-5	
5	M7928/1-24 CLASS 1	RED	20*	20	1000	LOOSE PIECE	2-36153-4	
5	M7928/1-15 CLASS 1	GREEN	22*	22	1000	LOOSE PIECE	2-36153-3	

**AMP INCORPORATED
CUSTOMER SERVICE SYSTEMS**

MAX RECOMMENDED OPERATING TEMPERATURE:
105°C [221°F] MAX

VOLTAGE RATING: 300 V MAX

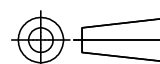
WIRE RANGE:	CIRC MIL AREA:
22	0.38mm ² [754]
20	0.60mm ² [1,186]
18	0.96mm ² [1,900]

STRANDED

THIS DRAWING IS A CONTROLLED DOCUMENT FOR AMP INCORPORATED. IT IS SUBJECT TO CHANGE AND THE CONTROLLING ENGINEERING ORGANIZATION SHOULD BE CONTACTED FOR THE LATEST REVISION.

THIS DRAWING IS A CONTROLLED DOCUMENT.

DIMENSIONS:
mm [INCHES]



TOLERANCES UNLESS OTHERWISE SPECIFIED:

0 PLC	± -
1 PLC	± -
2 PLC	± -
3 PLC	± 0.127[.005]
4 PLC	± -
ANGLES	± -

MATERIAL



FINISH



DWN 9/8/93

CHK DK SCHRUM

CHK RE HERSEY 9/8/93

APVD ML ELLIS 9/8/93

PRODUCT SPEC

APPLICATION SPEC

114-2157

WEIGHT -

CUSTOMER DRAWING



NAME
TERMINAL, RING TONGUE, I.R.,
PIDG™ WIRE SIZE, 22, 20 & 18 AWG

SIZE	CAGE CODE	DRAWING NO	RESTRICTED TO
A3	00779	C-36153	-