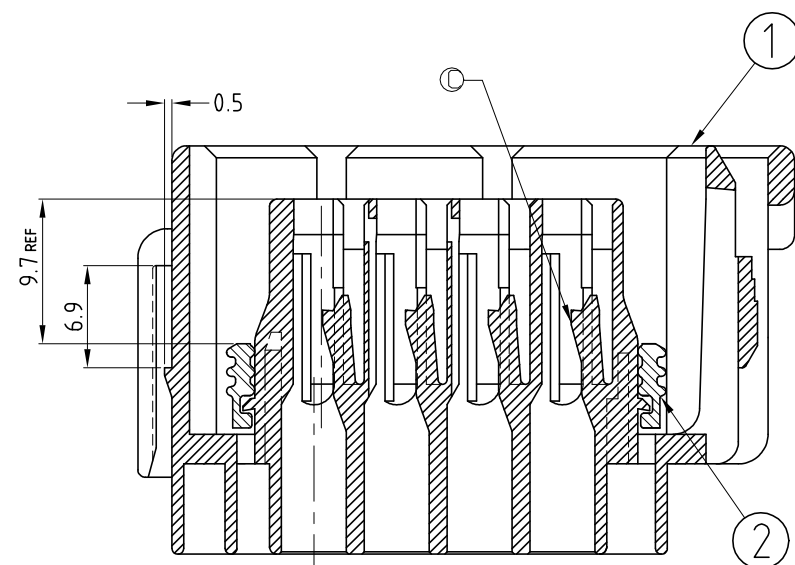
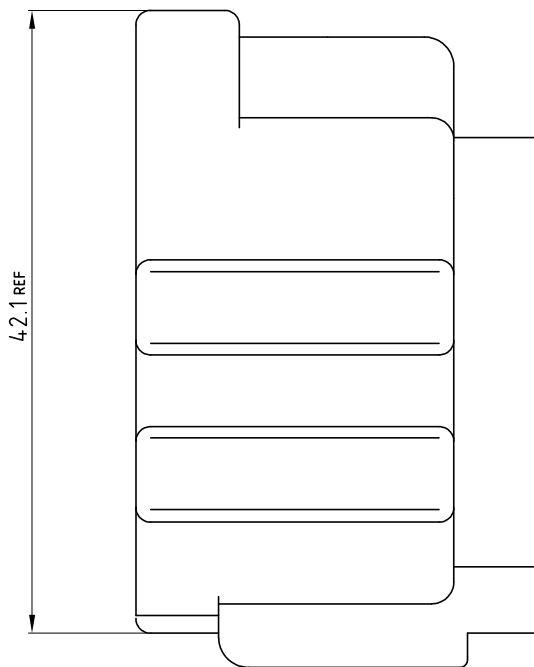
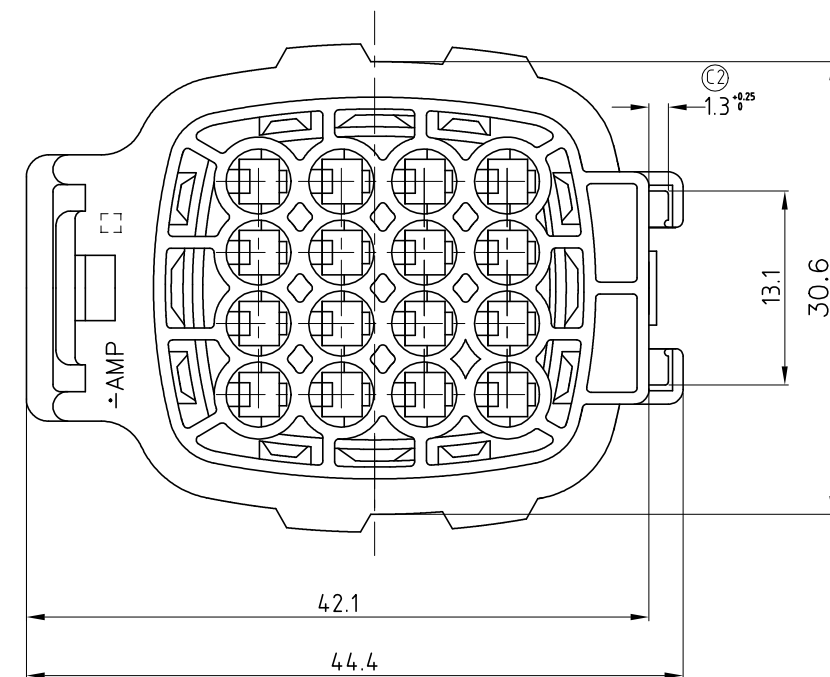
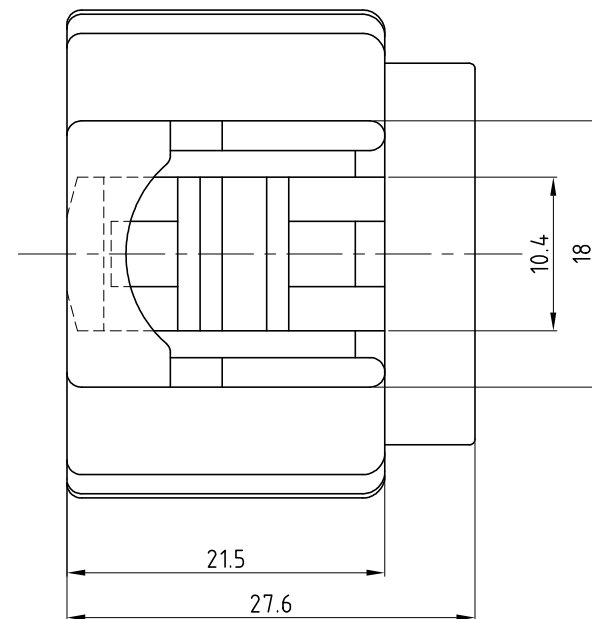
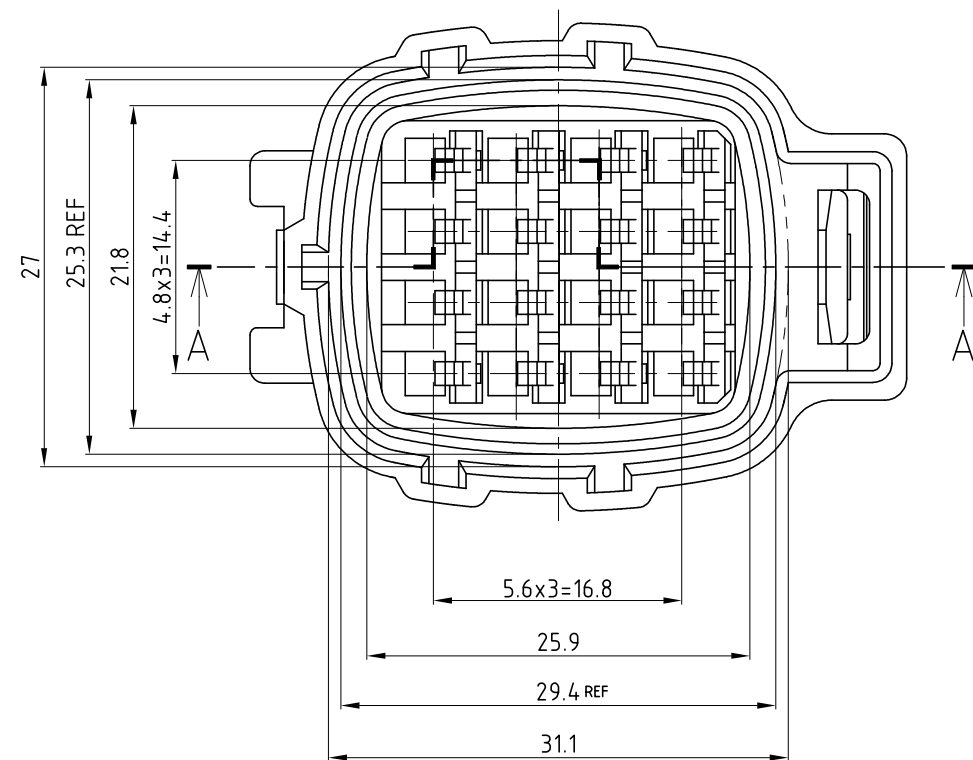


THIS DRAWING IS UNPUBLISHED. RELEASED FOR PUBLICATION ,1997 .
 © COPYRIGHT 1997 BY AMP INCORPORATED. ALL RIGHTS RESERVED.

| LOC | DIST | REVISIONS | | | | | |
|-----|------|-----------|-----|----------------------------|------------|-----|------|
| | | P | LTR | DESCRIPTION | DATE | DWN | APVD |
| DS | | | C | REVISED ECN(FC00-0170-03) | 12,DEC,03 | YH | CS |
| | | | C1 | REVISED PER ECO-11-005294) | 07,APR,11 | RK | HMR |
| | | | C2 | REVISED (ECR-19-011119) | 04.JUL.'19 | JS | YJ |



- NOTE.
- FOR CAP HOUSING P/N 368050
 - THIS PART IS COMPOSED OF PLUG HOUSING P/N 368048 AND SEAL RING P/N 368810-1/-4
 - THIS PART MUST BE USED WITH DOUBLE LOCK PLATE P/N 368049
 - APPLICABLE CLIP P/N 368121

| ASS'Y P/N | Q'TY PER ASS'Y |
|--------------|----------------|
| 1-368047 - 3 | 1 |
| 1-368047 - 1 | 1 |
| 368047 - 3 | 1 |
| 368047 - 1 | 1 |

| NO | PART NO. | DESCRIPTION | MATERIAL | COLOR | REV. | Q'TY PER ASS'Y |
|----|----------|-------------------------------------|----------|-------|------|----------------|
| 2 | 368810-4 | SEAL RING FOR EJ MKII(+) PLUG ASS'Y | SILICONE | BROWN | E | 1 |
| | 368810-1 | SEAL RING FOR EJ MKII(+) PLUG ASS'Y | NBR | BLACK | E | 1 |
| 1 | 368048-3 | EJ MKII(+) 16Pos. PLUG HSG | PBT | GRAY | B | 1 |
| | 368048-1 | EJ MKII(+) 16Pos. PLUG HSG | PBT | BLACK | B | 1 |

| | | | | | |
|---|--|---|--|--------------------------------------|--|
| THIS DRAWING IS CONTROLLED DOCUMENT FOR AMP INCORPORATED. IT IS SUBJECT TO CHANGE AND THE CONTROLLING ENGINEERING ORGANIZATION SHOULD BE CONTACTED FOR THE LATEST REVISION. | | DWN YH MA CHK BM JANG | | | |
| DIMENSIONS: MM TOLERANCES UNLESS OTHERWISE SPECIFIED: 0 <XX<10 ± 0.2 10<XX<30 ± 0.25 30<XX ± 0.3 ANGLES ± 3° | | APVD CS LEE PRODUCT SPEC --- APPLICATION SPEC --- WEIGHT --- | | | |
| 3rd ANGLE PROJECTION MATERIAL SEE TABLE FINISH | | SIZE A3 | | CAGE CODE 00779 | |
| | | DRAWING NO 368047 | | SCALE 2:1 SHEET 1 OF 1 REV C2 | |