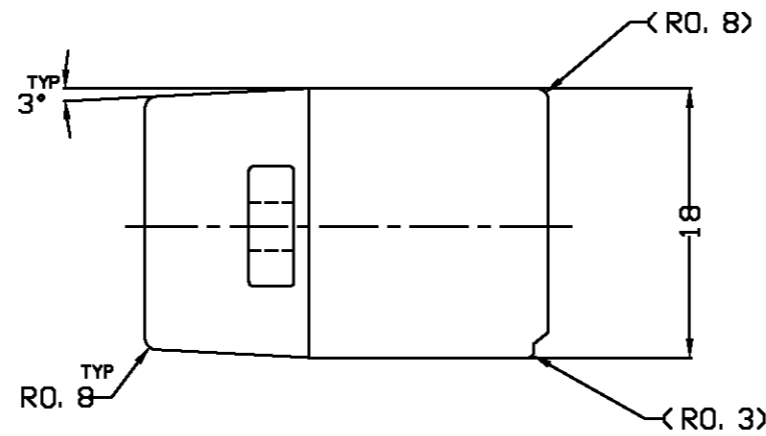
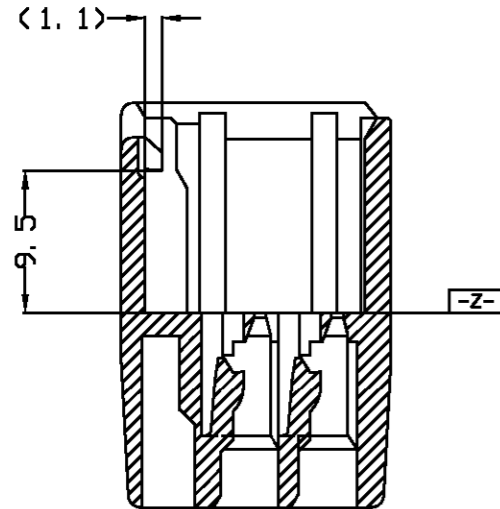
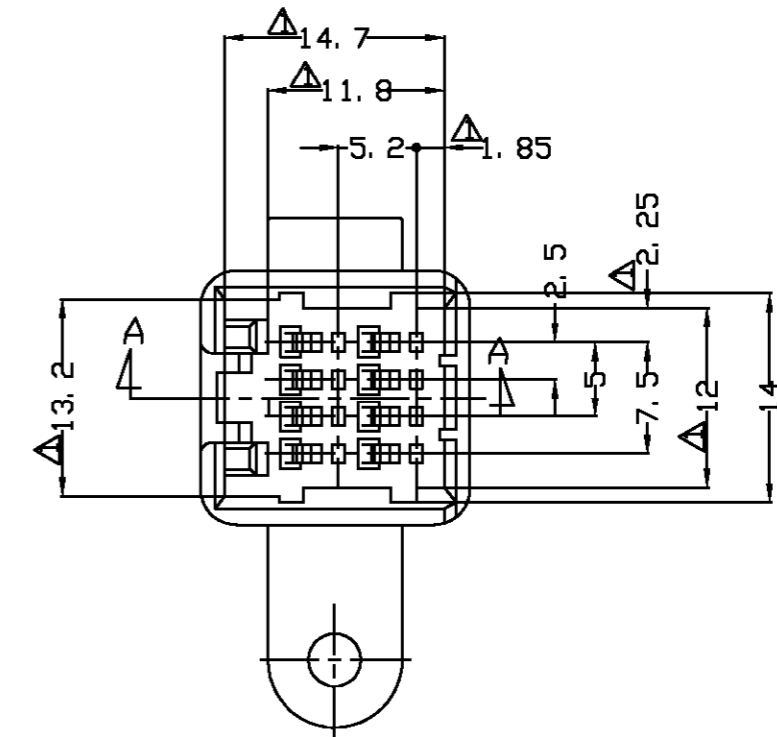
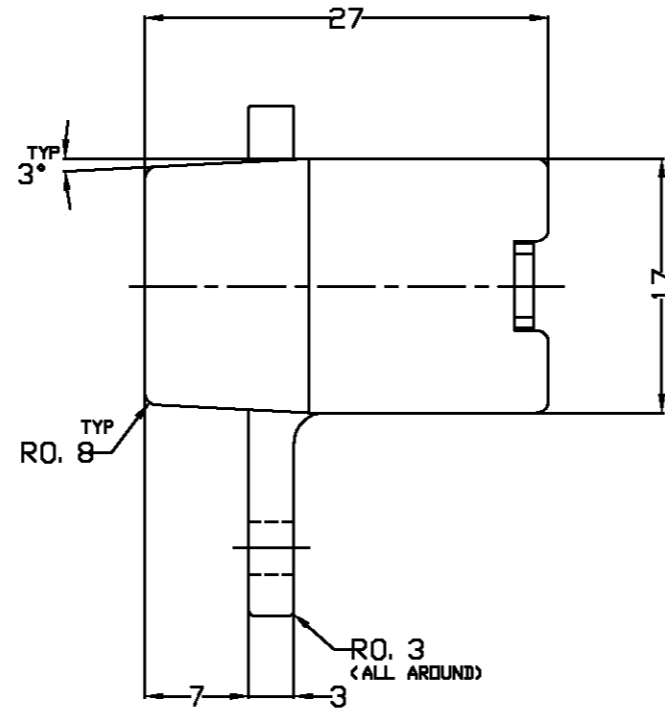
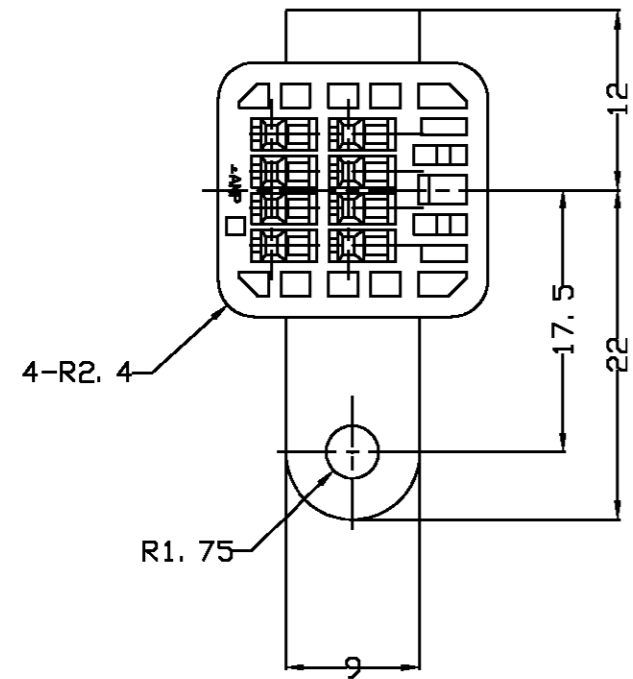


# CUSTOMER DRAWING



- ⚠ TO BE MEASURED WITHIN 2mm FORM -Z-
- 2. THE MATING PLUG HOUSING PART NUMBER: 174044
- 3. APPLICABLE CONTACT PART NUMBER: 173682

368191-2	BLACK
PART NO	COLOR

PRINT DIST.

© 1997 AMP KOREA ALL RIGHT RESERVED AMP PRODUCTS COVERED BY PATENTS AND DR PATENTS PENDING							AMP AMP KOREA			
WIRE RANGE	INSULATION DIA	NAME					8 POS. CAP HOUSING .040 SERIES MULTI-LOCK CONNECTOR (HMC)			
MATERIAL	PBT	FINISH/COLOR	SEE TABLE				TOLERANCES	SIZE	LOC	NUMBER
DR		APP					0<XX<10 ±0.2	A3	DS	3 6 8 1 9 1
CHK		REL					10<XX<30 ±0.25	SCALE	REV	SHEET
LTR	REVISION RECORD	DR	CHK	DATE			30<XX<100±0.3	3/1		
							ANGLES ±3°			