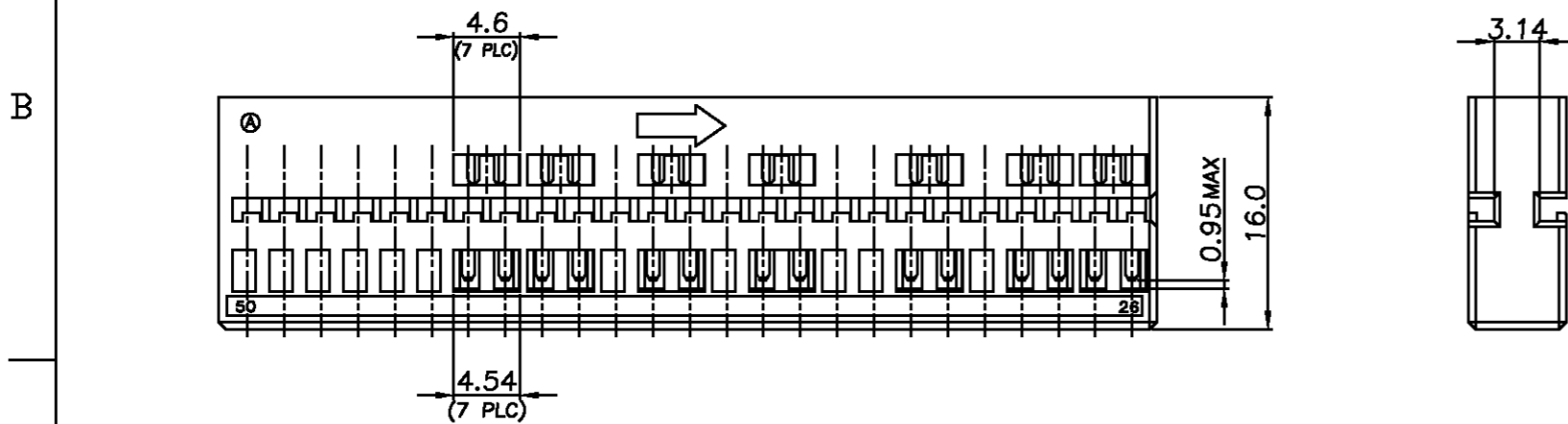
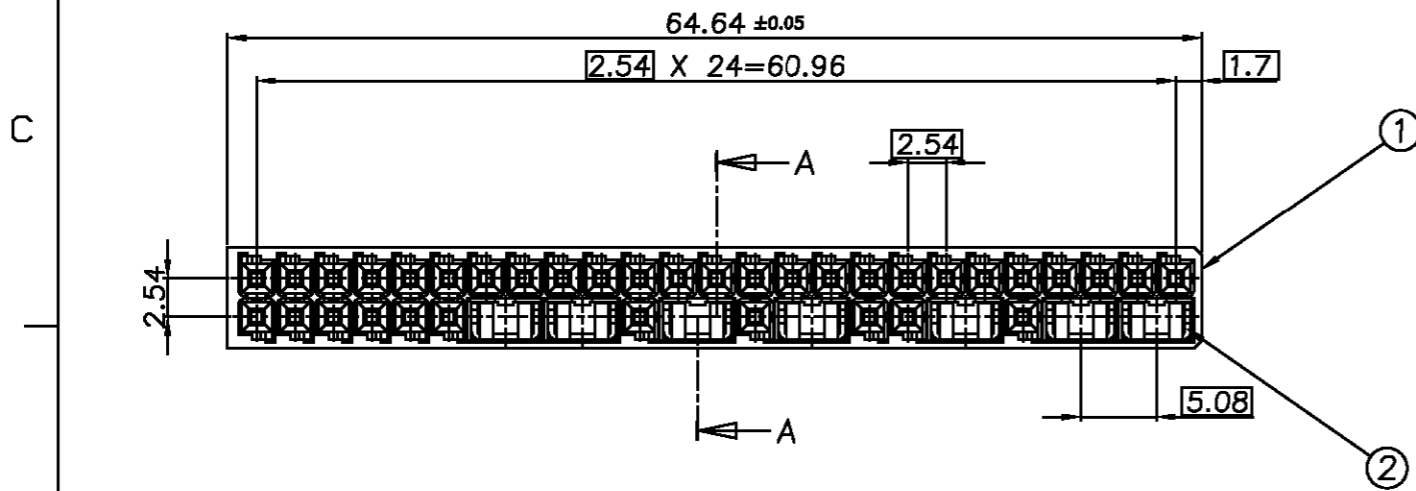
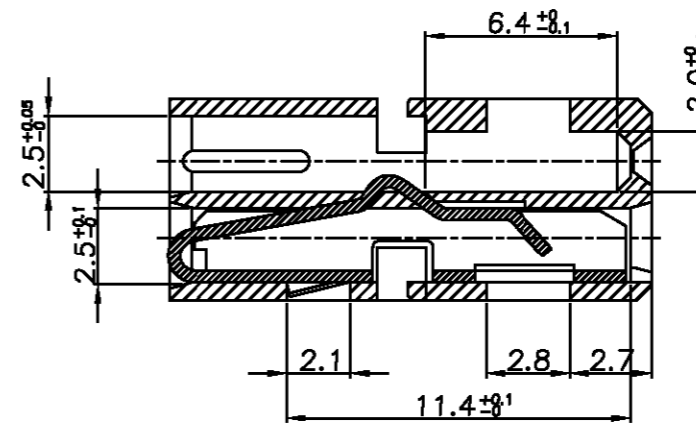
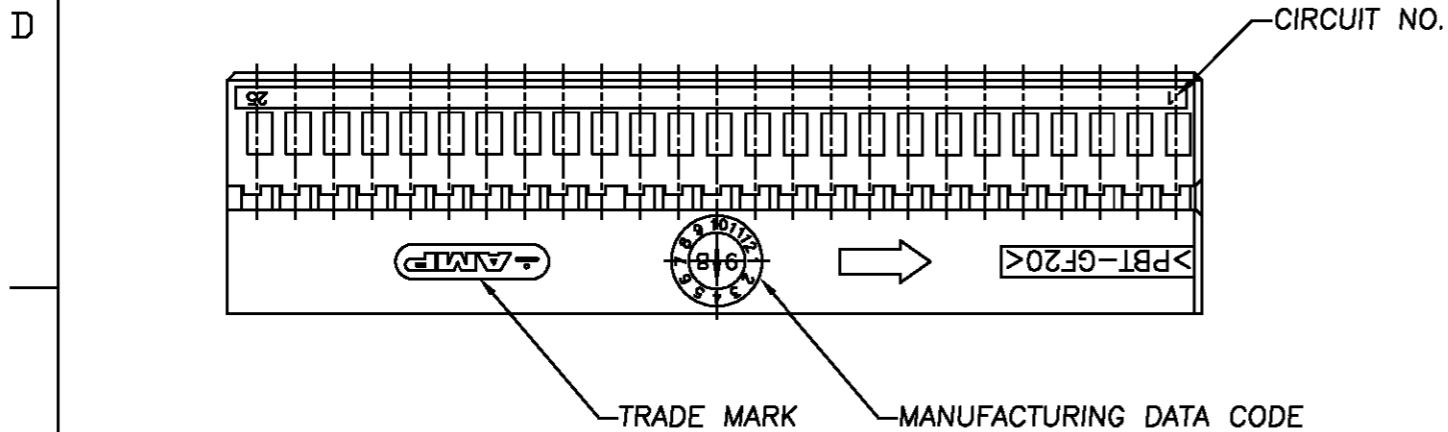


© COPYRIGHT 1997 BY AMP INCORPORATED. ALL RIGHTS RESERVED.

P	LTR	DESCRIPTION	DATE	JVN	APVD
	O	RELEASED(RD 98-120)	09/MAY '98	TD	CS
	A	REVISED(FC00-0066-00)	29/MAY '00	HS	CS
	B	REVISED(FC00-0334-04)	24/DEC/'04	CH	CS



- NOTE
- 1. APPLICABLE COVER ASS'Y : 368231
  - 2. APPLICABLE CONTACT : 928999-X, 963715-X

P/N	DESCRIPTION	Q'TY
368233-1	AIR BAG PLUG ASS'Y	1

NO	P/N	DESCRIPTION	MATERIAL	COLOR	Q'TY
2	85187	MQS SHUNT	PHOS BRONZE		7
1	368234	PLUG HSG	PBT+GF20	BLACK	1

THIS DRAWING IS A CONTROLLED DOCUMENT FOR AMP INCORPORATED. IT IS SUBJECT TO CHANGE AND THE CONTROLLING ENGINEERING ORGANIZATION SHOULD BE CONTACTED FOR THE LATEST REVISION.		AMP KOREA. kyungsan, korea	
DIMENSIONS: MM	TOLERANCES UNLESS OTHERWISE SPECIFIED: 0 < xx < 10 ± 0.1 10 < xx < 30 ± 0.2 30 < xx ± 0.25 ANGLES ± 1°	AMP	
3rd ANGLE PROJECTION		AIR BAG PLUG ASS'Y	
MATERIAL: SEE TABLE	FINISH:	SIZE: A3	CAGE CODE: 00779
		DRAWING NO: 368233	
		SCALE: 2:1	SHEET 1 OF 1 REV B