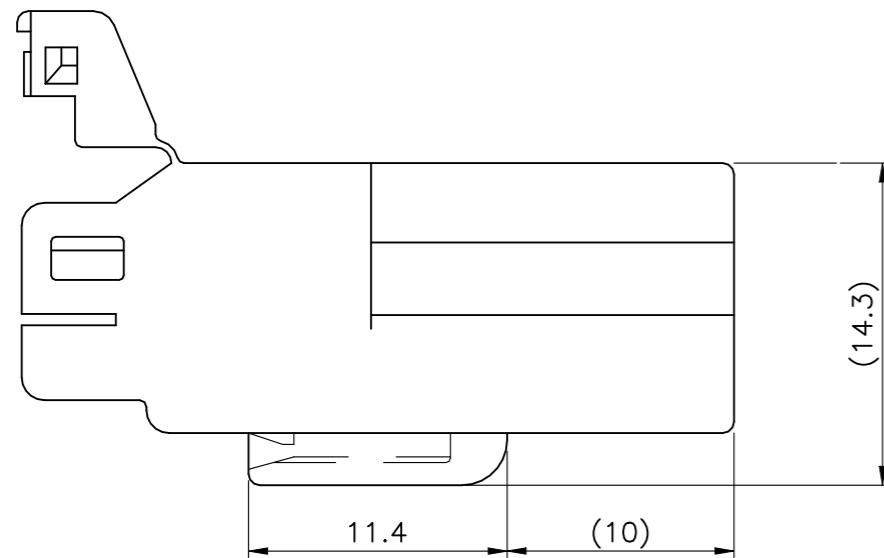
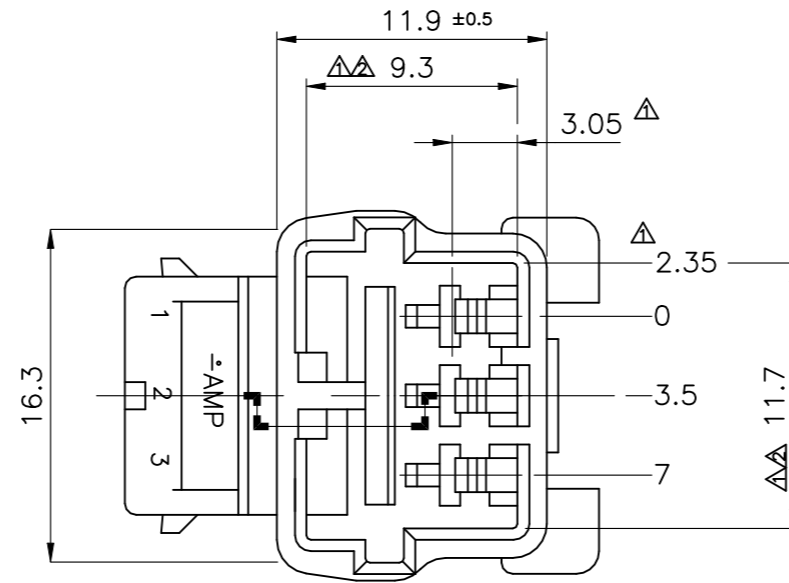
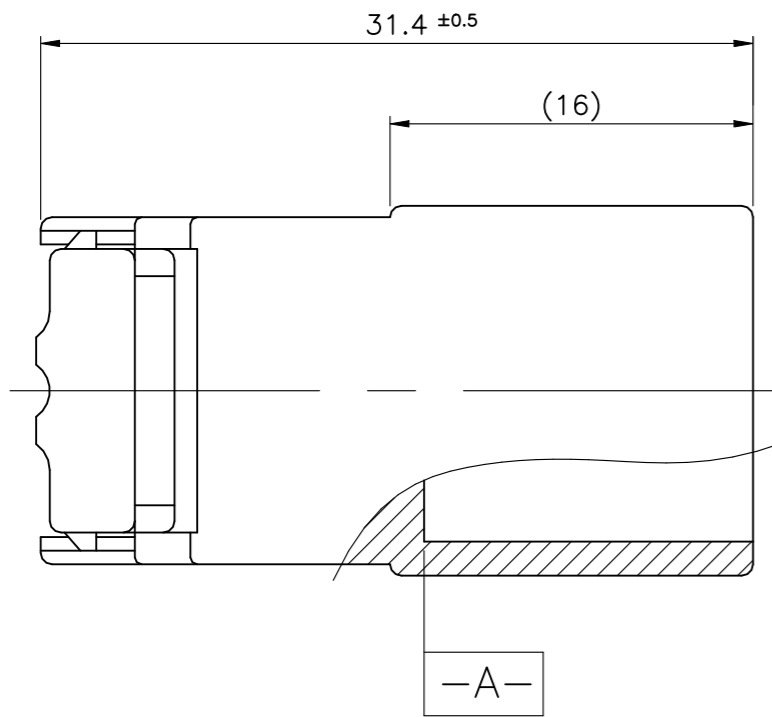


REVISIONS

P	LTR	DESCRIPTION	DATE	DWN	APVD
	A	REVISED(FC00-0038-03)	27.MAR'03	HS	CS
	A1	REVISED(ECR-19-009461)	17.JUN'19	TY	YJ
	A2	REVISED PER ECR-23-177343	19MAY2023	RK	JT



NOTES

1. TO BE MEASURED BETWEEN -A- AND 2mm.
2. TO BE MATE WITH CAP HSG SMOOTHLY.
3. APPLIED CONTACT P/N : 173633 & 173645.
4. APPLIED TAB HSG P/N : 368500.

OBSOLETE	BLACK	TRIBIT 1503(BLK)	0-368503-2 (A)
	NATURAL	TRIBIT 1503(S)	0-368503-1
	COLOR	MATERIAL	PART NO.

THIS DRAWING IS A CONTROLLED DOCUMENT.		DWN	HS BAE	27.MAR'03	TE Connectivity										
DIMENSIONS: mm		CHK	BM JANG	27.MAR'03				NAME .070 MLC 3P CAP HSG							
TOLERANCES UNLESS OTHERWISE SPECIFIED: 0 PLC ± - 1 PLC ± - 2 PLC ± - 3 PLC ± - 4 PLC ± - ANGLES ± -		APVD	CS LEE	27.MAR'03											
MATERIAL SEE TABLE		FINISH -		PRODUCT SPEC - APPLICATION SPEC - WEIGHT -			RESTRICTED TO -								
CUSTOMER DRAWING				SIZE	A3	CAGE CODE	00779	DRAWING NO	C-368503	SCALE	2:1	SHEET	1 OF 1	REV	A2