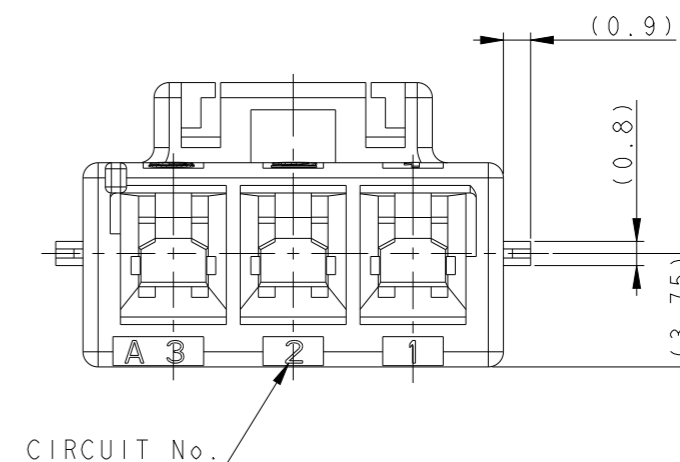
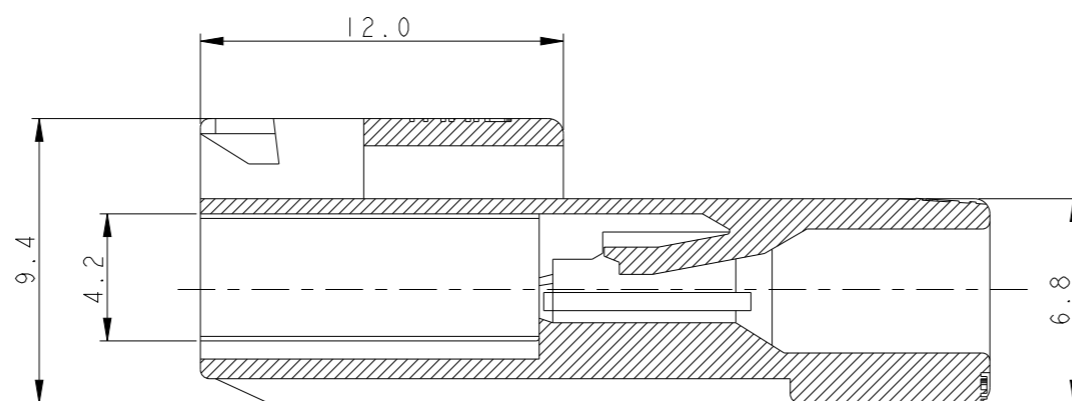
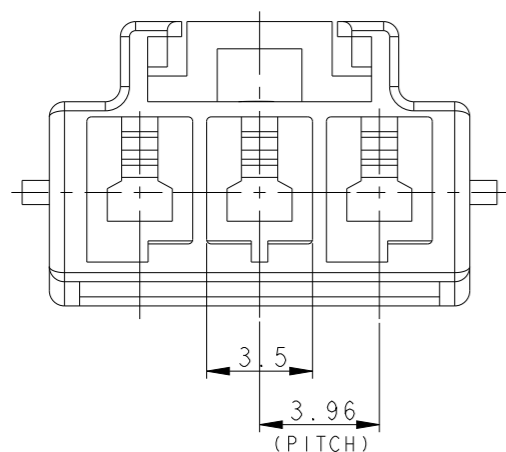
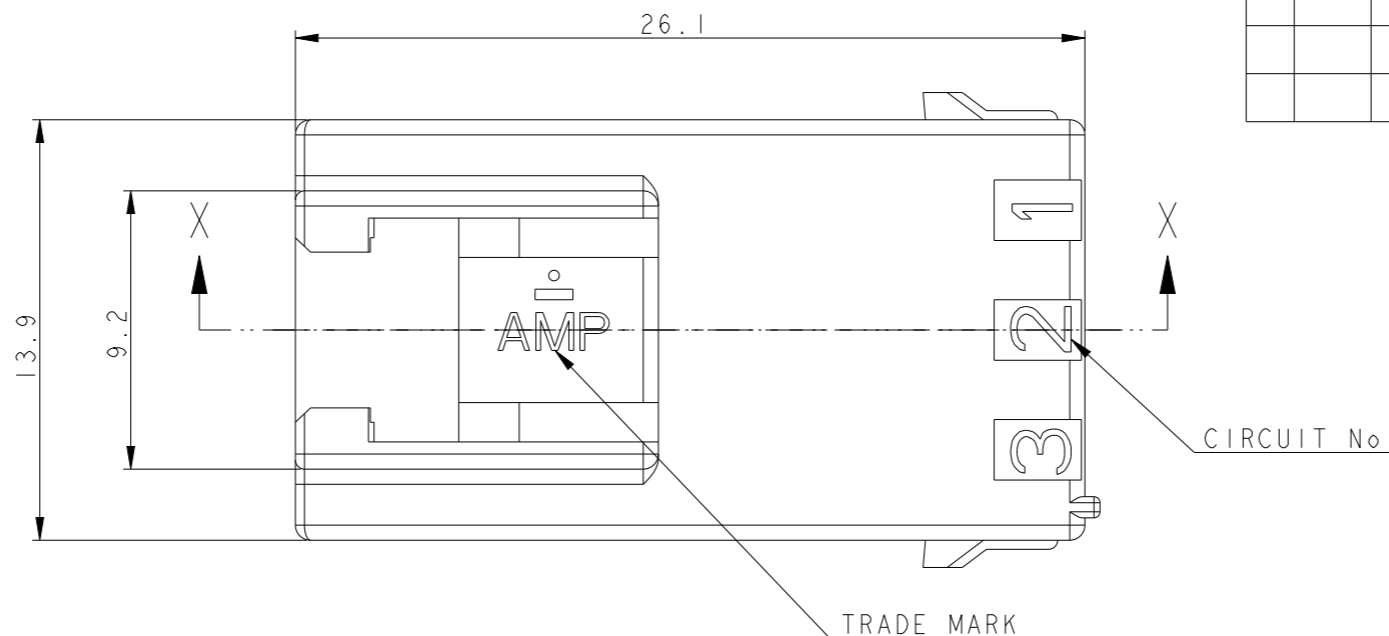


P	LTR	DESCRIPTION	DATE	DWN	APVD
	B4	REVISED PER ECR-22-134264	30MAR2022	SC	D.Z



NOTES,

1. APPLICABLE TAB TERMINAL:

- TAB CONTACT: 177917-□ (AWG#16-#20)
- 177916-□ (AWG#22-#26)

2. MATING CONN. P/N

- PLUG HSG: 368571-□
- REC CONTACT: 177915-□, □-2232901-□ (AWG#16-#20)
- 177914-□, □-2232902-□ (AWG#22-#26)

3. APPLICABLE DOUBLE LOCK PLATE: 177919-1

4. GENERAL TOLERANCES: ±0.3

- 5. MATERIAL: PA66, UL94V-0, COMPLY WITH GLOW WIRE REQUIREMENT FOR PARTS OF NON-METALLIC MATERIAL SUPPORTING A CURRENT-CARRYING CONNECTION DETAILED IN IEC 60335-1, SECTION 30(GWT)

368572-9	BLACK
368572-6	BLUE
368572-4	YELLOW
368572-2	RED
368572-1	NATURAL
P/N	COLOR

THIS DRAWING IS A CONTROLLED DOCUMENT.		DWN SC KIM	TE Connectivity	
DIMENSIONS: mm		CHK BW KANG		
		APVD JK SONG	NAME PDL 3P CAP HSG 3.96mm F/H (GWT)	
		PRODUCT SPEC 108-5410	SIZE A3	CAGE CODE 00779
MATERIAL 5		FINISH -	APPLICATION SPEC 114-5175	RESTRICTED TO
		WEIGHT -	CUSTOMER DRAWING	SCALE 2:1
			SHEET 1 OF 2	REV B4

THIS DRAWING IS UNPUBLISHED.

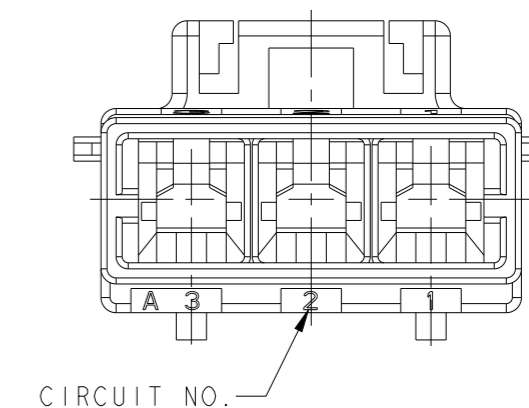
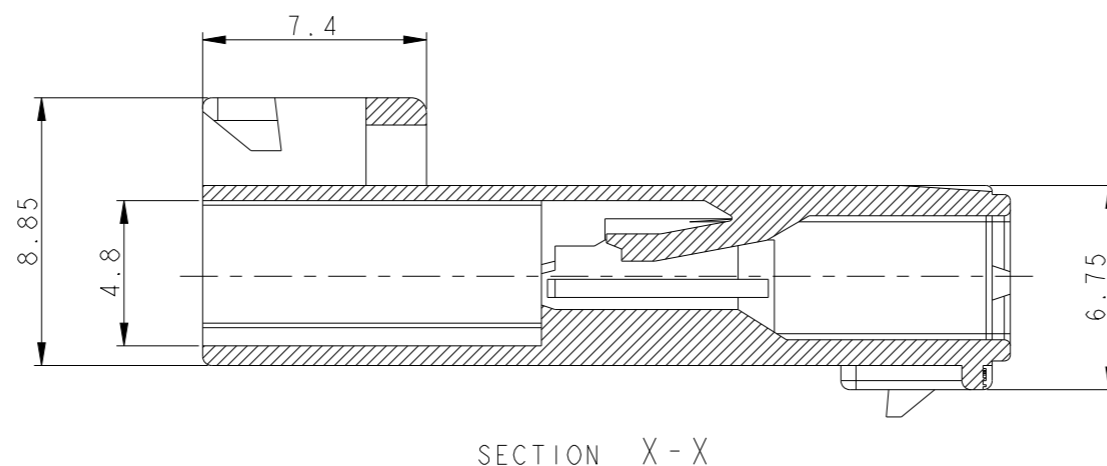
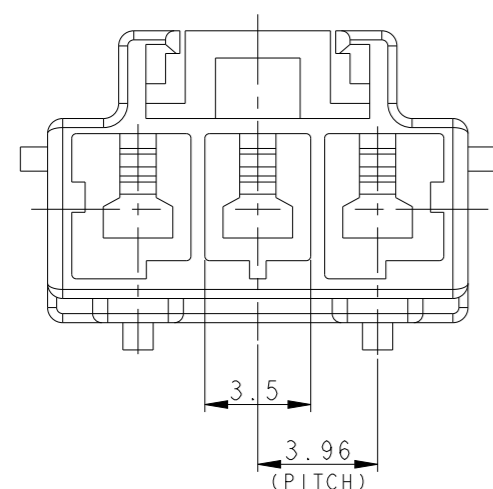
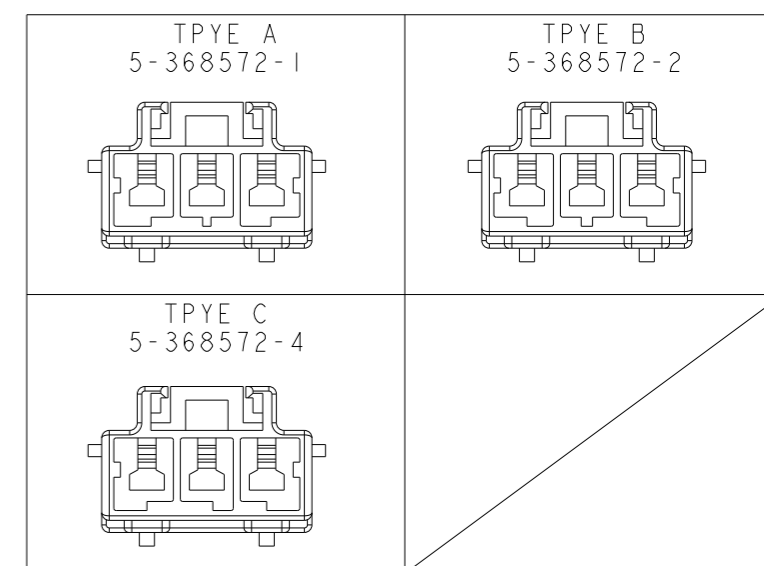
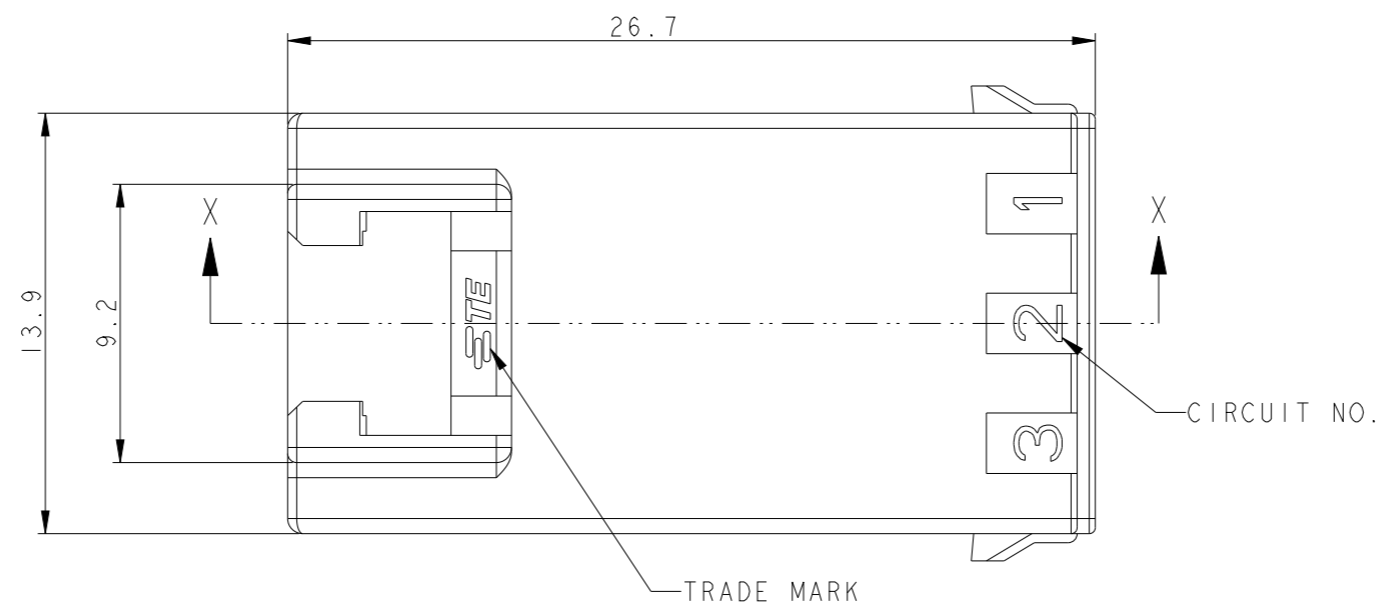
RELEASED FOR PUBLICATION

20

REVISIONS

© COPYRIGHT 20 BY - ALL RIGHTS RESERVED.

P	LTR	DESCRIPTION	DATE	DWN	APVD
		SEE SHEET 1			



NOTES,

- APPLICABLE TAB TERMINAL:
-TAB CONTACT: 177917-□, 2369503-□ (AWG#16-#20)
177916-□, 2369502-□ (AWG#22-#26)
- MATING CONN.P/N:
-PLUG HSG: 5-368571-□
-REC CONTACT: 1743729-□, 2369500-□, □-2232901-□ (AWG#16-#20)
: 1743728-□, 2369501-□, □-2232902-□ (AWG#22-#26)
- APPLICABLE DOUBLE LOCK PLATE:
-FOR AWG#20: 2-2360442-0 AND 2-2360443-0
-FOR AWG#24: 2-2360442-4 AND 2-2360443-4

4.GENERAL TOLERANCES: ±0.3

5. MATERIAL: PA66, UL94V-0,
COMPLY WITH GLOW WIRE REQUIREMENT FOR PARTS OF
NON-METALLIC MATERIAL SUPPORTING A CURRENT-CARRYING
CONNECTION DETAILED IN IEC 60335-1, SECTION 30(GWT)

6.UNEVEN COLORING MAY APPEAR DUE TO COLOR BLENDING.

C	YELLOW	5-368572-4
B	RED	5-368572-2
A	NATURAL	5-368572-1
KEYING	COLOR	P/N

THIS DRAWING IS A CONTROLLED DOCUMENT.		DWN SC KIM	27APR2020	TE Connectivity	
DIMENSIONS: mm		CHK -			
TOLERANCES UNLESS OTHERWISE SPECIFIED: 0 PLC ±. 1 PLC ±. 2 PLC ±. 3 PLC ±. 4 PLC ±. ANGLES ±. FINISH -		APVD DANIEL ZHANG	27APR2020	NAME FOAMING PROOF CAP HSG 3P	
		MATERIAL 5		PRODUCT SPEC 108-5410	DRAWING NO 114-5175
		WEIGHT -		SIZE A3	CAGE CODE 00779
		CUSTOMER DRAWING	SCALE 4:1	DRAWING NO C-368572	RESTRICTED TO
			SHEET 2	OF 2	REV B4