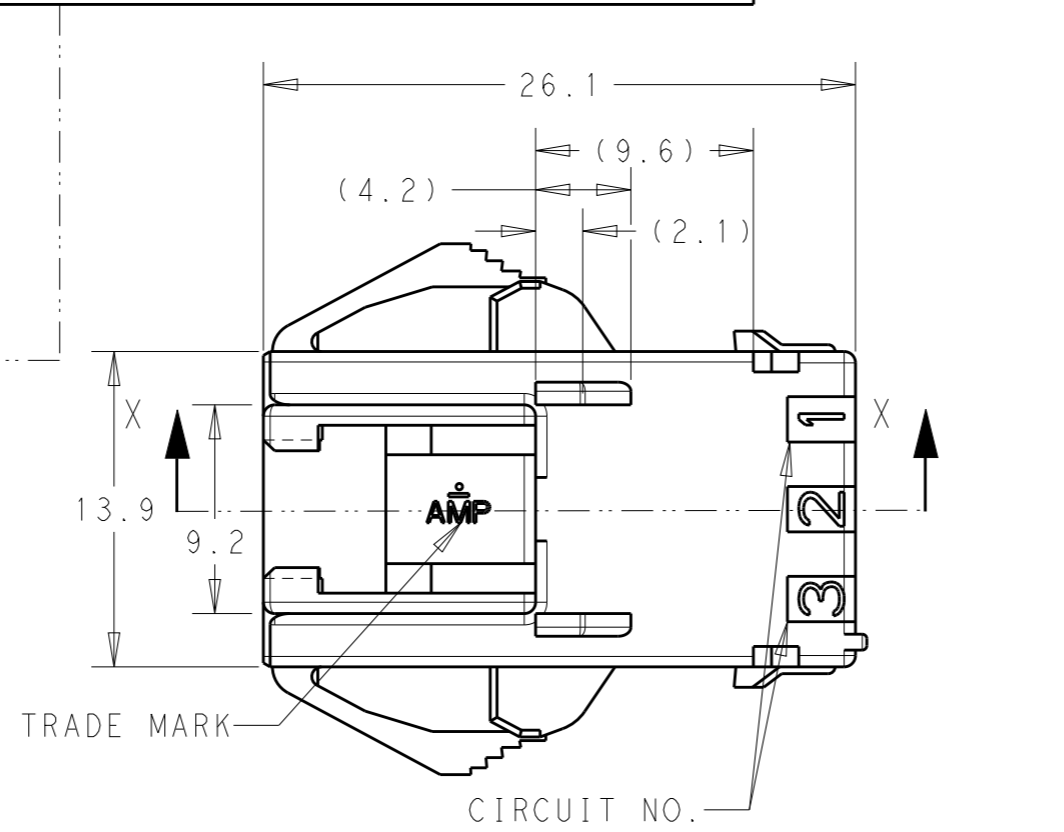
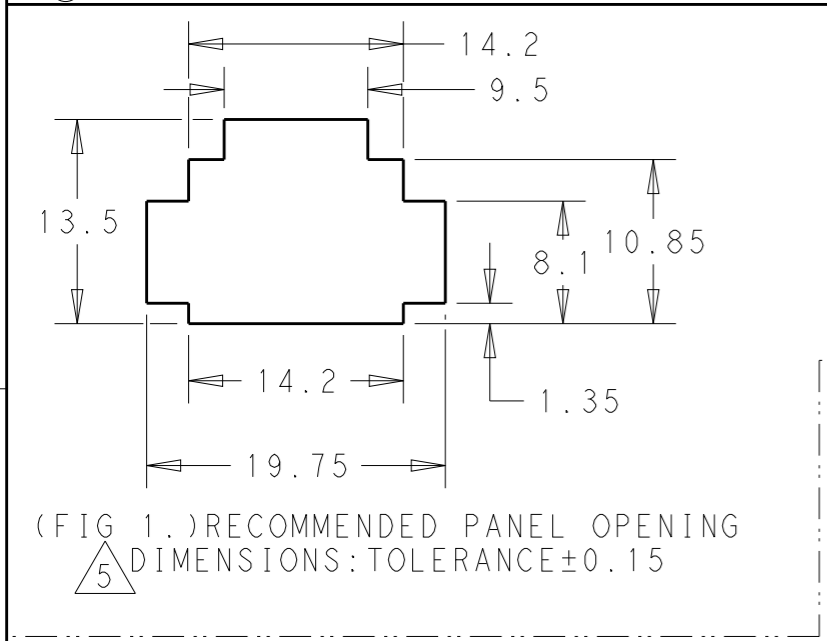
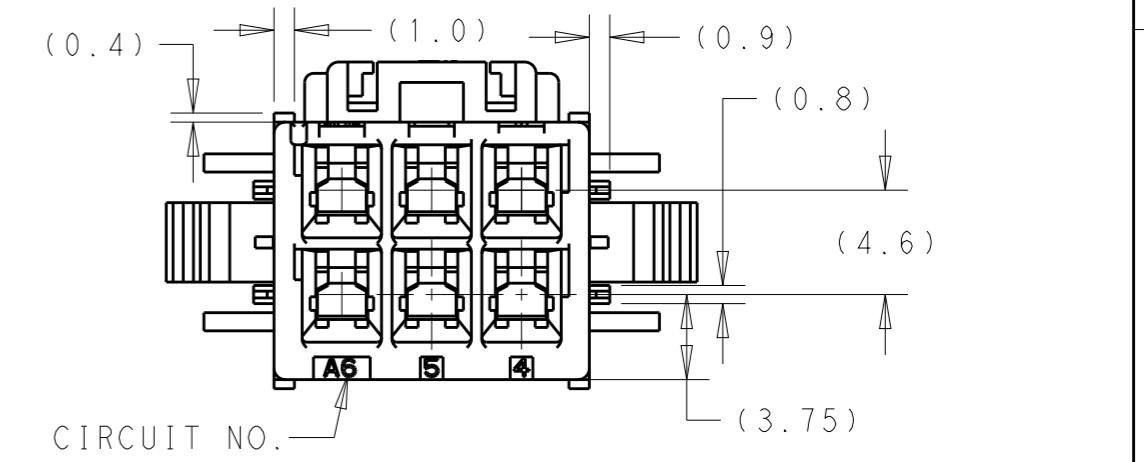
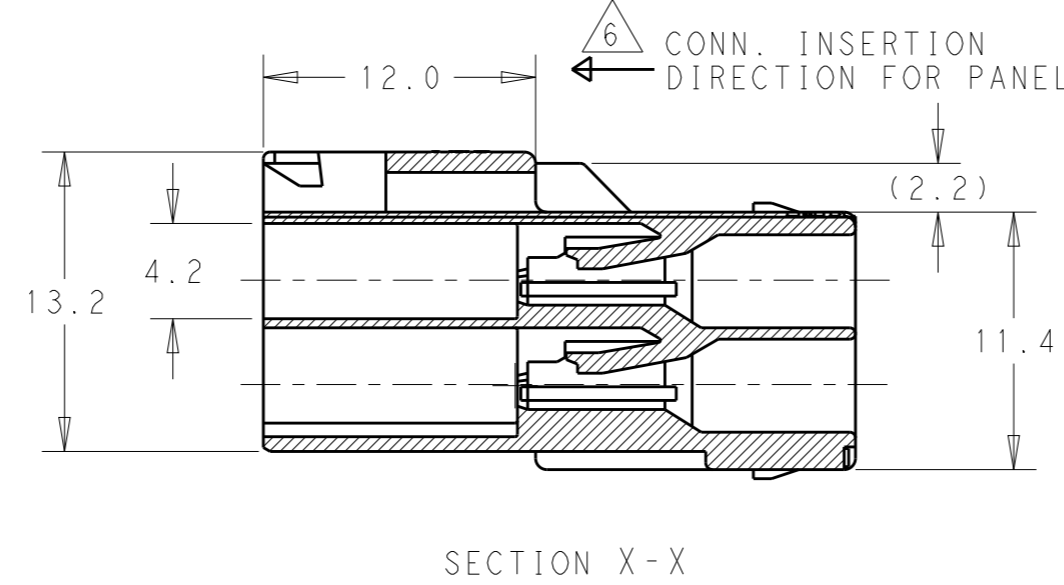
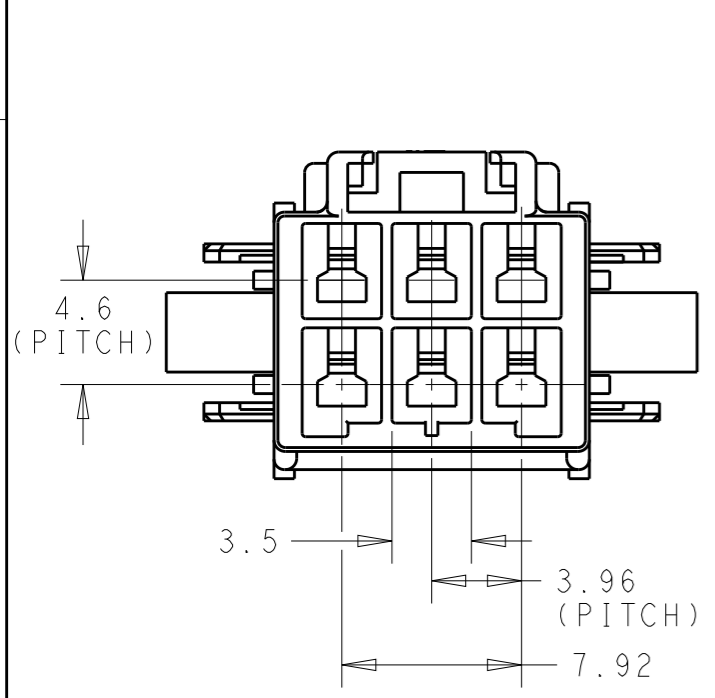


THIS DRAWING IS UNPUBLISHED. RELEASED FOR PUBLICATION 20
 © COPYRIGHT 20 BY - ALL RIGHTS RESERVED.

REVISIONS					
P	LTR	DESCRIPTION	DATE	DWN	APVD
A		RELEASED	14MAR'07	SC	JK
B		REVISED PER ECR-09-011788	25MAY'09	SC	JK
C		REVISED PER ECR-19-009721	01JUL2019	M.G	D.Z



- THIS HOUSING ACCEPTS TAB TERMINAL:
 -TAB CONTACT: 177917-□ (AWG#16-#20)
 177916-□ (AWG#22-#26)
- MATING CONN. P/N
 -PLUG HSG: 368576-□
 -REC CONTACT: 177915-□ (AWG#16-#20)
 177914-□ (AWG#22-#26)
- APPLICABLE DOUBLE LOCK PLATE: 177919-1
 * IT SHOULD BE USED CERTAINLY WHEN CABLE ASS'Y
- GENERAL TOLERANCES: ±0.3
- APPLICABLE PANEL THICKNESS: 0.8~2.0 (SEE FIG.1)
- INSERT CONN. FROM PRESS DIRECTION SIDE FOR METAL PANEL.
- EDGE OF THICKNESS MAY MUST DOT ROUND FOR MOLDED PANEL.
- MATERIAL: PA66, UL94V-0
 COMPLY WITH GLOW WIRE REQUIREMENT FOR PARTS OF
 NON-METALLIC MATERIAL SUPPORTING A CURRENT-CARRYING
 CONNECTION DETAILED IN IEC 60335-1, SECTION 30(GWT)



BLUE	368588-6
YELLOW	368588-4
NATURAL	368588-1
COLOR	PART NUMBER

THIS DRAWING IS A CONTROLLED DOCUMENT.		DWN SC KIM	TE Connectivity	
DIMENSIONS: mm		CHK BW KANG		
TOLERANCES UNLESS OTHERWISE SPECIFIED:		APVD JK SONG	NAME PDL 6P CAP HSG 3.96mm D/R P/M (GWT)	
0 PLC ± 1 PLC ± 2 PLC ± 3 PLC ± 4 PLC ± ANGLES ±		PRODUCT SPEC 108-5410	SIZE A3	
MATERIAL		APPLICATION SPEC 114-5175	CAGE CODE 00779	DRAWING NO C-368588
FINISH		WEIGHT -	RESTRICTED TO	
		CUSTOMER DRAWING		SCALE 3:1
		SHEET 1 OF 1		REV C