

TPA Must Be in Pre-Set (Unlocked) Position Before Inserting Any Terminals

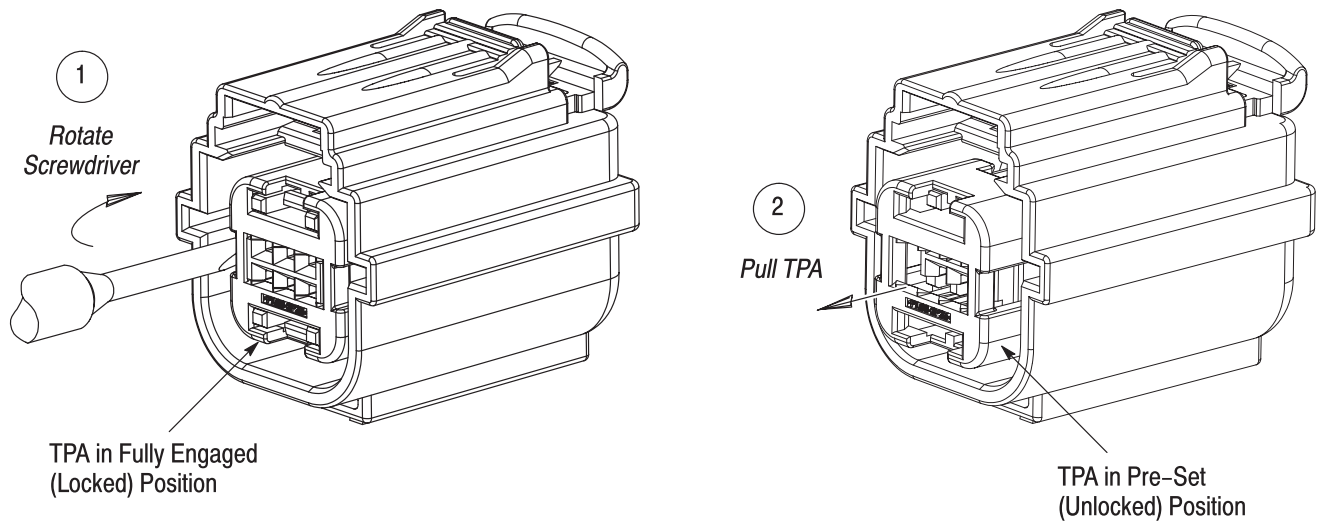


Figure 1

1. INTRODUCTION

This instruction sheet provides instruction for repositioning the TPA of a 6-position 0.64 Sealed Inline Plug Assembly (reference part number 1924211-1).

The plug assembly is shipped with the TPA in the pre-set (unlocked) position; however, during shipping and handling, the TPA could be displaced to the fully engaged (locked) position. Refer to Figure 1.

If the TPA becomes fully engaged (locked), it must be repositioned to the pre-set (unlocked) position *before* inserting any terminals into the circuit cavities.

2. REPOSITIONING TPA

Move the TPA to the pre-set (unlocked) position as follows:

1. Insert the tip of a flat-blade screwdriver into the center cutout of the TPA, and rotate the screwdriver toward the outside of the housing until the TPA is disengaged.
2. Pull the TPA from, but not out of, the housing.

3. REVISION SUMMARY

- Initial release of instruction sheet